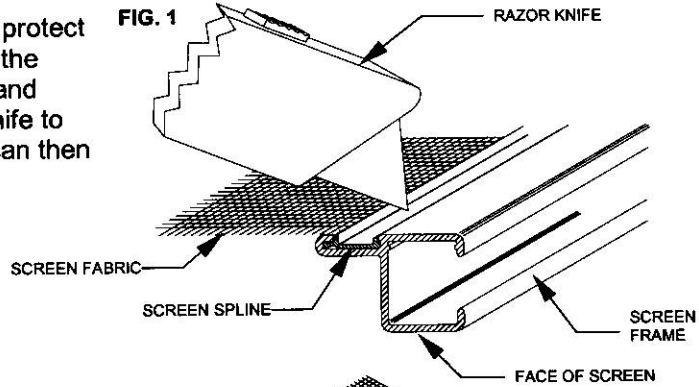


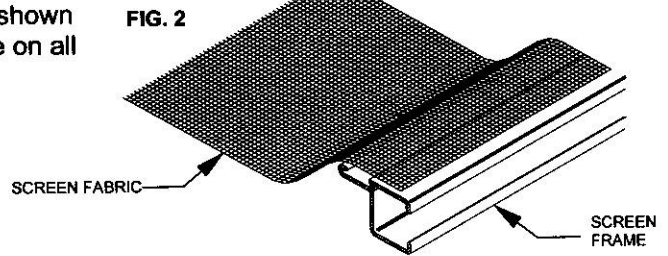
# SCREEN REPLACEMENT KIT INSTRUCTIONS

NOTE: THE FOLLOWING TOOLS ARE RECOMMENDED:  
 RAZOR KNIFE  
 GROOVED SCREEN ROLLER  
 REGULAR SCREW DRIVER  
 PLIERS

**STEP 1:** Lay the screen face down on a large flat surface that will protect the paint and support the frame, such as a carpeted floor. Before the new screen fabric and spline can be installed, all of the old fabric and spline must be removed. To remove the old spline, use a razor knife to cut the spline in half as shown in FIG. 1. Using pliers, the spline can then be pulled from the track in the frame.

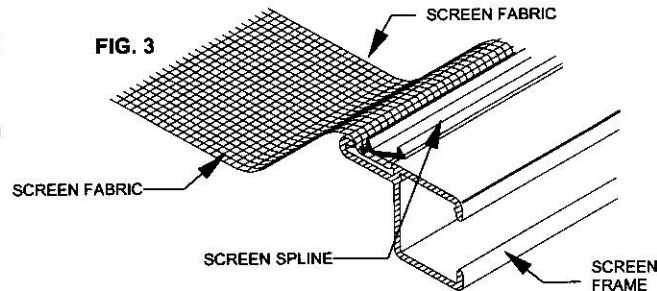


**STEP 2:** Lay the new fabric on the backside of the screen frame as shown in FIG. 2. Center the fabric on the frame, it should overlap the frame on all sides.

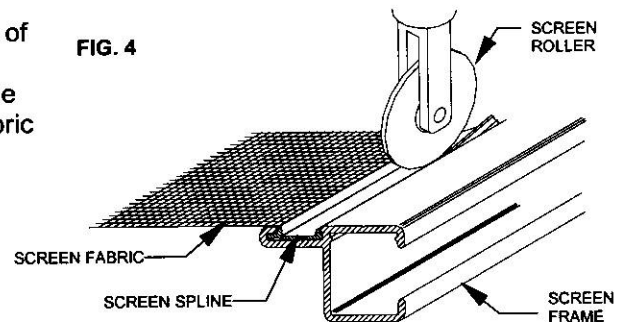


**STEP 3:** Starting across the top or bottom of the frame, hold fabric in place and tilt spline into track as shown in FIG. 3.

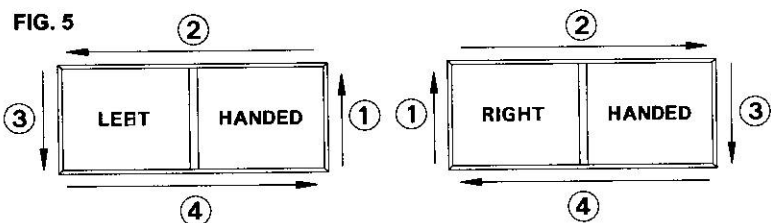
**IMPORTANT! BE SURE THAT SCREEN FABRIC IS POSITIONED PROPERLY BEFORE PROCEEDING.**



**STEP 4:** Starting at one corner, run a screen roller down the back ridge of the spline to snap it into place as shown in FIG. 4. Continue to push spline into track while snapping it into place with roller until you reach the end. Cut the spline off flush with the edge of the screen frame. The fabric should be locked into place.



**STEP 5:** Repeat Steps 3 & 4 to install spline in the remaining sides of the frame. Refer to FIG 5 for suggested order of spline installation shown for left handed and right handed persons. At position 3 in FIG. 5, it is recommended that another person help hold the screen fabric tight while installing the spline. After spline is installed, carefully trim the excess fabric along the back ridge of spline next to the screen frame.



**EMCO ENTERPRISES, INC.**

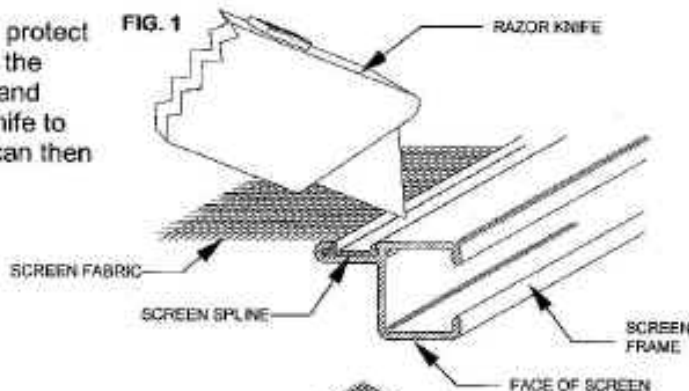
P.O. Box 853  
 Des Moines, Iowa 50304  
 1-800-933-3626

P/N 971086  
 PRINTED 1-02

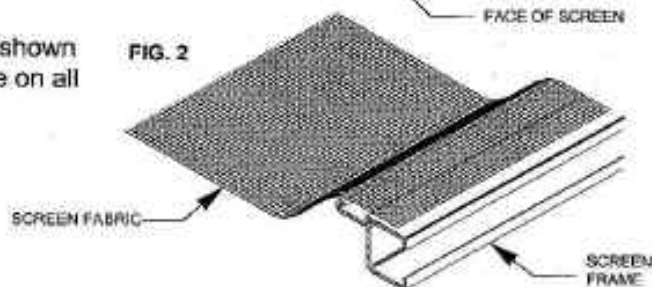
# FOREVER VIEW SCREEN REPLACEMENT KIT INSTRUCTIONS

NOTE: THE FOLLOWING TOOLS ARE RECOMMENDED:  
RAZOR KNIFE  
GROOVED SCREEN ROLLER  
REGULAR SCREW DRIVER  
PLIERS

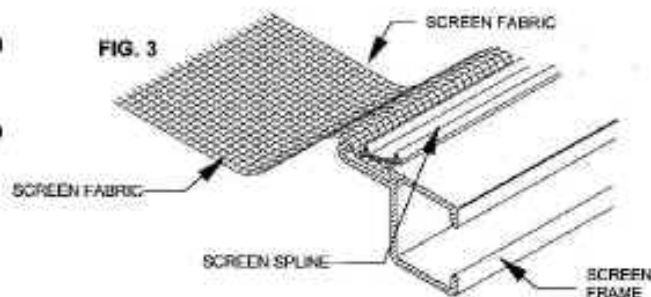
**STEP 1:** Lay the screen face down on a large flat surface that will protect the paint and support the frame, such as a carpeted floor. Before the new screen fabric and spline can be installed, all of the old fabric and spline must be removed. To remove the old spline, use a razor knife to cut the spline in half as shown in FIG. 1. Using pliers, the spline can then be pulled from the track in the frame.



**STEP 2:** Lay the new fabric on the backside of the screen frame as shown in FIG. 2. Center the fabric on the frame, it should overlap the frame on all sides.

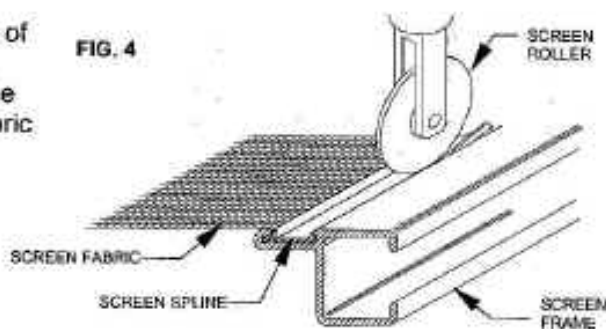


**STEP 3:** Starting across the top or bottom of the frame, hold fabric in place and tilt spline into track as shown in FIG. 3.

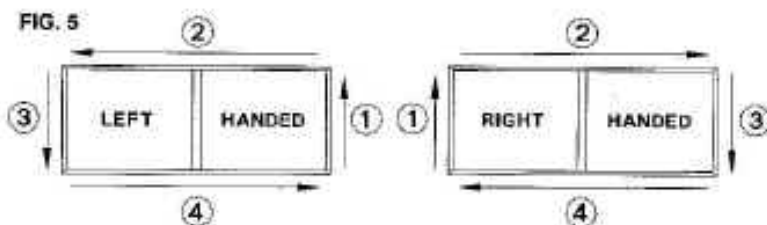


**IMPORTANT! BE SURE THAT SCREEN FABRIC IS POSITIONED PROPERLY BEFORE PROCEEDING.**

**STEP 4:** Starting at one corner, run a screen roller down the back ridge of the spline to snap it into place as shown in FIG. 4. Continue to push spline into track while snapping it into place with roller until you reach the end. Cut the spline off flush with the edge of the screen frame. The fabric should be locked into place.



**STEP 5:** Repeat Steps 3 & 4 to install spline in the remaining sides of the frame. Refer to FIG 5 for suggested order of spline installation shown for left handed and right handed persons. At position 3 in FIG. 5, it is recommended that another person help hold the screen fabric tight while installing the spline. After spline is installed, carefully trim the excess fabric along the back ridge of spline next to the screen frame.



EMCO SPECIALTIES, INC.

P.O. Box 853  
Des Moines, Iowa 50304  
1-800-933-3626

P/N 971086  
PRINTED 3-91