

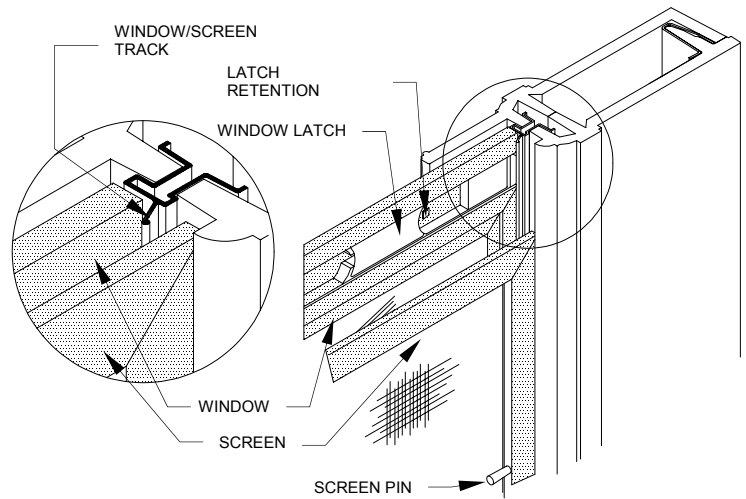
# SCREEN AND WINDOW REPLACEMENT INSTRUCTIONS:

## REMOVAL OF SCREEN:

**Care must be taken not to tear the vinyl screen/window track** when removing the screen and window. Raise the screen so that its top is in the middle of the window opening. Retract both top pins and pull one corner out at a time. Now raise the screen so that its bottom clears the bottom of the window opening. Remove the screen from the track, one corner at a time.

## INSTALLATION OF SCREEN:

Locate the screen so that the bottom of the screen clears the window opening. Push one corner of the screen in at a time. Lower the screen until the top of the screen is in the middle of the window opening. Retract both top pins and insert the screen, one corner at a time. When properly inserted, the screen pins should ride in the door track as shown.



## REMOVAL OF WINDOW:

Raise the window so that its top is in the middle of the window opening. Retract both top latches\* and pull one corner of the window out of the track at a time. Now raise the window so that its bottom clears the bottom of the window opening. Retract both bottom latches\* and remove the window from the track, one corner at a time.

## INSTALLATION OF WINDOW:

Retract the lower latches and place the bottom of the window into the window track, one corner at a time. With the bottom latches retracted, lower the window down slowly into the door until the bottom of the window is even with the bottom of the window opening. Let the latches extend to engage the track. **CAUTION: Extreme care must be taken to ensure that the window goes down evenly and that the bottom of the window does not tear the flexible seal.** When the top of the window is in the middle of the window opening, retract both top latches. Push the top of the window into the window track, one corner at a time, and let latches extend to engage the track. Slide the window up and down to ensure that the window is completely engaged in its track as shown.

**\*NOTE: In some doors or during cold weather, you may encounter some difficulty in retracting the window latches back far enough to clear the window track. If this is the case, you will have to force the window latches over the latch retention bumps on the window frame (see diagram). Be sure to move the latches back to the correct position after placing the window back in the door.**

**EMCO SPECIALTIES, INC.**

P.O. Box 853  
Des Moines, Iowa 50304  
1-800-933-3626

P/N 970471  
REVISED 6/92