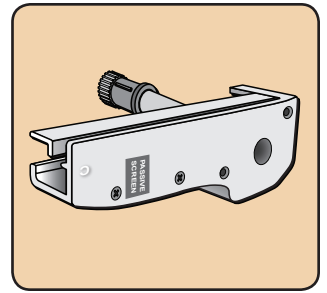


Installation Guide

Replacement Passive Damper Endcap for Andersen® LuminAire® Retractable Insect Screen Double Door

For installation help please visit www.AndersenLuminAire.com/install



Please Do Not Return Product to Store!

PLEASE call the Storm Door Solution Center at 844-813-6664, with any questions regarding installation, lost part replacement, or anything else related to your retractable insect screen purchase. Replacement parts can also be found at: parts.andersenstormdoors.com

Read this entire guide before you begin your installation. If your abilities do not match the requirements of this installation, contact an experienced contractor.

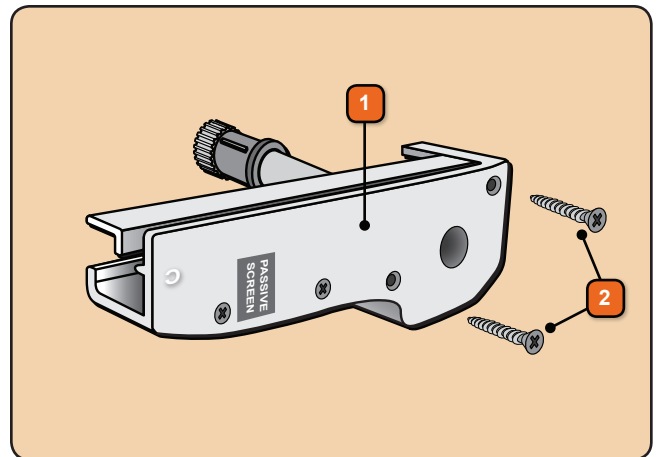
DOUBLE DOOR PARTS OVERVIEW

Your replacement part should contain the following parts.

- 1 Passive Damper Endcap (C)
- 2 Passive Endcap Screws

NOTICE

To avoid product damage, be sure to place all parts of your retractable insect screen on a soft non-abrasive surface such as carpet, drop cloth placed on your lawn or cardboard.



SAFETY FIRST: Please read and follow all Cautions and Warnings in this guide.

WARNING
 Follow manufacturers' instructions for hand and power tools. Always wear safety glasses. Failure to do so could result in injury, product or property damage.

WARNING
 Windows and doors can be heavy. Use safe lifting techniques and a reasonable number of people with enough strength to lift, carry, and install window and door products. Heavier windows and doors will require mechanical assistance. Failure to do so could result in injury, product or property damage.

CAUTION
 Metal components of the retractable insect screen may become hot when exposed to sunlight.

WARNING
 Metal fasteners and components could corrode when exposed to preservative-treated or fire-retardant treated lumber. Use approved fasteners and components to fasten window or door. Failure to do so could cause a failure resulting in injury, product or property damage.

IMPORTANT
 The retractable insect screen is intended for reasonable insect control and not the retention of objects, persons, or pets within the interior. The retractable insect screen will not stop a person from falling through the door.

Fastener must attach to a structural framing member with a 1" minimum fastener embedment. Failure to do so could result in injury, product or property damage.
DO NOT remove screws that attached installation clips or gusset plates to window or door frames. Doing so could result in injury, product or property damage.

RECOMMENDED TOOLS

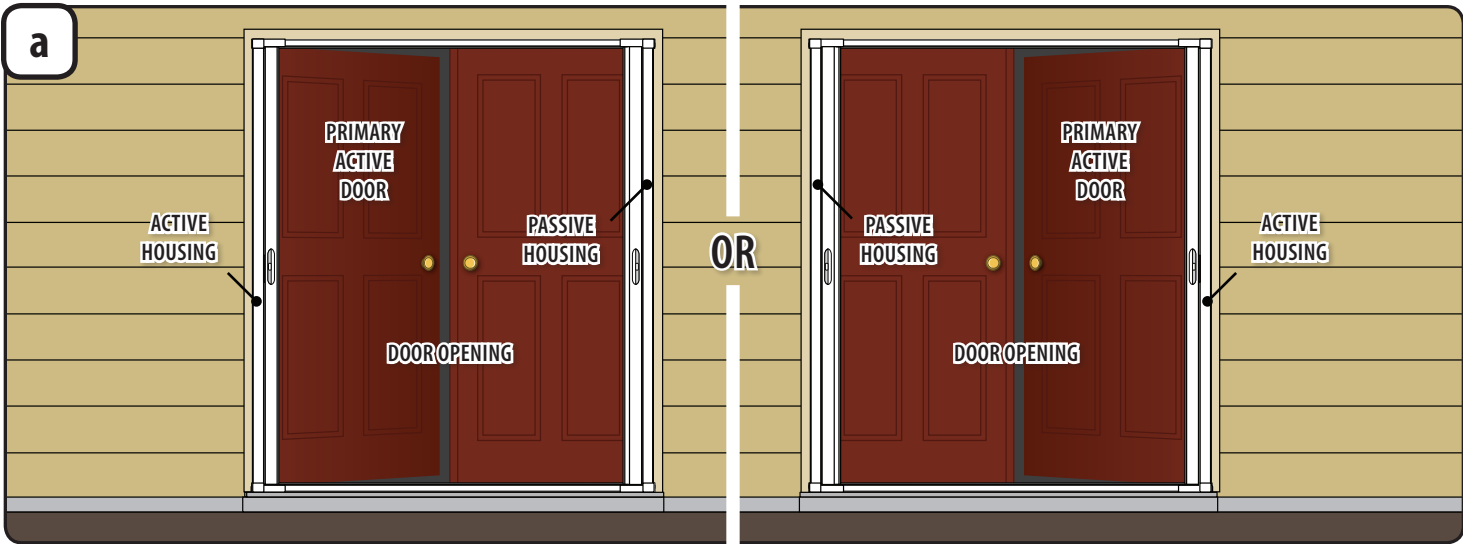
Drill, #2 Phillips Bit, Screwdrivers, Sealant, Safety Glasses, Soft Cloth, Work Gloves

Signal Word and Consequence

This is the Safety Alert Symbol used to alert you to potential injury hazards. Obey all safety messages that follow this symbol to avoid possible injury or death.

COULD Result in:	WARNING Major Injury / Death	COULD Result in:	CAUTION Minor Injury
COULD Result in:	NOTICE Product or Property Damage		IMPORTANT Procedure and Product Information

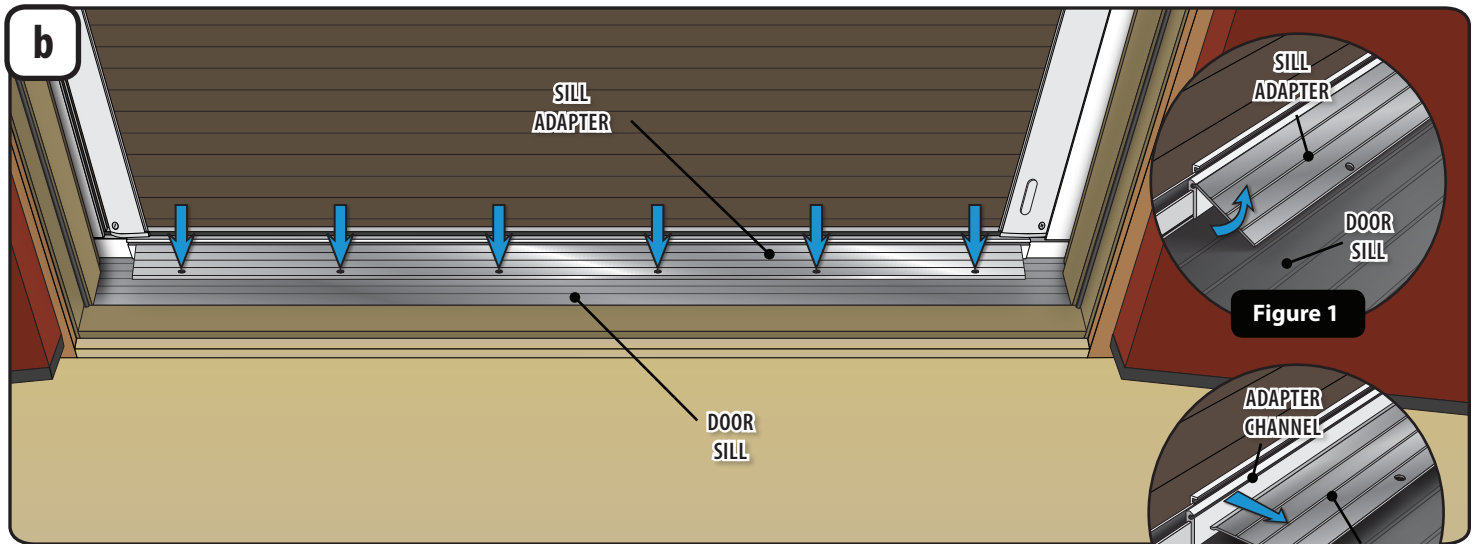
1 REMOVAL Tools Recommended: #2 Phillips Bit



NOTICE
 To avoid product damage. It is recommended to use two (2) people to uninstall and reinstall double door unit into the door opening.

a1 From the exterior of the screen assembly, take note of the screen assemblies orientation. This is the orientation the screen assembly should be in when reinstalled.

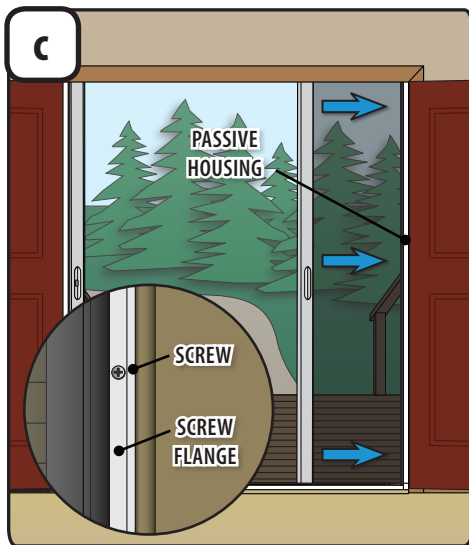
1 REMOVAL - Continued



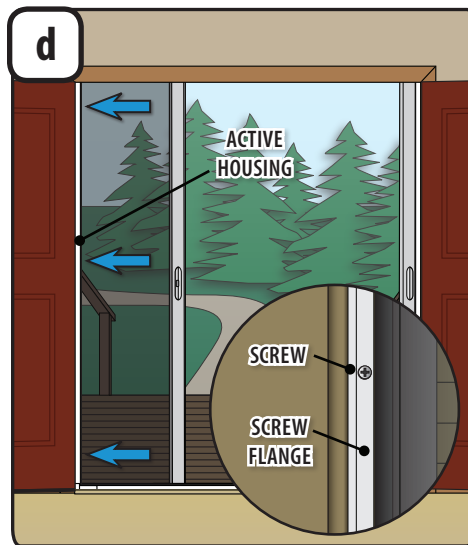
b1 From the interior of the screen assembly, remove the six screws from the **Sill Adapter**. Save screws for reinstallation.

b2 Rotate **Sill Adapter** up and pull out of **Adapter Channel** (see **Figure 1 & 2**)

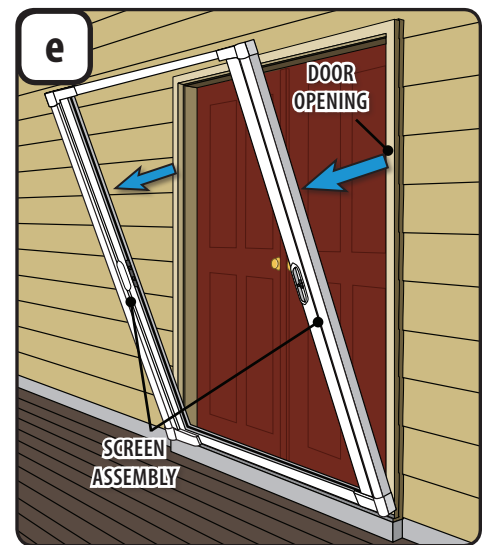
b3 Save the **Sill Adapter** for reinstallation in future step.



c1 From the interior extend the screen from the **Passive Housing** so it is clear of your drill/driver. Remove the three screws from the **Screw Flange**, save screws for reinstallation.



d1 Extend the screen from the **Active Housing** so it is clear of your drill/driver. Remove the three screws from the **Screw Flange**, supporting the screen assembly as needed. Save screws for reinstallation.



e1 Carefully tip and lift **Screen Assembly** out of **Door Opening** and place it flat with the interior side facing up on a non-abrasive surface.

2

REPLACE PASSIVE HOUSING DAMPER ENDCAP

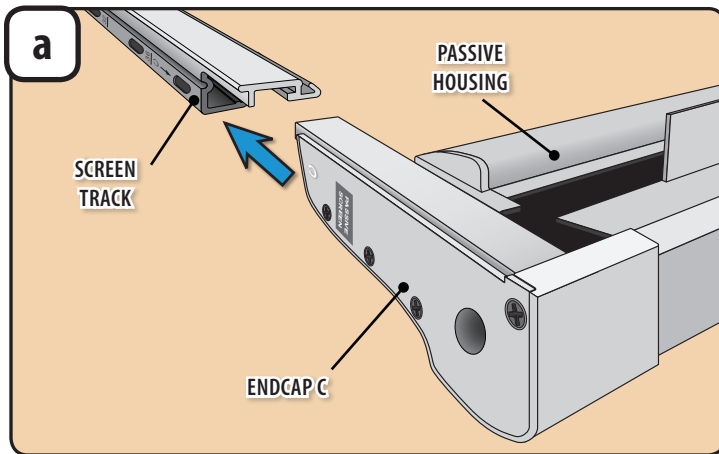
Tools Recommended:



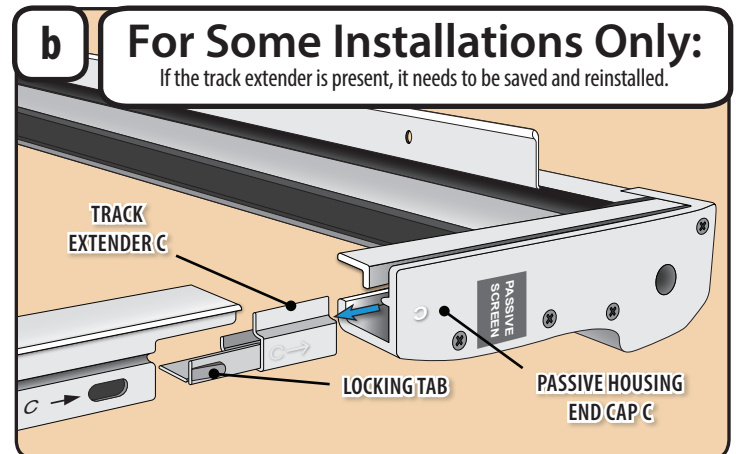
Screwdriver

#6-1 3/4"

(Qty 2)



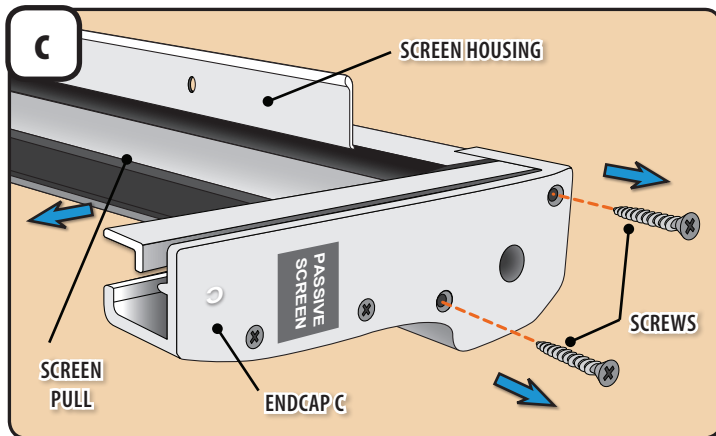
a Carefully slide the Passive Housing off of the Screen Tracks, both top and bottom endcaps, C and A.



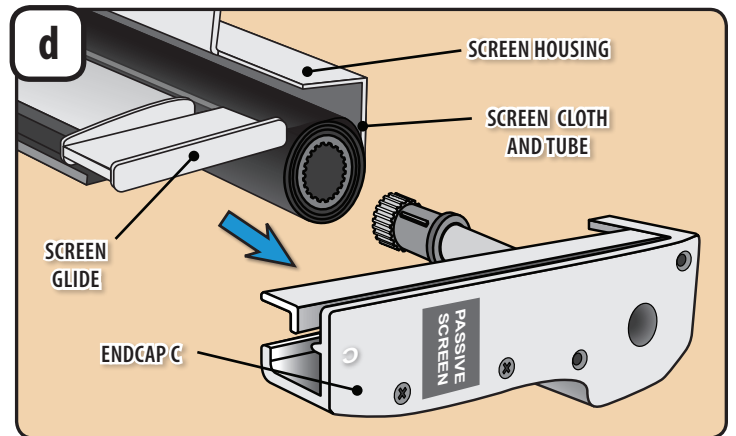
For Some Installations Only:

If the track extender is present, it needs to be saved and reinstalled.

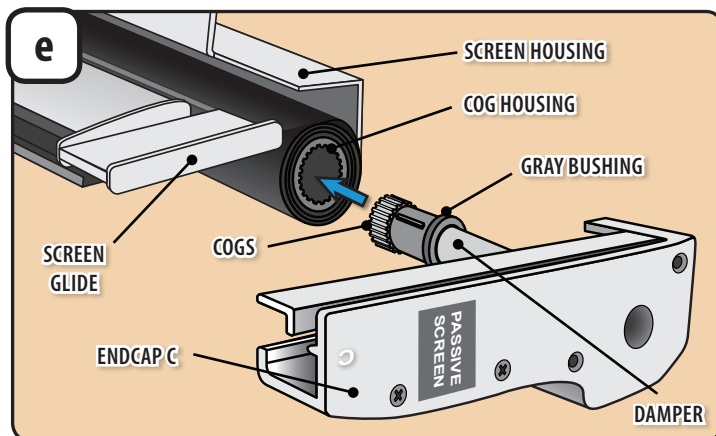
b Check to see if Track Extenders are used. If present slide both Track Extender out of the endcaps and set aside to be reinstalled in later step.



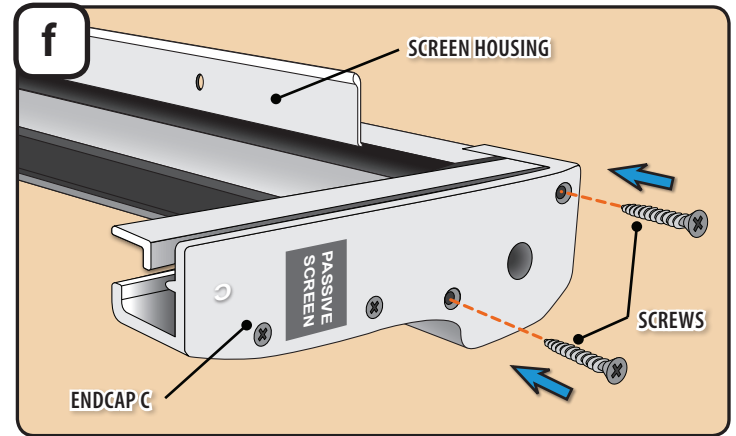
c1 With a Phillips Screwdriver remove the two right hand screws on Endcap C from the Screen Housing.
c2 Extend the Screen Pull until the screen glide is out of Endcap C.



d With screen glide free, slide Endcap C off the Screen Housing and dispose of properly being careful not to pull the Screen Cloth and Tube out of the Screen Housing.



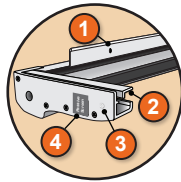
e1 Slide the Gray Bushing to the end of the Damper, aligning Gray Bushing and Cogs with the Cog Housing in the screen roll.
e2 Slide Endcap C onto the Screen Housing, extending screen enough to slide Screen Glide back into Endcap C.



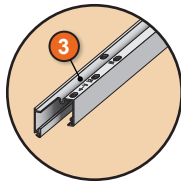
f With a Phillips Screwdriver replace the two right hand screws on Endcap C on the Screen Housing.

3

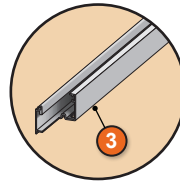
REASSEMBLE SCREEN TRACKS & HOUSINGS



Passive Housing



Screen Track



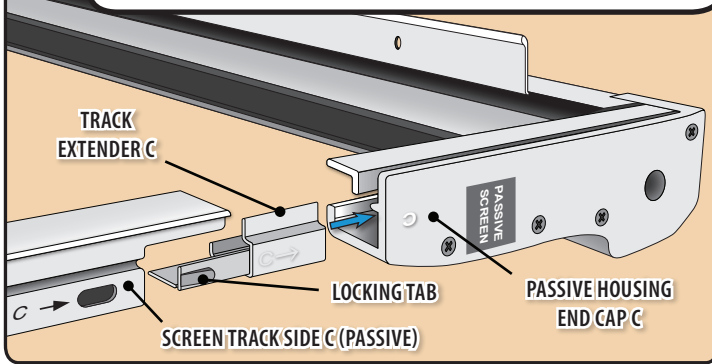
Screen Track

KEY REFERENCES

- 1 Screw Flanges
- 2 Receiving Tabs
- 3 Letter Labels
- 4 Passive Label

a For Some Installations Only:

If the track extender is present, it needs to be saved and reinstalled.



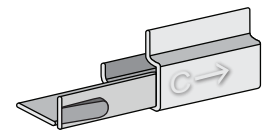
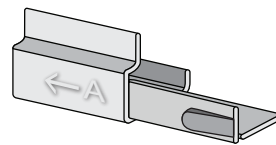
- a If your installation required the Track Extender, position the thicker end of the Track Extender C toward Passive Housing End Cap C with the Locking Tab toward the Screen Track.

Track Extenders for Passive Housing

Not all openings require the use of Track Extenders. They are for reinforcing the screen assembly at the wider ranges of the configuration. The track extenders can not be used at narrower configurations as screen interference will occur. The chart below details when and when not to use screen extenders.

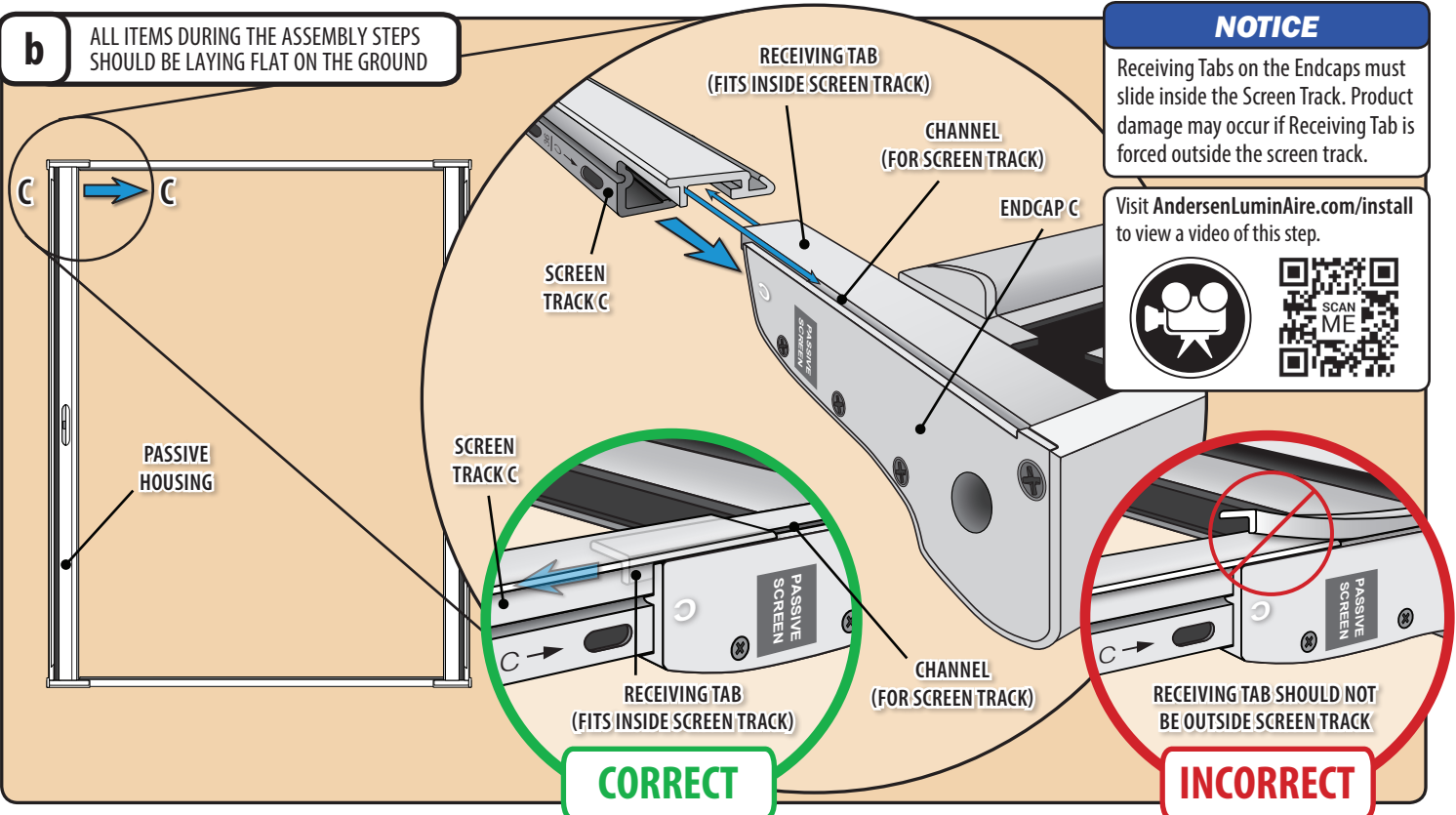
Opening Width	Configuration	Track Extender
71" – 72"	72" Config.	Yes - Needed
70" – 70 15/16"	72" Config.	Not needed
69" – 69 15/16"	68" Config.	Yes - Needed
Less than 69"	68" Config.	Not needed

Track Extender A



Track Extender C

b ALL ITEMS DURING THE ASSEMBLY STEPS SHOULD BE LAYING FLAT ON THE GROUND



NOTICE

Receiving Tabs on the Endcaps must slide inside the Screen Track. Product damage may occur if Receiving Tab is forced outside the screen track.

Visit AndersenLuminAire.com/install to view a video of this step.



CORRECT

INCORRECT

- a1 With the screen assembly laying flat on a non-abrasive surface, with the side labeled **Interior** facing up. Leave the screen in the retracted position.
- a2 Slide the **Receiving Tab** on **Endcap C** inside the **Screen Track**. Make sure the **Receiving Tab** fits inside the **Screen Track**, and the **Screen Track** slides into the **Channel**. (see "correct" above). (Visit AndersenLuminAire.com/Install to view a video of this step.)
- a3 Repeat steps for endcap A. Be sure the screen tracks are all the way into the passive housing.

4

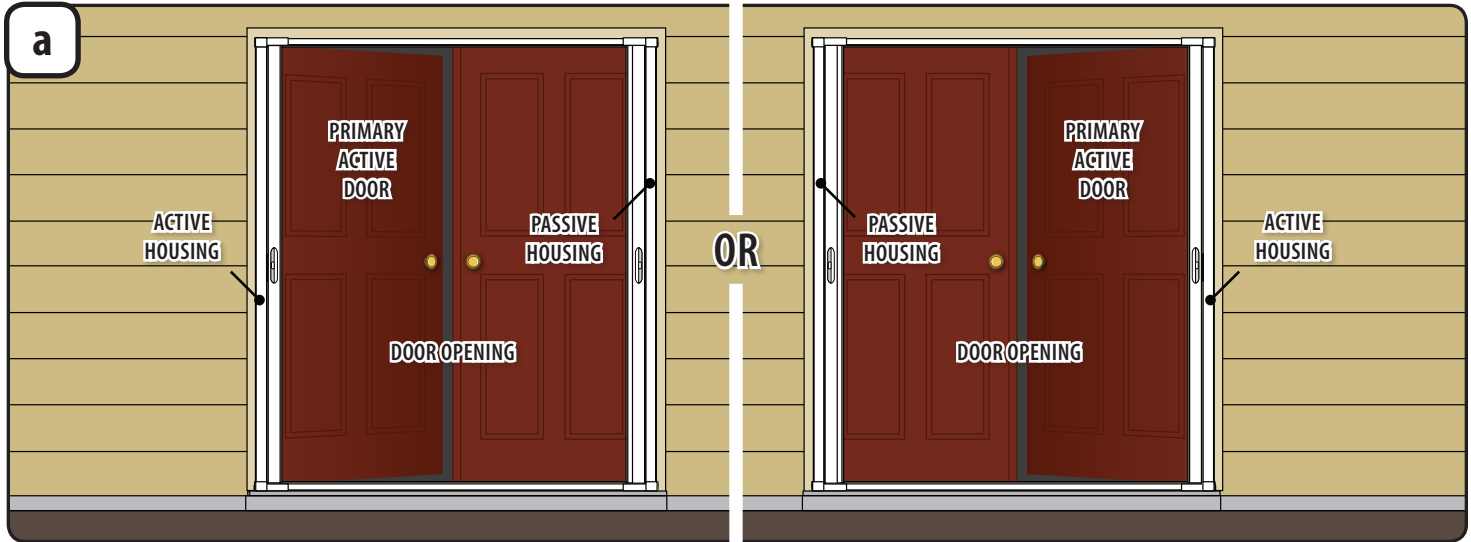
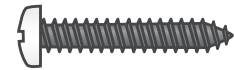
PLACE, FASTEN ASSEMBLY INTO OPENING

Tools Recommended:



REINSTALL SCREWS

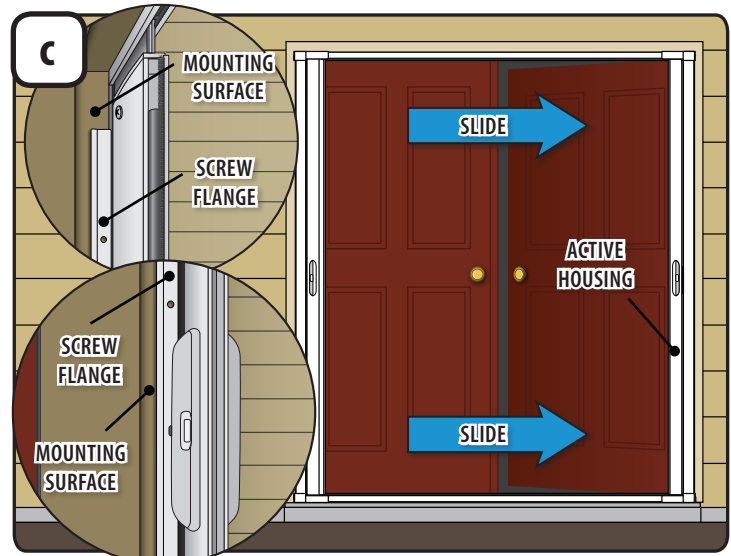
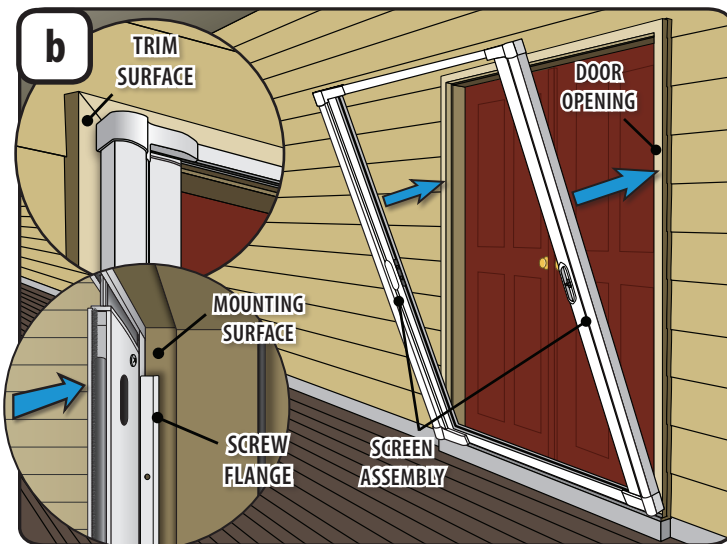
#8-1"
(Qty 6)



a1 With the interior of the screen assembly facing the door opening, rotate the assembly so the **Active Housing** is on the same side of the **Door Opening** as your **Primary Active Door**.

NOTICE

To avoid product damage, it is recommended to use two (2) people to install double door unit into the door opening.



b1 The **Screen Assembly** will be narrower than your opening until fully expanded in the following steps.

b2 Start by placing the **Screen Assembly** onto the exterior **Trim Surface**, with the **Screw Flanges** extending into the **Door Opening**. Rest the bottom of the screen assembly onto your sill or support blocking.

c1 Slide the **Screen Assembly** in the door opening until the **Active Housing** side **Screw Flange** is on the **Mounting Surface**.

c2 Verify the **Screen Assembly** is plum, level and square in the door opening and the **Screen Housing** side **Screw Flange** is tight to **Mounting Surface**.

4

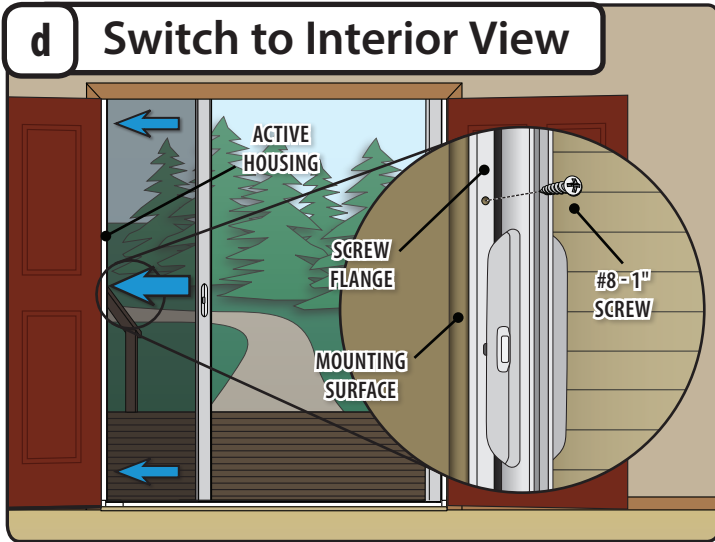
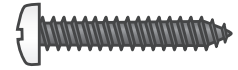
PLACE, FASTEN ASSEMBLY INTO OPENING Continued

Tools Recommended:

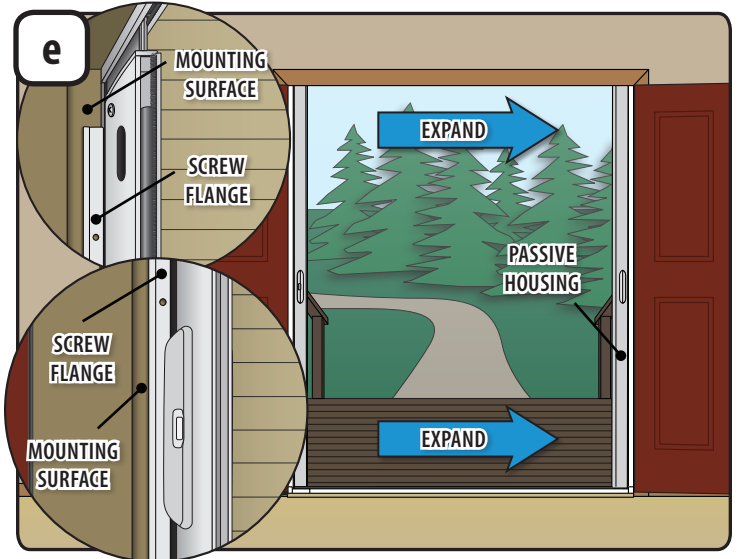


REINSTALL SCREWS

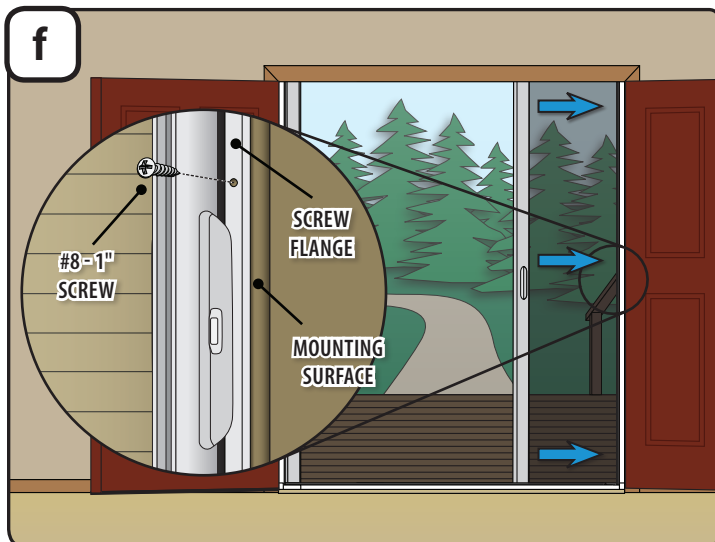
#8-1"
(Qty 6)



- d1** From the interior, while holding the **Active Housing** side **Screw Flange** tight to the **Mounting Surface**, align the three holes on **Screw Flange** with the three existing holes in the **Mounting Surface**.
- d2** With one #8 - 1" screw, fasten **Active Housing** to the **Mounting Surface**. *(Be careful not to overtighten)*
- d3** Repeat steps for top and bottom holes. *(Being careful not to overtighten)*



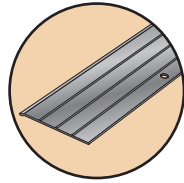
- e1** Expand the screen assembly in the door opening until the **Passive Housing** side **Screw Flange** is on the **Mounting Surface**.
- e2** Verify the screen assembly is plum, level and square in the door opening and the **Passive Housing** side **Screw Flange** is tight to **Mounting Surface**.



- f1** From the interior, while holding the **Passive Housing** side **Screw Flange** tight to the **Mounting Surface**, align the three holes on **Screw Flange** with the three existing holes in the **Mounting Surface**.
- f2** With the three remaining #8 - 1" screws, fasten **Passive Housing** to the **Mounting Surface**. *(Be careful not to overtighten)*

5

PLACE AND FASTEN SILL ADAPTER



Sill Adapter

Tools Recommended:



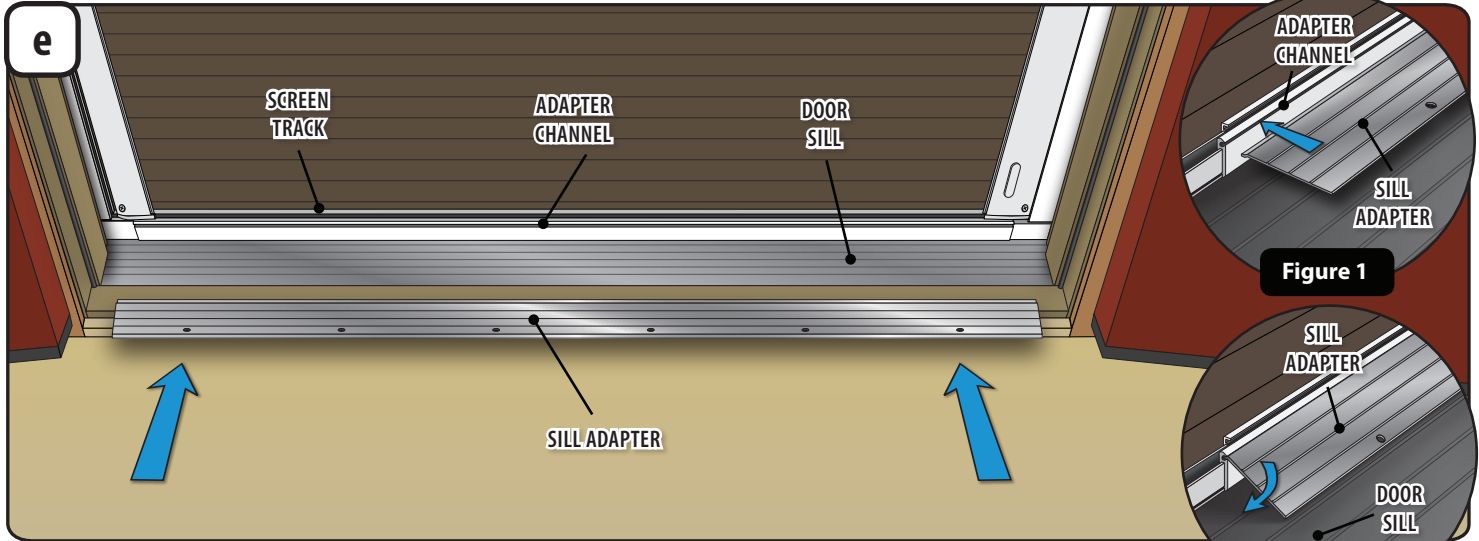
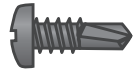
Drill/Driver

Sealant

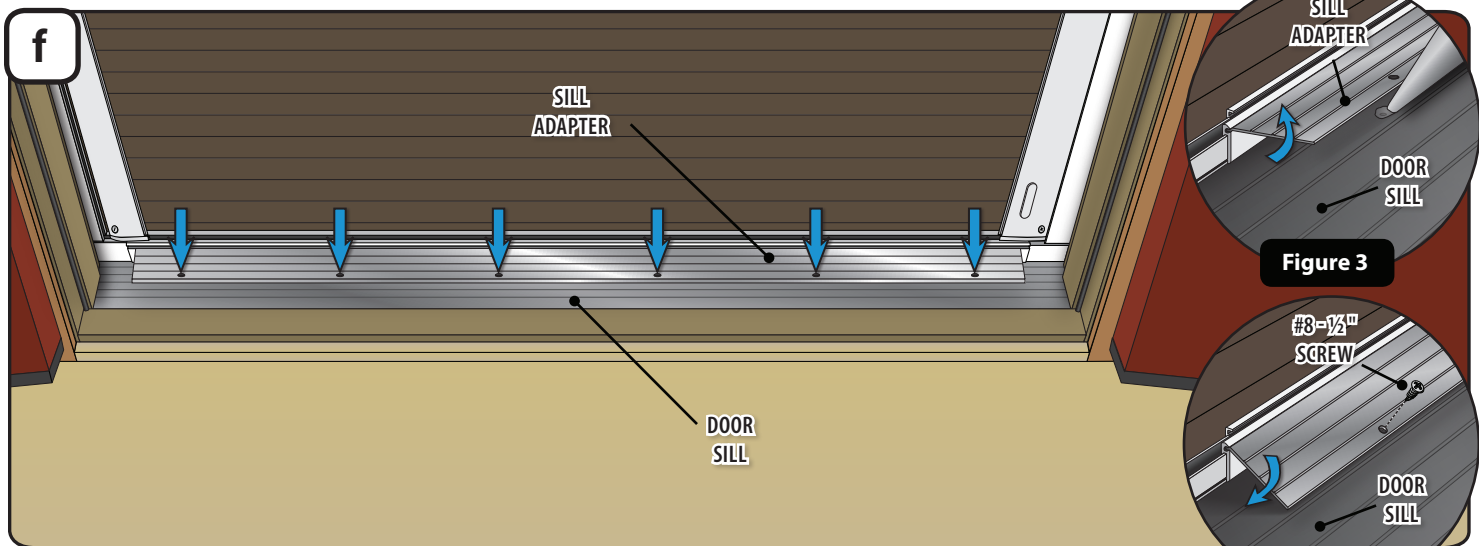
#2 Phillips Bit (provided)

REINSTALL SCREWS

#8 - 1/2" (Qty 6)



- e1 Thoroughly clean the Door Sill with soft cloth.
- e2 From the interior of screen assembly, position Sill Adapter with the textured side up and screw holes in toward the interior of the home.
- e3 Insert edge of the Sill Adapter into the Adapter Channel located on the Screen Track (see Figure 1).
- e4 Rotate the Sill Adapter down to the Door Sill, to make sure the six holes in the Sill Adapter align with the six existing holes in your Door Sill. (see Figure 2).



- f1 Lift Sill Adapter and apply sealant into the holes until sealant over-flows onto Door Sill surface. (see Figure 3)
- f3 Rotate the Sill Adapter back down to the Door Sill and fasten using six #8 - 1/2" Self-Tapping Screws. Cleanup excess sealant. (see Figure 4)