

Installation Guide

Replacement Screen Tracks and Sill Adapter for Andersen® LuminAire® Retractable Insect Screen Double Door

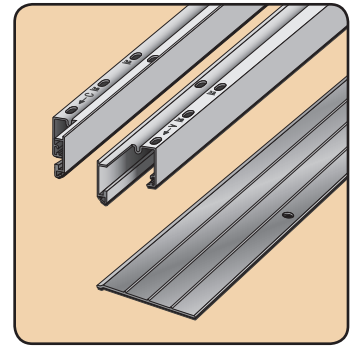
For installation help please visit www.AndersenLuminAire.com/install



Please Do Not Return Product to Store!

PLEASE call the Storm Door Solution Center at 844-813-6664, with any questions regarding installation, lost part replacement, or anything else related to your retractable insect screen purchase. Replacement parts can also be found at: parts.andersenstormdoors.com

Read this entire guide before you begin your installation. If your abilities do not match the requirements of this installation, contact an experienced contractor.



DOUBLE DOOR PARTS OVERVIEW

Your replacement part should contain the following parts.

- 1 Screen Track Marked A and C Passive
- 2 Screen Track Marked C and A Passive
- 3 Sill Adapter

In the Parts Bag:

- 4 Track Extenders (qty 2)
- 5 Track Stops (qty 2)
- 6 Slot Covers (qty 2)

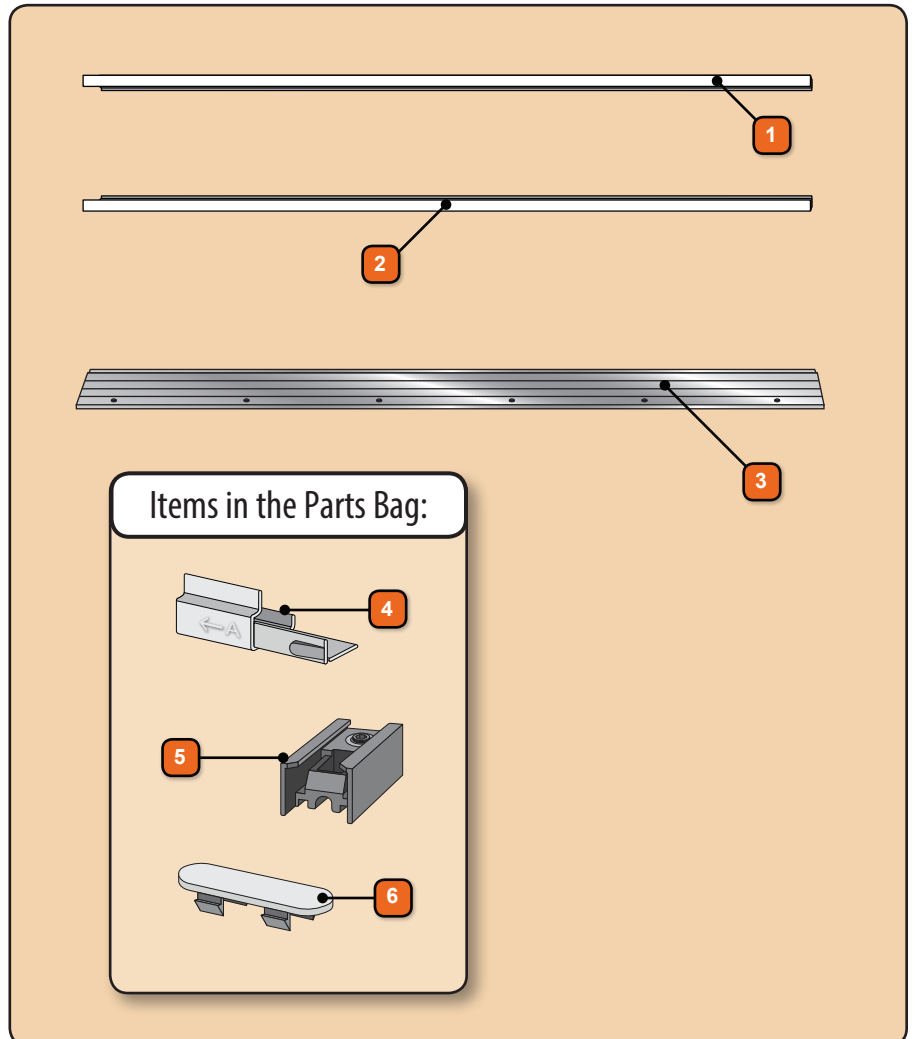
(Not needed, but can be used as replacement slot covers)

Not Shown: Screw Pack containing:

- 1 inch #8 screws (qty 6)
- ½ inch #8 self-tapping screws (qty 6)
- #2 Phillips Bit
- ⅛ inch Drill Bit
- ⅜ inch Hex Wrench
- Corner Pile (qty 2)

NOTICE

To avoid product damage, be sure to place all parts of your retractable insect screen on a soft non-abrasive surface such as carpet, drop cloth placed on your lawn or cardboard.



SAFETY FIRST: Please read and follow all Cautions and Warnings in this guide.

WARNING
 Follow manufacturers' instructions for hand and power tools. Always wear safety glasses. Failure to do so could result in injury, product or property damage.

WARNING
 Windows and doors can be heavy. Use safe lifting techniques and a reasonable number of people with enough strength to lift, carry, and install window and door products. Heavier windows and doors will require mechanical assistance. Failure to do so could result in injury, product or property damage.

CAUTION
 Metal components of the retractable insect screen may become hot when exposed to sunlight.

WARNING
 Metal fasteners and components could corrode when exposed to preservative-treated or fire-retardant treated lumber. Use approved fasteners and components to fasten window or door. Failure to do so could cause a failure resulting in injury, product or property damage.

IMPORTANT
 The retractable insect screen is intended for reasonable insect control and not the retention of objects, persons, or pets within the interior. The retractable insect screen will not stop a person from falling through the door.

Fastener must attach to a structural framing member with a 1" minimum fastener embedment. Failure to do so could result in injury, product or property damage.
DO NOT remove screws that attached installation clips or gusset plates to window or door frames. Doing so could result in injury, product or property damage.

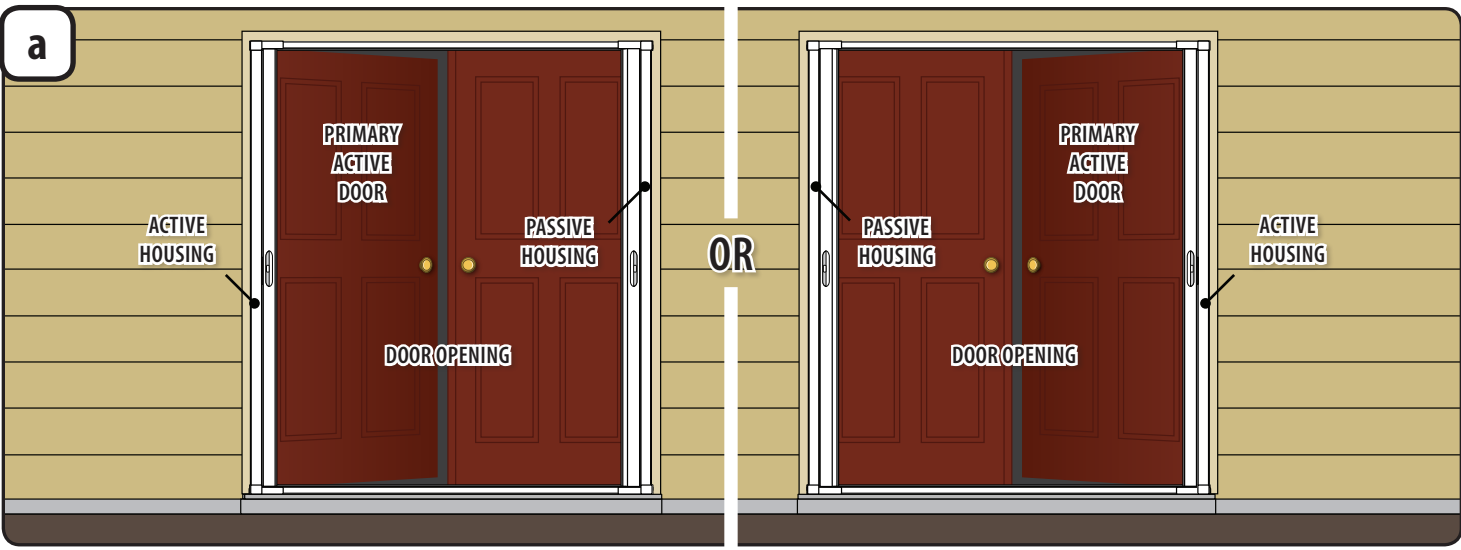
RECOMMENDED TOOLS

Safety Alert Symbol
 This is the Safety Alert Symbol used to alert you to potential injury hazards. Obey all safety messages that follow this symbol to avoid possible injury or death.

Signal Word and Consequence

COULD Result in:	WARNING Major Injury / Death	COULD Result in:	CAUTION Minor Injury
COULD Result in:	NOTICE Product or Property Damage	IMPORTANT Procedure and Product Information	

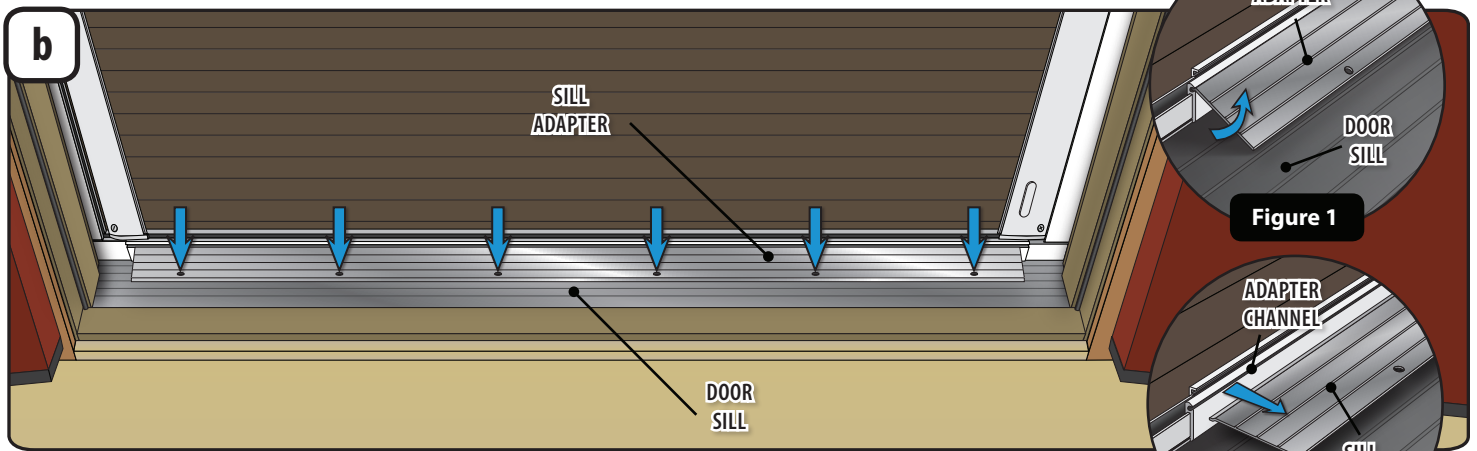
1 REMOVAL Tools Recommended: #2 Phillips Bit (provided)



NOTICE
 To avoid product damage. It is recommended to use two (2) people to uninstall and reinstall double door unit into the door opening.

a From the exterior of the screen assembly, take note of the screen assemblies orientation. This is the orientation the screen assembly should be in when reinstalled.

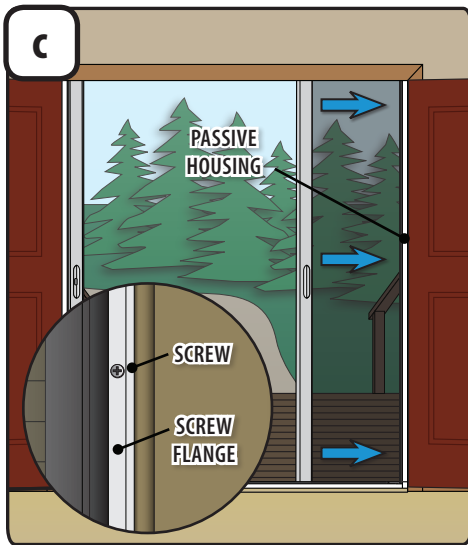
1 REMOVAL - Continued



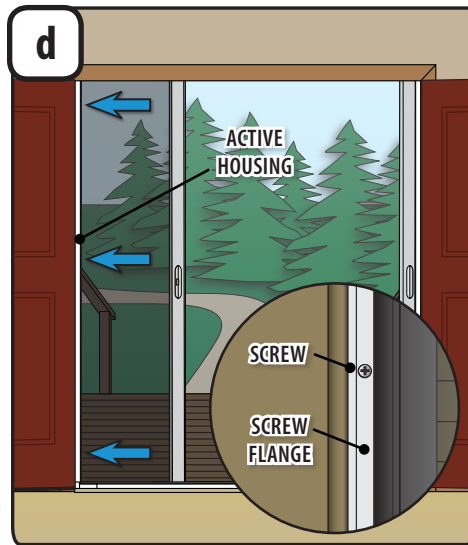
b1 From the interior of the screen assembly, remove the six screws from the Sill Adapter. Dispose of screws properly.

b2 Rotate Sill Adapter up and pull out of Adapter Channel (see Figure 1 & 2).

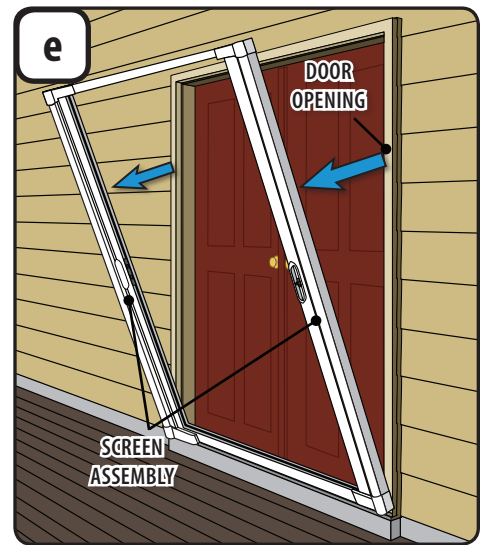
b3 Dispose of Sill Adapter properly.



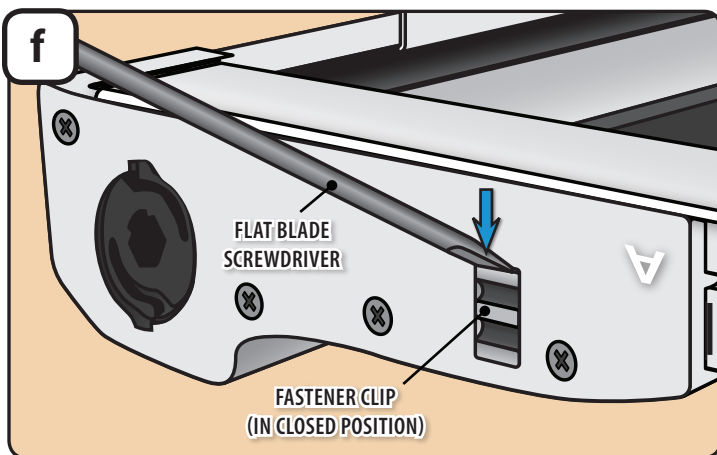
c From the interior extend the screen from the Passive Housing so it is clear of your drill/driver. Remove the three screws from the Screw Flange. Dispose of screws properly.



d Extend the screen from the Active Housing so it is clear of your drill/driver. Remove the three screws from the Screw Flange, supporting the screen assembly as needed. Dispose of screws properly.

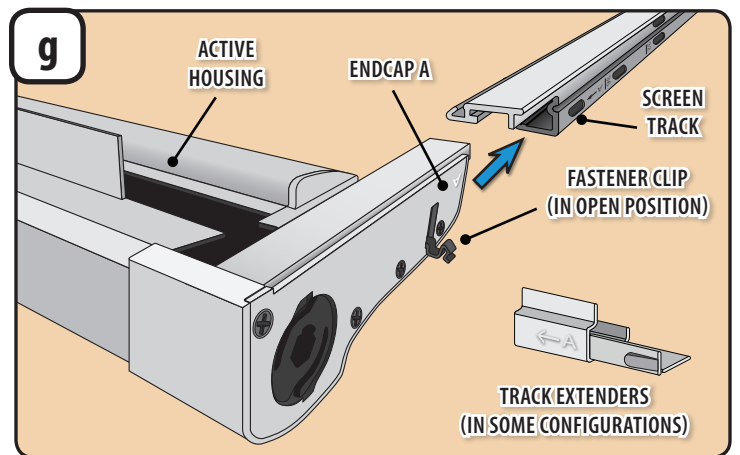


e Carefully tip and lift Screen Assembly out of Door Opening and place it flat with the interior side facing up on a non-abrasive surface.



f1 On Endcap A, with a Flat Blade Screwdriver, apply downward pressure on the Fastener Clip and rotate into the open position.

f2 Repeat this step for endcap C.

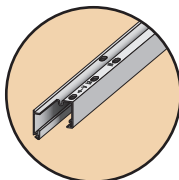


g With both Fastener Clips in the open position, carefully slide both the Active Housing and Passive Housing off both Screen Tracks (sides A and C). Dispose of the Screen Tracks properly.

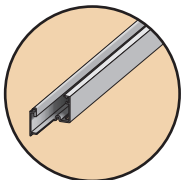
NOTE: Some configurations use Track Extenders in the passive housing, if present use Track Extenders in the following steps. Dispose of them properly.

2

REASSEMBLE SCREEN TRACKS & HOUSINGS



Screen Track

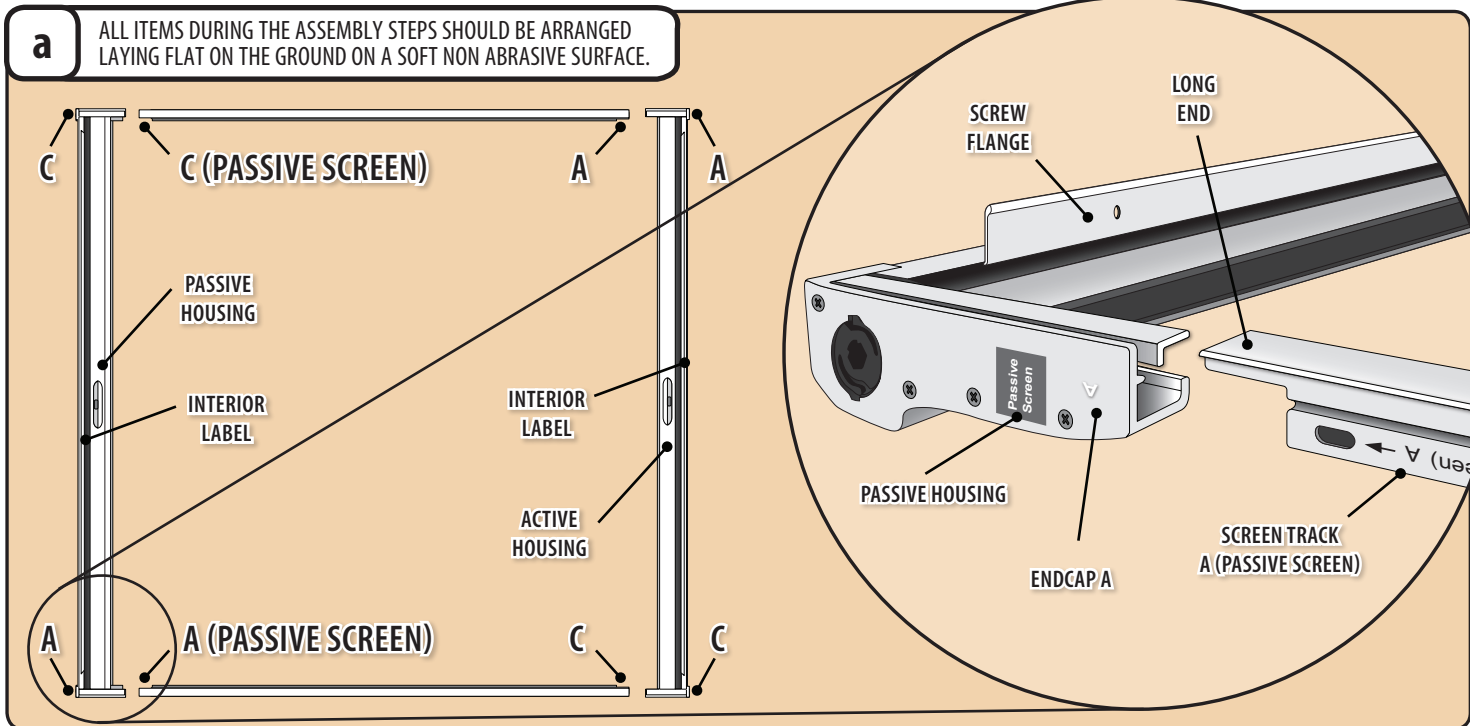


Screen Track

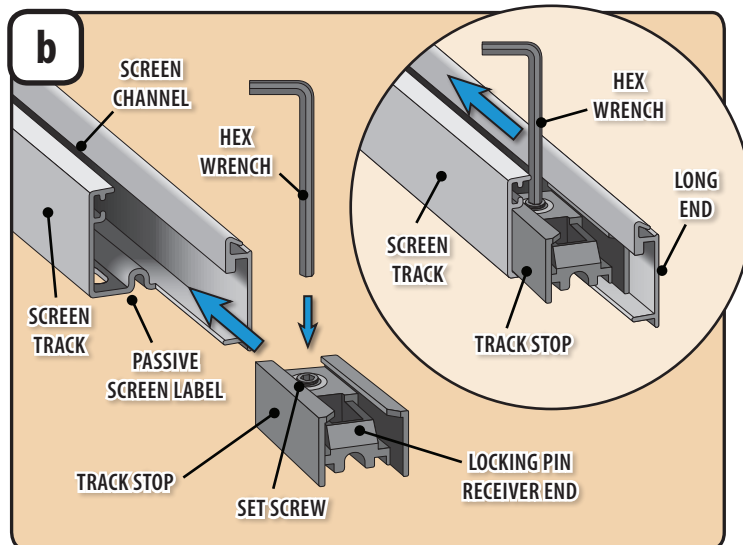
Tools Recommended:
 3/32 Hex Wrench (provided)

PARTS BAG

Track Extenders if required (Qty 2)
Track Stops (Qty 2)



a1 Arrange both housings and screen tracks onto a non-abrasive surface, with the housing's side labeled **Interior** facing up. Leaving the screens in the retracted position, align the components so the letters marked on the **Screen Tracks** and the letters marked on the **Housing Endcaps** align (A to A, C to C, Passive A to Passive Screen A and Passive C to Passive Screen C). Screen Tracks should be orientated with **Long End** up, and labeled side facing out from the assembly.
Note: Active Housing has fastener clips and 68 & 72 inch markings. The Passive Housing is labeled PASSIVE on the end caps.



- b1** At the end of the **Screen Track** labeled (Passive Screen) A, rotate the **Screen Track** so labeled side is down and the **Screen Channel** is up.
- b2** Insert **Hex Wrench** into the **Set Screw** in the **Track Stop**.
- b3** Insert **Track Stop** into the **Screen Track** with the **Hex Wrench** so the **Set Screw** slides into **Screen Channel** first followed by **Locking Pin Receiver** end.
- b4** Slide the **Track Stop** to approximately the middle of the **Screen Track**. Tighten the **Set Screw** enough to prevent the **Track Stop** from moving.
- b5** Repeat for **Screen Track** end labeled (Passive Screen) C. Rotate both screen tracks back to original position, so the long ends of **Screen Tracks** are up.

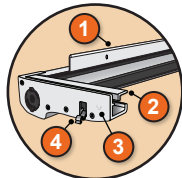
c **Use Track Extender Only:**
 If your opening width is between 69" & 70" or 71" & 72", see Page 3 for details.

Opening Width	Configuration	Track Extender
71" – 72"	72" Config.	Yes - Needed
70" – 70 1/16"	72" Config.	Not needed
69" – 69 1/16"	68" Config.	Yes - Needed
Less than 69"	68" Config.	Not needed

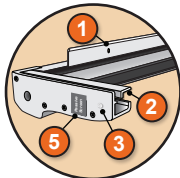
- c1** If your opening width is between 69" and 70" or 71" and 72" you will need to insert the **Track Extenders** into the **Passive Housing End Caps**. If your opening does not fall into these ranges, skip to Step d.
- c2** Position the thicker end of the **Track Extender A** toward **Passive Housing End Cap A** with the **Locking Tab** toward the **Screen Track**.
- c3** Slide the **Track Extender** all the way into the **Passive Housing End Cap A**, and repeat these steps for side C.

2

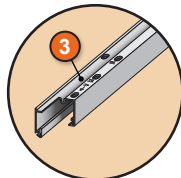
REASSEMBLE SCREEN TRACKS & HOUSINGS Continued



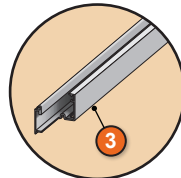
Active Housing



Passive Housing



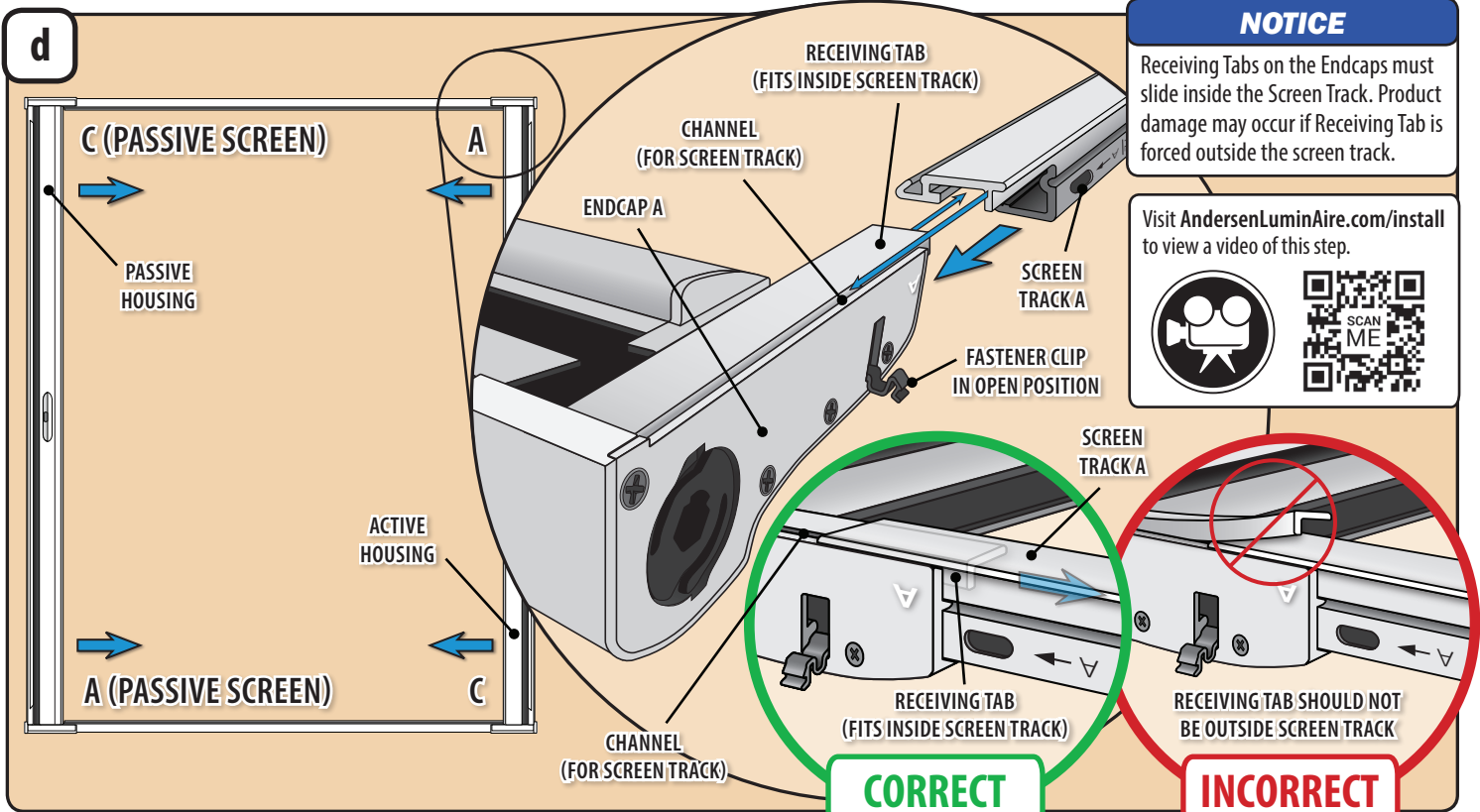
Screen Track



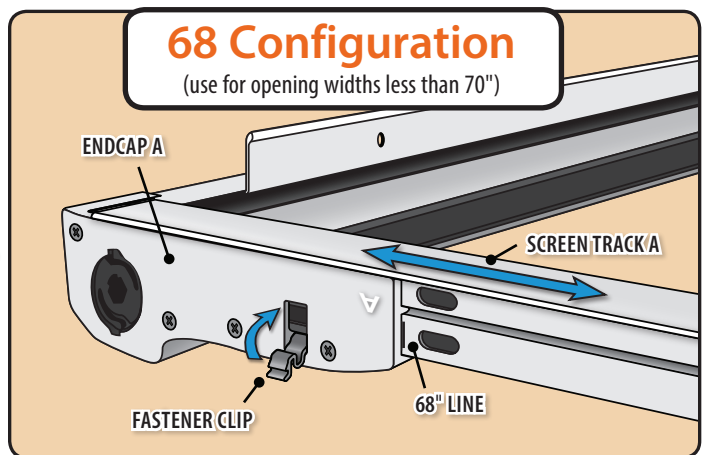
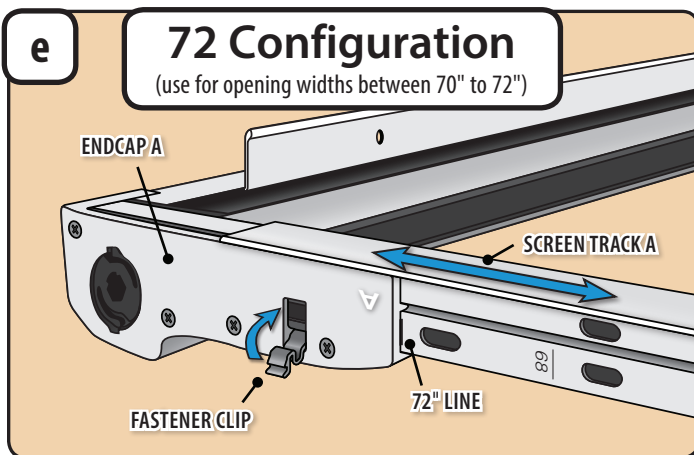
Screen Track

KEY REFERENCES

- 1 Screw Flanges
- 2 Receiving Tabs
- 3 Letter Labels
- 4 Fastener Clips
- 5 Passive Label



- d1** Confirm the Fastener Clips on Active Housing Endcaps A and C are in the open position. Starting at corner A on the Active Housing, slide the Receiving Tab on Endcap A inside the Screen Track. Ensure the Receiving Tab fits inside the Screen Track, and the Screen Track slides into the Channel. (see "correct" above). (Visit AndersenLuminAire.com/install to view a video of this step.)
- d2** Repeat for Endcap C on the Active Housing and Endcaps A and C on the Passive Housing. Be sure the screen tracks are all the way into the passive housing. (Note: The passive housing endcaps do not have Fastener Clips, this allows the screen tracks to slide for adjustment to fit the door opening.)
- d3** Use the "72 Configuration" for openings 70 - 72" wide or "68 Configuration" for openings less than 70" wide in step b. (If the opening is narrower than 68" wide, See Appendix A on page 10.)



- e1** If the opening is between 70" and 72", adjust Screen Track A until 72" line aligns with edge of Active Housing Endcap A.
- e2** Rotate the Fastener Clip up until it snaps into the closed position.
- e3** Repeat steps for side C.

- e1** If the opening is less than 70", adjust Screen Track A until 68" line aligns with edge of Active Housing Endcap A.
- e2** Rotate the Fastener Clip up until it snaps into the closed position.
- e3** Repeat steps for side C.

3

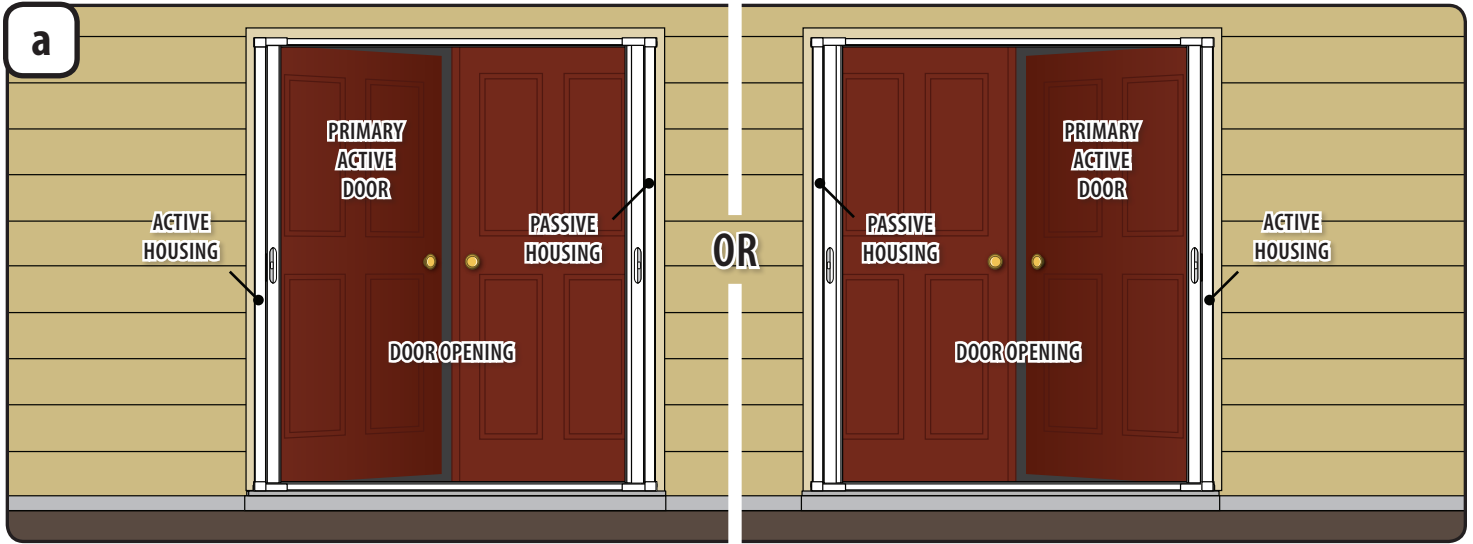
PLACE, FASTEN ASSEMBLY INTO OPENING

Tools Recommended:



SCREW PACK

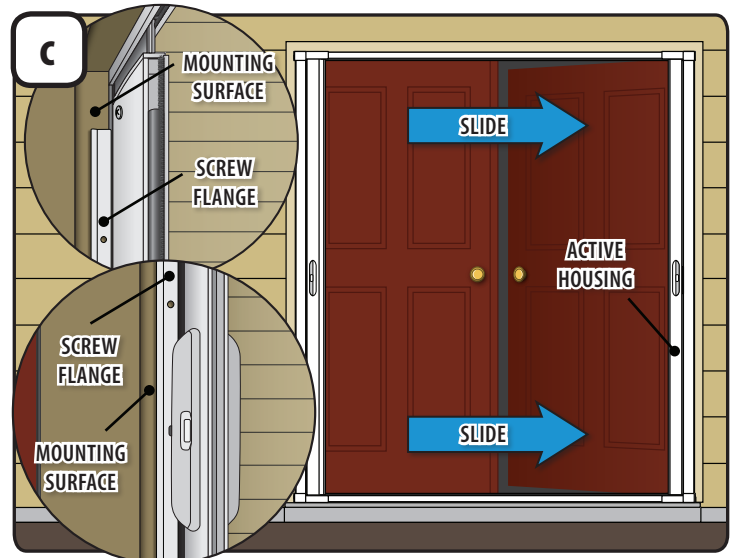
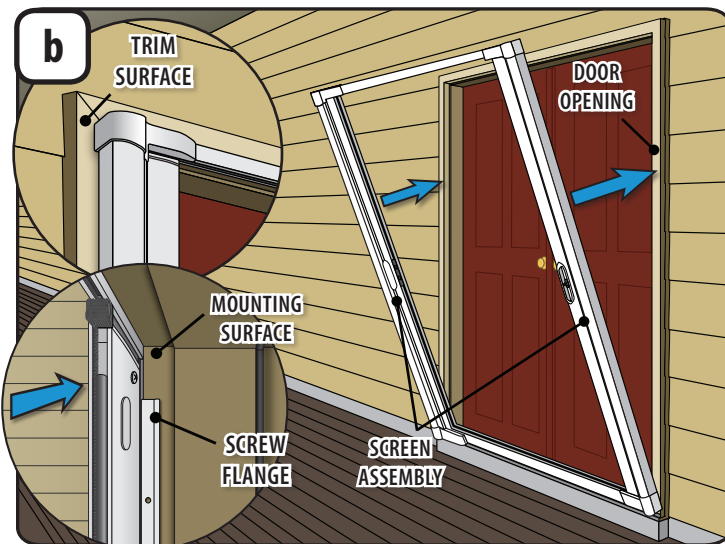
#8-1"
(Qty 6)



- a** With the interior of the screen assembly facing the door opening, rotate the assembly so the **Active Housing** is on the same side of the **Door Opening** as your **Primary Active Door**.

NOTICE

To avoid product damage, it is recommended to use two (2) people to install double door unit into the door opening.



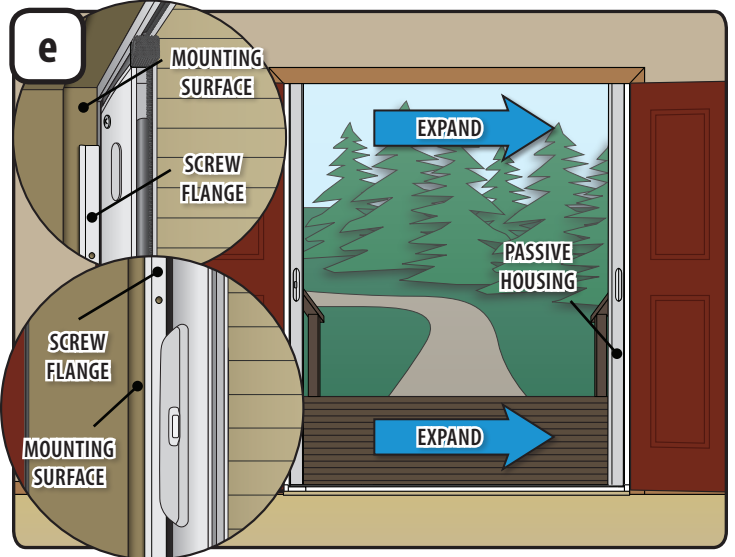
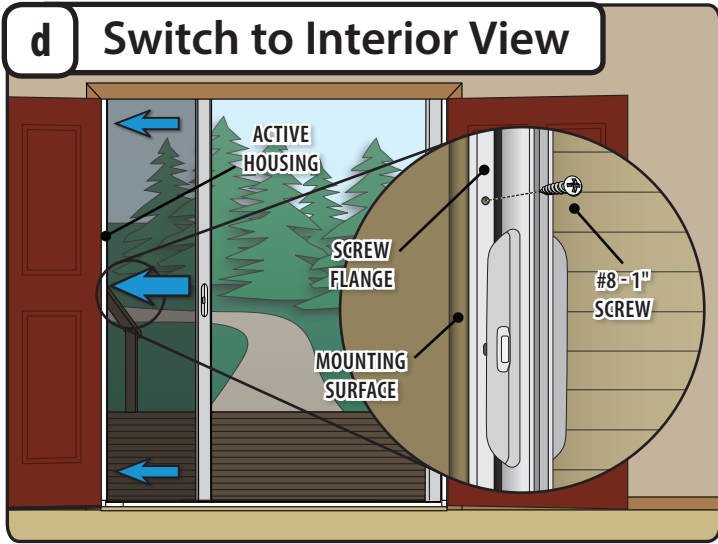
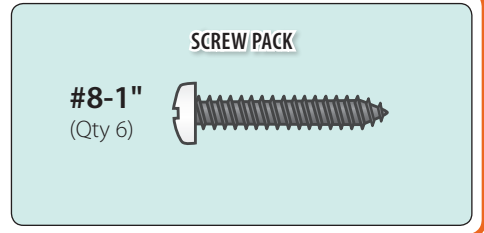
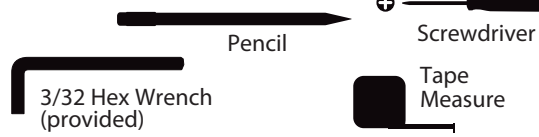
- b1** The **Screen Assembly** will be narrower than your opening until fully expanded in the following steps.
- b2** Start by placing the **Screen Assembly** onto the exterior **Trim Surface**, with the **Screw Flanges** extending into the **Door Opening**. Rest the bottom of the screen assembly onto your sill or support blocking.

- c1** Slide the **Screen Assembly** in the door opening until the **Active Housing** side **Screw Flange** is on the **Mounting Surface**.
- c2** Verify the **Screen Assembly** is plum, level and square in the door opening and the **Screen Housing** side **Screw Flange** is tight to **Mounting Surface**.

3

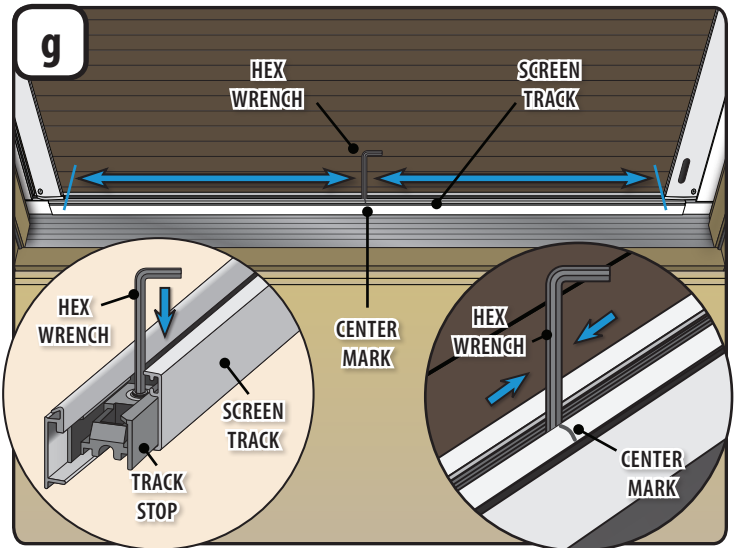
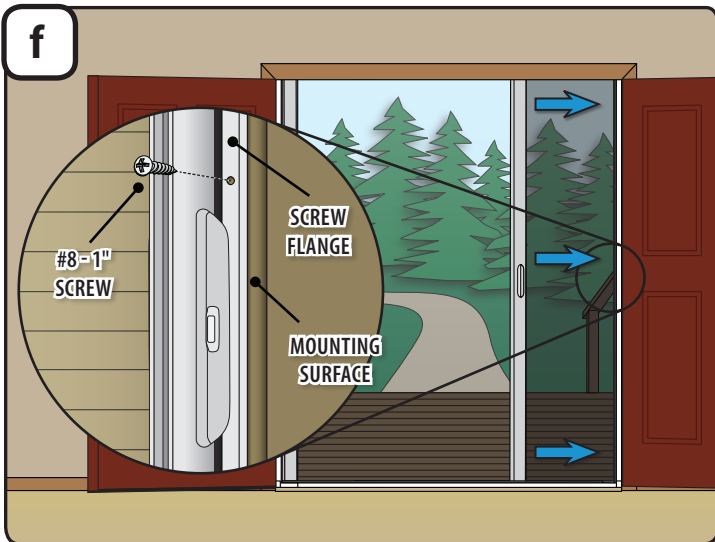
PLACE, FASTEN ASSEMBLY INTO OPENING Continued

Tools Recommended:



- d1** From the interior, while holding the **Active Housing** side **Screw Flange** tight to the **Mounting Surface**, align the three holes on **Screw Flange** with the three existing holes in the **Mounting Surface**.
- d2** With one **#8 - 1"** screw, fasten **Active Housing** to the **Mounting Surface**. *(Be careful not to overtighten)*
- d3** Repeat steps for top and bottom holes. *(Being careful not to overtighten)*

- e1** Expand the screen assembly in the door opening until the **Passive Housing** side **Screw Flange** is on the **Mounting Surface**.
- e2** Verify the screen assembly is plum, level and square in the door opening and the **Passive Housing** side **Screw Flange** is tight to **Mounting Surface**.



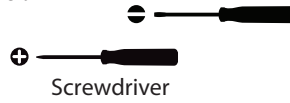
- f1** From the interior, while holding the **Passive Housing** side **Screw Flange** tight to the **Mounting Surface**, align the three holes on **Screw Flange** with the three existing holes in the **Mounting Surface**.
- f2** With the three remaining **#8 - 1"** screws, fasten **Passive Housing** to the **Mounting Surface**. *(Be careful not to overtighten)*

- g1** With a pencil and tape measure find the center of the opening and make a **Center Mark** on the lower and upper **Screen Tracks**.
- g2** Insert the **Hex Wrench** into the **Track Stop**, positioned near the center of the **Screen Track**.
- g3** Loosen the set screw just enough to move the **Track Stop**, and reposition it to the **Center Mark** on the **Screen Track**. Tighten the set screw in place.
- g4** Repeat step for other **Screen Track**.

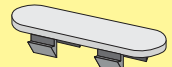
4

ADJUSTMENTS, DUST PLUGS, PLACE & FASTEN SILL ADAPTER

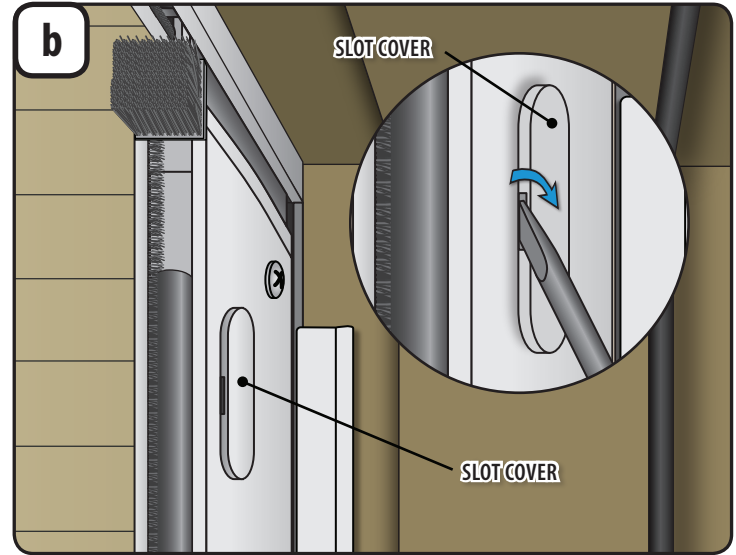
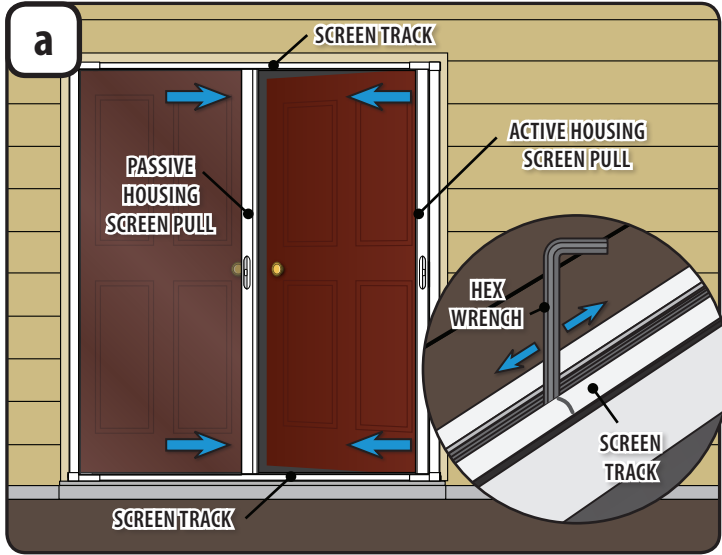
Tools Recommended:



PARTS BAG

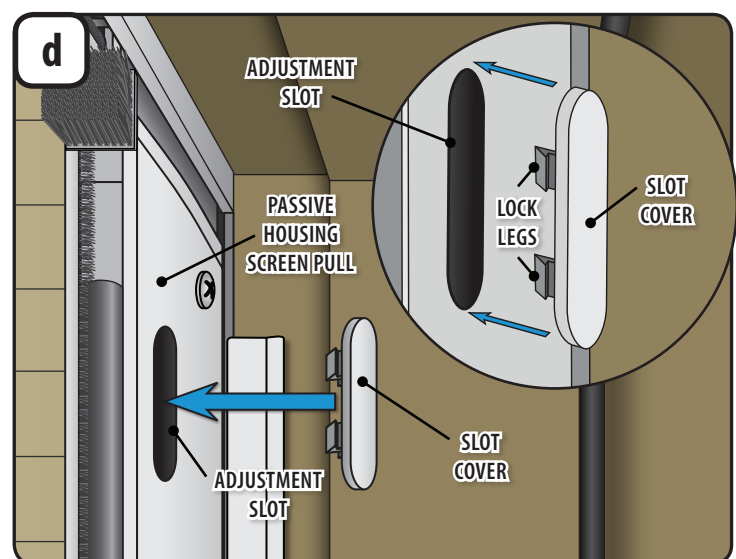
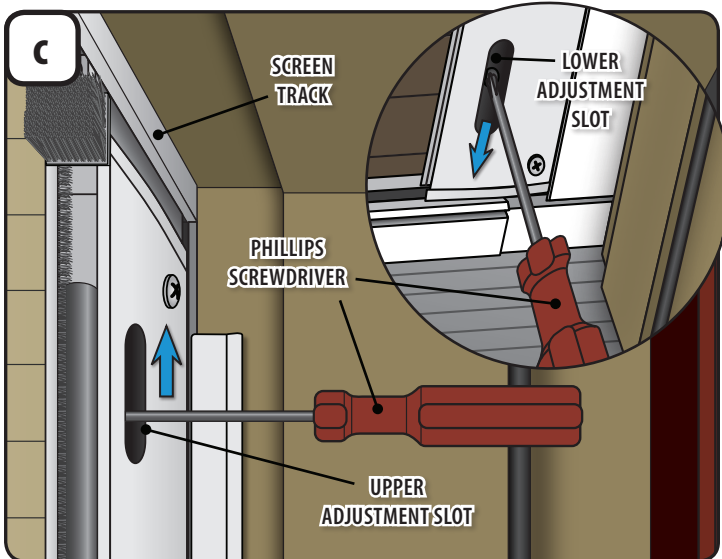


Slot Covers (optional)



- a1** From the exterior of the screen assembly, extend the **Passive Housing Screen Pull** to the closed position in the center of opening. The **Screen Pull** should latch at the top and bottom **Screen Tracks**. If top or bottom don't latch, do the following steps B through D and then repeat this step.
- a2** Verify **Passive Housing Screen Pull** is centered. If not centered, you can adjust the location of **Passive Housing Screen Pull** by repeating step 2g through 4g until the desired position is achieved.
- a3** Once positioned, extend the **Active Housing Screen Pull** to the closed position, latching it into **Passive Housing Screen Pull**.

- b1** Only proceed with steps B - D if your passive screen is not latching, or you want to replace your two **Slot Covers**.
- b1** Remove both **Slot Covers** from the back of the **Passive Housing** with a screwdriver and dispose of them properly.

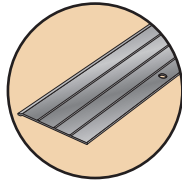


- c1** Inside the **Upper Adjustment Slot**, keeping the **Phillips Screwdriver** in contact with the screw, loosen the screw until it can be moved, approximately 2 turns; do not fully remove the screw. Use the **Phillips Screwdriver** to slide the upper pin up towards the **Screen Track** until it stops. Tighten screw down.
- c2** Inside the **Lower Adjustment Slot**, keeping the **Phillips Screwdriver** in contact with the screw, loosen the screw until it can be moved, approximately 2 turns; do not fully remove the screw. Use the **Phillips Screwdriver** to slide the lower pin down towards the **Screen Track** until it stops. Tighten screw down.

- d1** Once the track stops and locking pins have been adjusted and set, unlatch and open both screens.
- d2** Insert a **Slot Cover** into the upper **Adjustment Slot** until the **Lock Legs** snap into place and it is firmly seated in place.
- d3** Repeat for the lower **Adjustment Slot**.

5

PLACE AND FASTEN SILL ADAPTER



Sill Adapter

Tools Recommended:

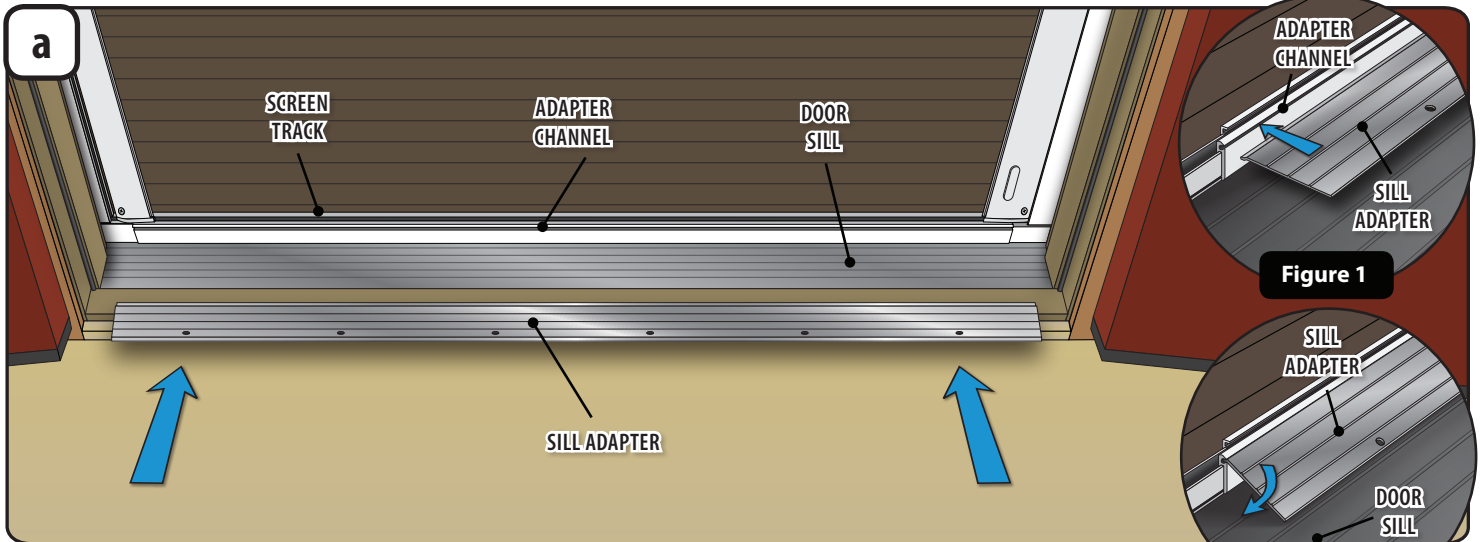


Drill/Driver

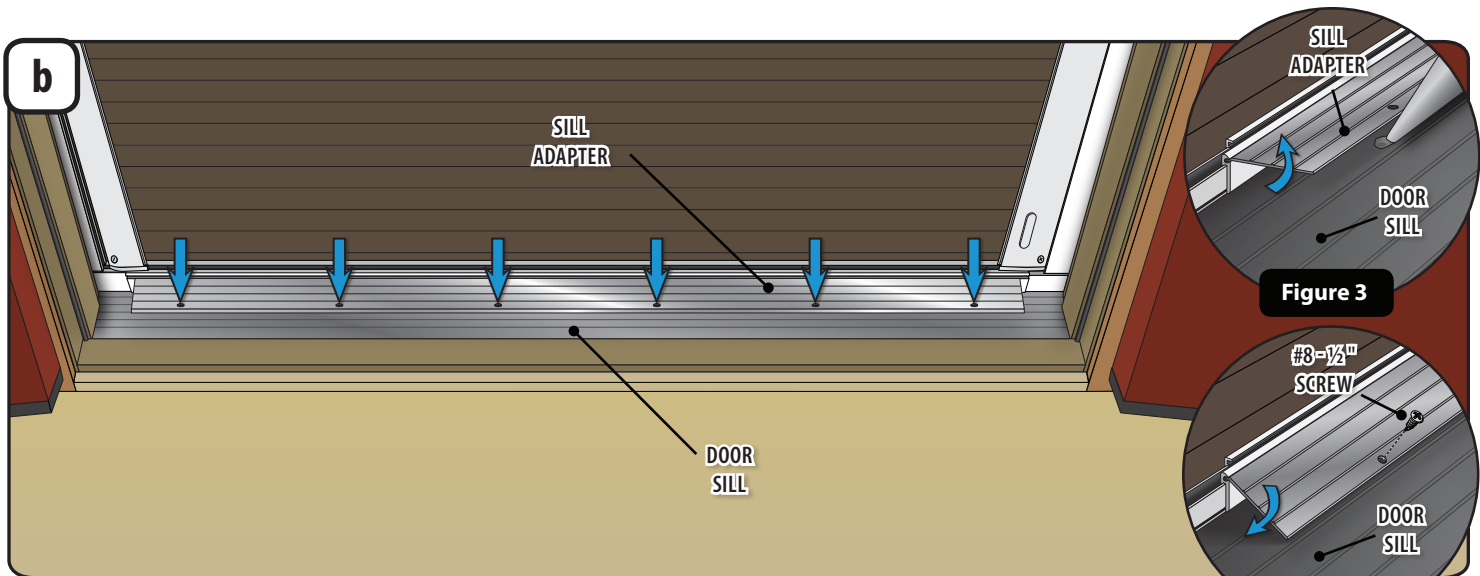
Sealant

#2 Phillips Bit
(provided)

SCREW PACK

#8 - 1/2"
(Qty 6)

- a1** Thoroughly clean the Door Sill with soft cloth.
- a2** From the interior of screen assembly, position Sill Adapter with the textured side up and screw holes in toward the interior of the home.
- a3** Insert edge of the Sill Adapter into the Adapter Channel located on the Screen Track (see Figure 1).
- a4** Rotate the Sill Adapter down to the Door Sill, to make sure the six holes in the Sill Adapter align with the six existing holes in your Door Sill. (see Figure 2).

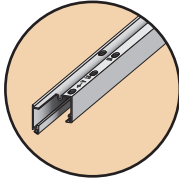


- b1** Lift Sill Adapter and apply sealant into the holes until sealant overflows onto Door Sill surface. (see Figure 3)
- b2** Rotate the Sill Adapter back down to the Door Sill and fasten using six #8 - 1/2" Self-Tapping Screws. Cleanup excess sealant. (see Figure 4)

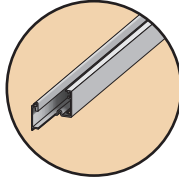
APPENDIX - STEPS FOR NARROW OPENING REQUIRING CUTTING (if required)

A

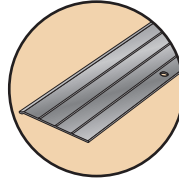
APPENDIX A Narrow Opening Modification for Openings less than 67 7/8" wide.



Screen Track
(A/C Passive)

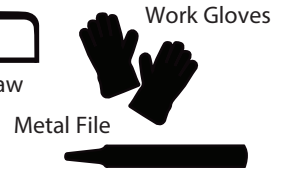
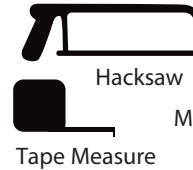


Screen Track
(C/A Passive)



Sill Adapter

Tools Recommended:



a

EXAMPLE
(FOR STEP **a3** BELOW)

If opening width $W1 = 65 \frac{3}{4}$,"
 $W2 = 65 \frac{3}{4}$," and $W3 = 65 \frac{1}{2}$,"
Take narrowest width = $65 \frac{1}{2}$,"
and subtract from $69 \frac{1}{2}$ inches.
 $69 \frac{1}{2} - 65 \frac{1}{2} = 4$ inches
The **Calculated Length**
of material to cut off is **4 inches**
in this example.
For sill adapter (step b3), use
half the **Calculated Length**
by dividing it by 2.
 $4 \div 2 = 2$ inches

b

- a1** To modify screen assembly to work in a Narrow Opening, the Screen Tracks and Sill Adapter need to be cut down.
- a2** Measure door opening width at top (W1), middle (W2), and bottom (W3) from the inside of the exterior trim.
- a3** Calculate Length of material to be cut off by taking the narrowest width from above and subtracting it from $69 \frac{1}{2}$ inches (see Example above).

- b1** Measure and mark from **Passive End** of the Screen Track the **Calculated Length**.
- b2** With a **Hacksaw** make a clean square cut through the **Screen Track** at the **Cut Mark**. With a metal file, file down all sharp edges. Repeat steps for the other **Screen Track** at the **Passive End**. (see Figure 1).
- b3** Measure and mark from each end of the **Sill Adapter** the **Halved Calculated Length** so equal amounts are removed from both sides (see Figure 2).
- b4** With the **Hacksaw** make a clean square cut through the **Sill Adapter** on both ends at the **Cut Marks**. With a metal file, file down all sharp edges. Return to Measure on Page 2.

LUMINAIRE[®]
RETRACTABLE SCREEN DOOR

WINDOWS • DOORS
Andersen[®]

1-844-813-6664