

Installation Guide

Replacement SmoothControl+™ Left Hand Hydraulic Closer

Assembly for Andersen® 1-1/2" Fullview Storm Doors



Please Do Not Return Product to Store!

PLEASE call the storm door Solution Center at 1-800-933-3626, with any questions regarding installation, lost part replacement, or anything else related to your storm door purchase.

Read this entire guide before you begin your installation. If your abilities do not match the requirements of this installation, contact an experienced contractor.

PARTS OVERVIEW

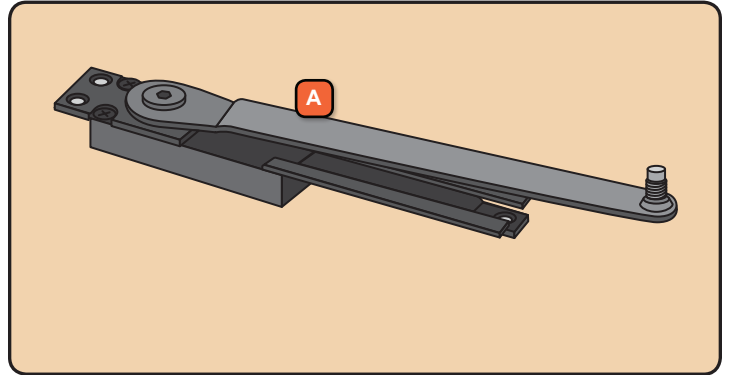
Your installation kit should contain the following parts. However, in some door models, not all of the parts will be used.

A Hydraulic Closer Arm & Bolt Assembly

Not Shown

B Pink Hardware Bag

C Clear Hardware Bag



SAFETY FIRST: Please read and follow all Cautions and Warnings in this guide.

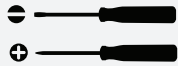
RECOMMENDED TOOLS



Safety Glasses



Hex Wrench (provided)



Screwdrivers



Work Gloves

WARNING

Storm doors have small parts. Small parts if swallowed could pose a choking hazard to young children. Dispose of unused, loose, or easily removed small parts. Failure to do so could result in injury.

CAUTION

Some components may contain sharp edges. Wear appropriate protective equipment to avoid potential injury.

CAUTION

Closer is under tension and has several areas that can pinch. Use caution when working around the closer components. Failure to do so may result in injury.



This is the Safety Alert Symbol used to alert you to potential injury hazards. Obey all safety messages that follow this symbol to avoid possible injury or death.

Signal Word and Consequence

COULD

WARNING

Result in:

Major Injury / Death

COULD

CAUTION

Result in:

Minor Injury

COULD

NOTICE

Result in:

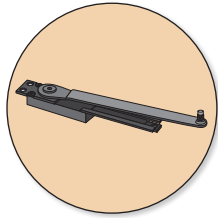
Product or Property Damage

IMPORTANT

Procedure and Product Information

1

REMOVE HYDRAULIC CLOSER AND INSTALL REPLACEMENT PART (Left Hand)



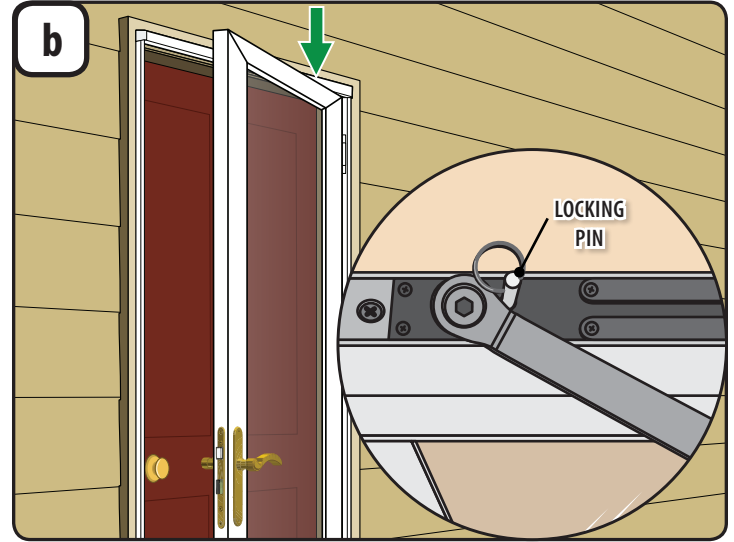
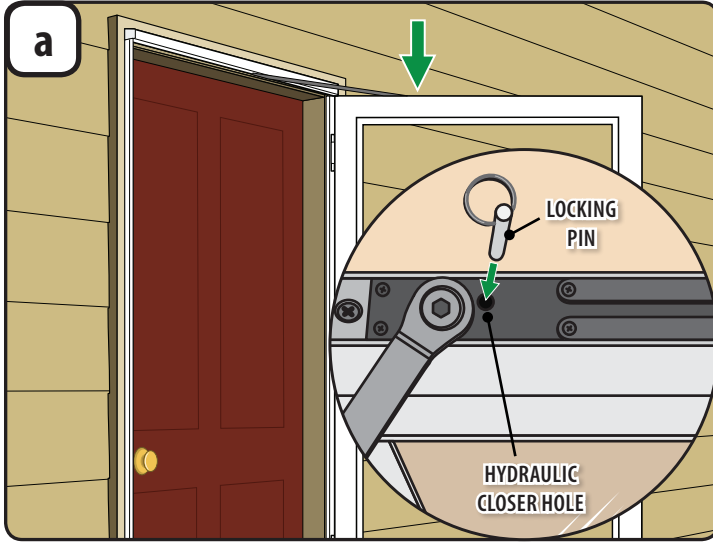
Tools recommended:



CLEAR HARDWARE BAG

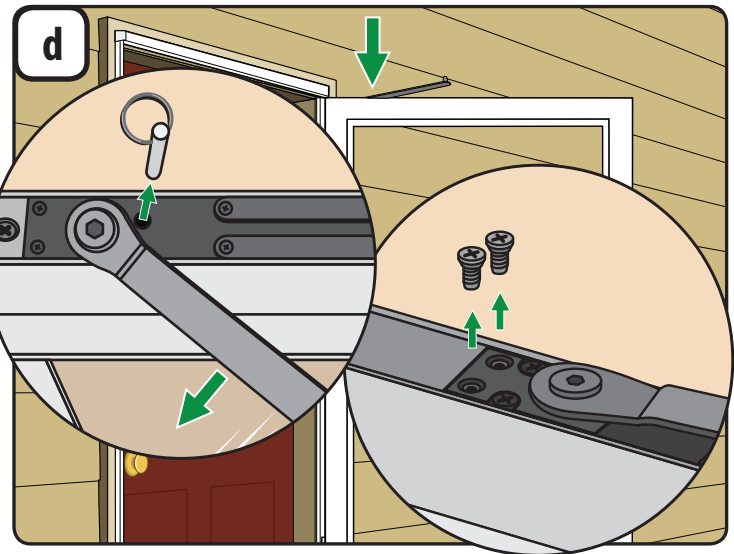
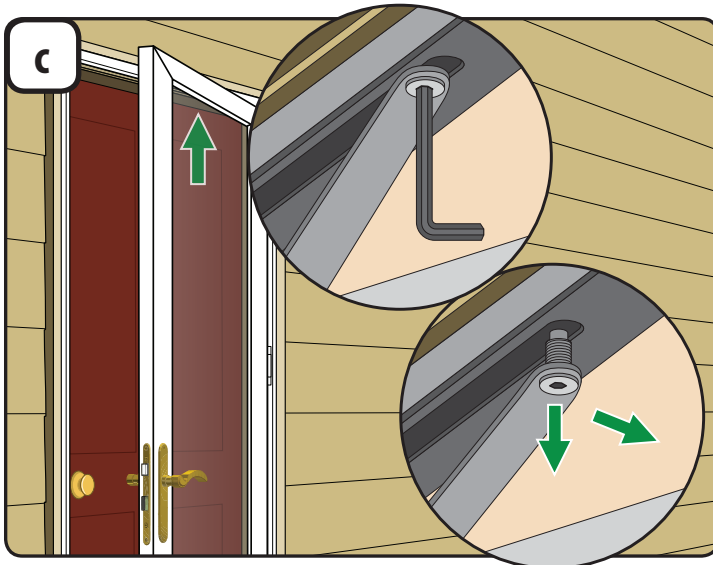


Unpainted Flat Head Screws (Qty 2)



1. With the door seated in the open position look for the hole in the top of the hydraulic closer unit on top of the door frame. Insert the locking pin found in the pink hardware bag into the hydraulic closer hole.

1. Close the door until the closer arm is resting against the locking pin which will keep the door from closing fully.



1. From the interior side of the door, loosen the hydraulic closer arm connecting bolt on the under-side of the rain cap damper assembly using the hex wrench provided in the pink hardware bag. **NOTE:** The connecting bolt is secured to the closer arm.
2. Once the connecting bolt is completely loose, pull down slightly on the closer arm and swing the door out of the way.

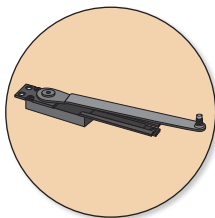
1. Remove the locking pin from the top of the hydraulic closer unit by pulling the closer arm slightly away from the door frame and lifting locking pin from closer hole. Then carefully let the closer arm swing back to its neutral position over the closer.
2. Using a Phillips screwdriver, remove the two unpainted screws from the top of the hydraulic closer unit and properly dispose of the screws.

IMPORTANT

If you have a fixed laminated glass 3-point lock door, go to the steps on page 4 of this guide after completion of this step (Step D).

1

REMOVE HYDRAULIC CLOSER AND INSTALL REPLACEMENT PART (continued)



Tools recommended:



Hex Wrench (provided)

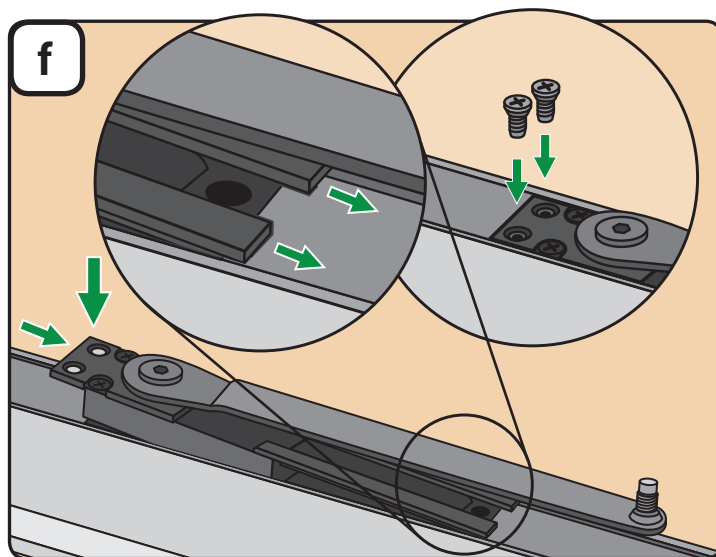
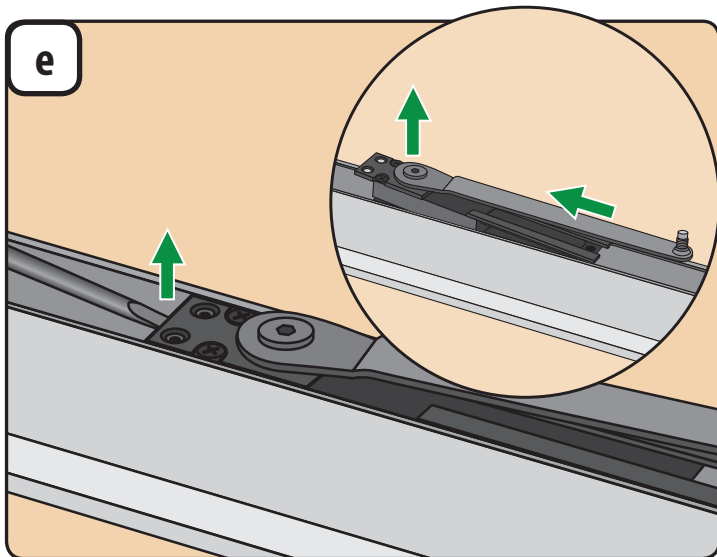


Screwdrivers

CLEAR HARDWARE BAG

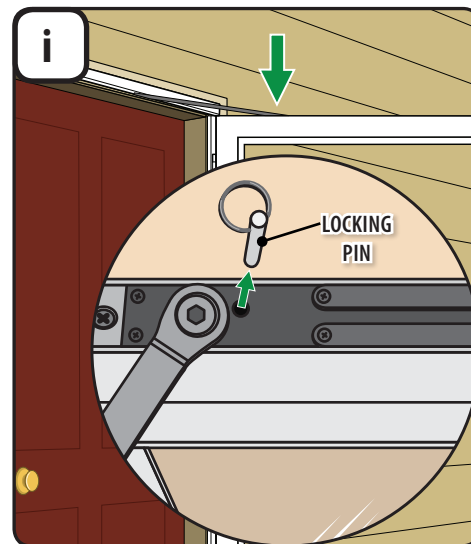
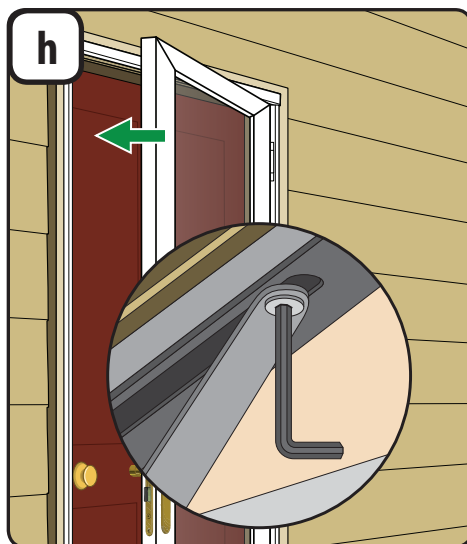
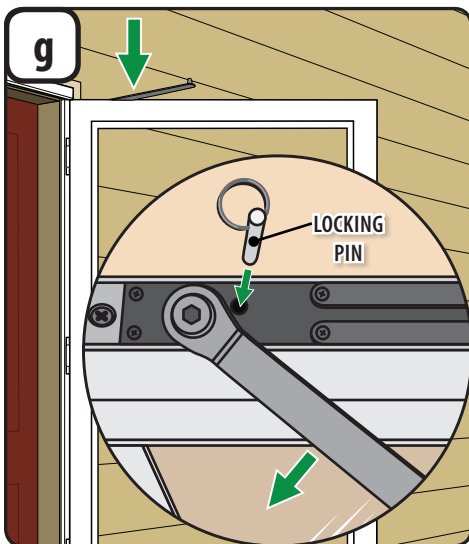


Unpainted Flat Head Screws (Qty 2)



1. Slide a flat blade screwdriver between the hydraulic closer base plate and the top of the door frame.
2. Lift up on the hydraulic closer unit with the screwdriver and slide the unit sideways toward the hinge side of the door until it is completely removed. Properly dispose of old hydraulic unit.

1. Install the new replacement hydraulic closer unit into the top of the door using the reverse process of removing the old unit. When installing the new unit, ensure the three-prong fork on the mounting plate is pointing toward the handle side of the door frame. Also, the middle prong must be positioned below the surface of the door frame and the two outside prongs above the surface of the door frame.
2. Install two unpainted flat head screws into the top of the hydraulic closer unit. The screws are provided in the clear hardware bag.



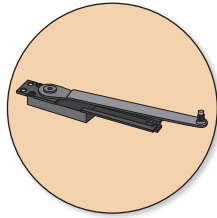
1. Pull the closer arm away from door frame towards the interior until it clears the hydraulic closer hole, then reinstall the locking pin into the top of the hydraulic closer unit.

1. Partially close the door and pull down slightly on the closer arm to align the bolt under the rain cap. Reconnect the hydraulic closer arm to the rain cap damper assembly using the provided hex wrench.

1. Open door fully and remove the locking pin from the top of the hydraulic closer unit.

1

REMOVE HYDRAULIC CLOSER AND INSTALL REPLACEMENT PART FOR FIXED LAMINATED (continued)



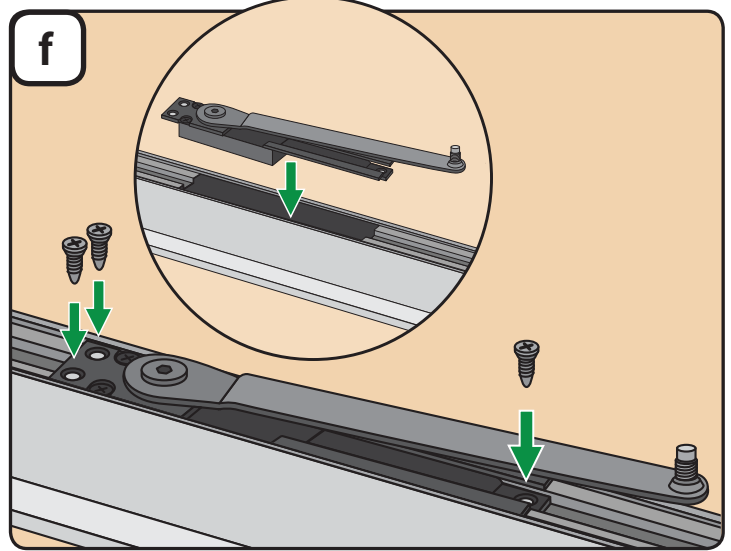
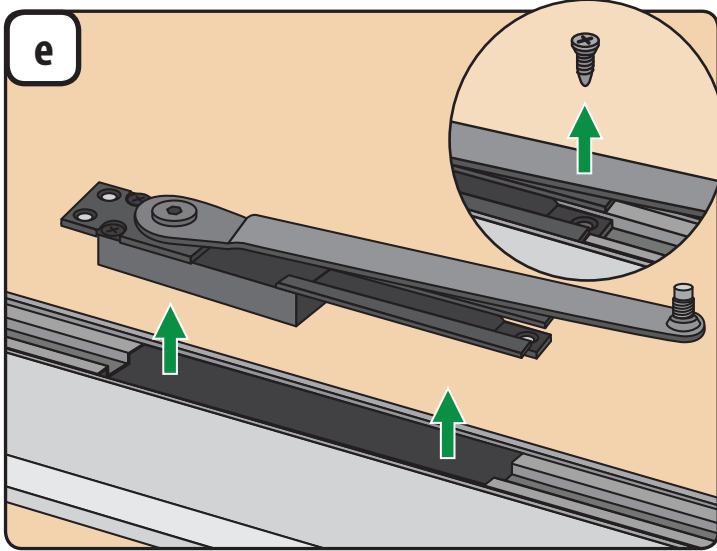
Tools recommended:



CLEAR HARDWARE BAG

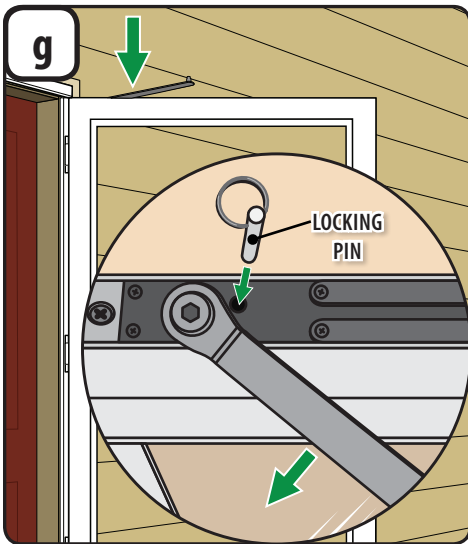


Unpainted Flat Head Screws (Qty 3)

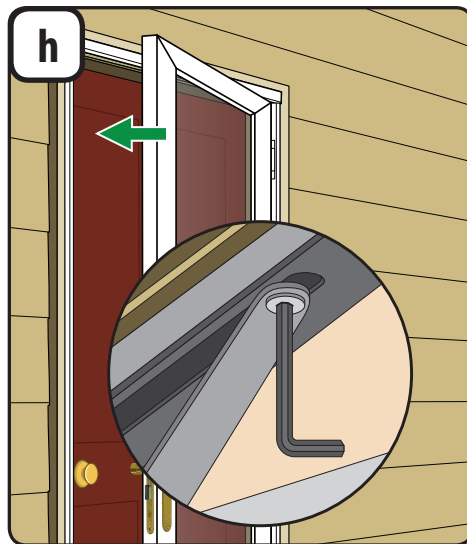


1. Using a Phillips screwdriver, remove the one additional unpainted screw from the other end of the hydraulic closer unit and properly dispose of the screw.
2. Lift up the hydraulic closer unit straight out of door frame and properly dispose of the hydraulic closer.

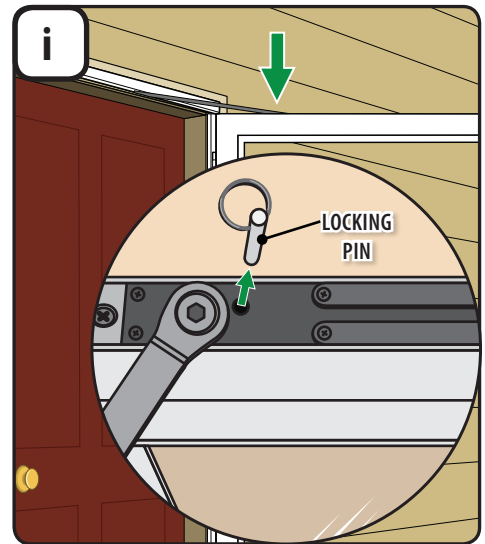
1. Install the new replacement hydraulic closer unit into the top of the door, being careful to position it so all three screw holes align with screw holes in door frame.
2. Install three unpainted flat head screws into the top of the hydraulic closer unit. The screws are provided in the clear hardware bag.



1. Pull the closer arm away from door frame towards the interior until it clears the hydraulic closer hole, then reinstall the locking pin into the top of the hydraulic closer unit.



1. Partially close the door and pull down slightly on the closer arm to align the bolt under the rain cap. Reconnect the hydraulic closer arm to the rain cap damper assembly using the provided hex wrench.



1. Open door fully and remove the locking pin from the top of the hydraulic closer unit.