

Installation Guide

Replacement SmoothControl+™ Glass filler strip for Andersen® 1-1/2" Self-Storing Storm Doors



Please Do Not Return Product to Store!

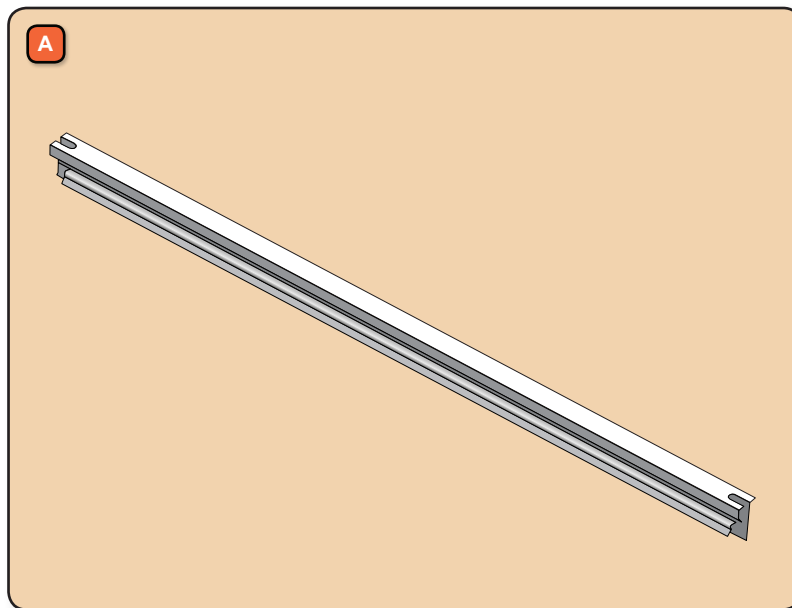
PLEASE call the storm door Solution Center at 1-800-933-3626, with any questions regarding installation, lost part replacement, or anything else related to your storm door purchase.

Read this entire guide before you begin your installation. If your abilities do not match the requirements of this installation, contact an experienced contractor.

PARTS OVERVIEW

Your installation kit should contain the following parts. However, in some door models, not all of the parts will be used.

A Glass Filler Strip



SAFETY FIRST: Please read and follow all Cautions and Warnings in this guide.

RECOMMENDED TOOLS



Safety Glasses



Hex Wrench



Work Gloves

CAUTION

Some components may contain sharp edges. Wear appropriate protective equipment to avoid potential injury.



This is the Safety Alert Symbol used to alert you to potential injury hazards. Obey all safety messages that follow this symbol to avoid possible injury or death.

Signal Word and Consequence

COULD Result in:  **WARNING** Major Injury / Death

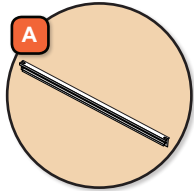
COULD Result in:  **CAUTION** Minor Injury

COULD Result in:  **NOTICE** Product or Property Damage

IMPORTANT Procedure and Product Information

1

REMOVE GLASS FILLER STRIP AND INSTALL REPLACEMENT PART

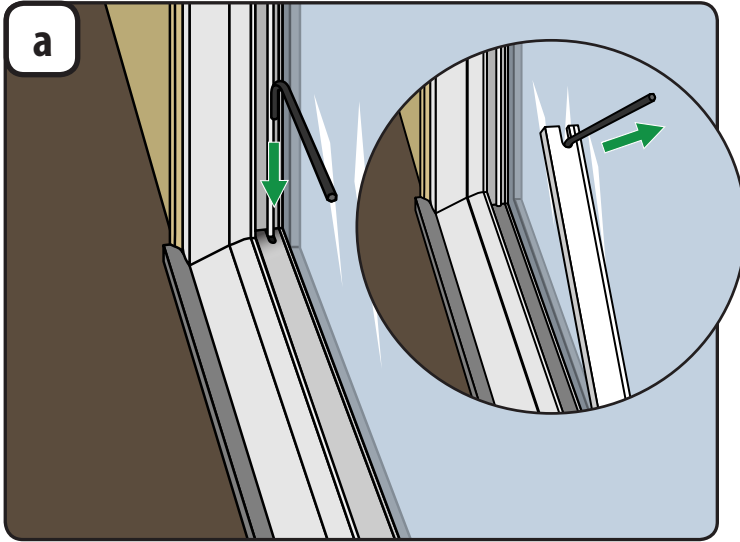


Glass Filler Strip

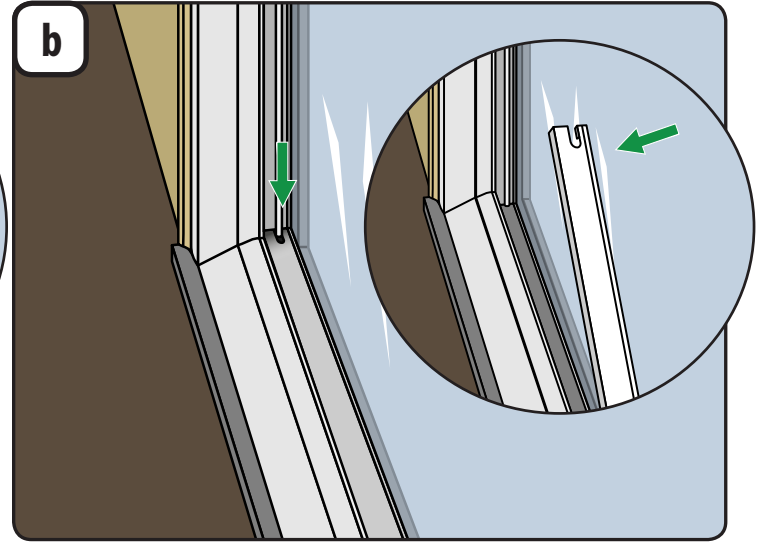
Tools recommended:



Hex Wrench



1. With a small hook shaped object like a hex wrench, slide the hooked end into the slot at either end of the glass filler strip and rotate so hook is under the strip.
2. Lift up and remove old glass filler strip and dispose of properly.



1. Install the replacement glass filler strip in the reverse manner making sure the flexible fin on the new part is at the top and against the glass.