

Installation Guide

Replacement Screen Glides for Andersen® LuminAire™ Retractable Insect Screen Door

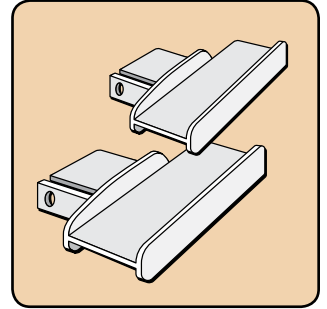
For installation help please visit www.AndersenLuminAire.com/install



Please Do Not Return Product to Store!

PLEASE call the Storm Door Solution Center at 844-813-6664, with any questions regarding installation, lost part replacement, or anything else related to your retractable insect screen purchase. Replacement parts can also be found at: parts.andersenstormdoors.com

Read this entire guide before you begin your installation. If your abilities do not match the requirements of this installation, contact an experienced contractor.



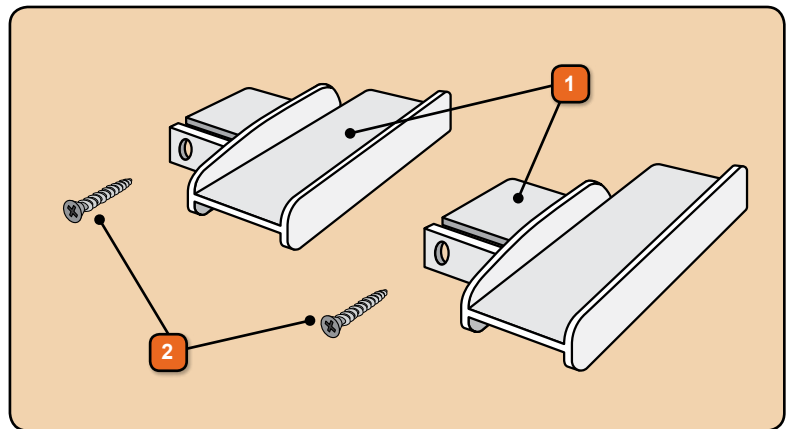
PARTS OVERVIEW

Your replacement part should contain the following parts.

- 1 Screen Glides (top & bottom)
- 2 Screen Glide Screws

NOTICE

To avoid product damage, be sure to place all parts of your retractable insect screen on a soft non-abrasive surface such as carpet, drop cloth placed on your lawn or cardboard.



SAFETY FIRST: Please read and follow all Cautions and Warnings in this guide.

WARNING
Follow manufacturers' instructions for hand and power tools. Always wear safety glasses. Failure to do so could result in injury, product or property damage.

WARNING
Windows and doors can be heavy. Use safe lifting techniques and a reasonable number of people with enough strength to lift, carry, and install window and door products. Heavier windows and doors will require mechanical assistance. Failure to do so could result in injury, product or property damage.

CAUTION
Metal components of the retractable insect screen may become hot when exposed to sunlight.

WARNING
Metal fasteners and components could corrode when exposed to preservative-treated or fire-retardant treated lumber. Use approved fasteners and components to fasten window or door. Failure to do so could cause a failure resulting in injury, product or property damage.

IMPORTANT
The retractable insect screen is intended for reasonable insect control and not the retention of objects, persons, or pets within the interior. The retractable insect screen will not stop a person from falling through the door.

Fastener must attach to a structural framing member with a 1" minimum fastener embedment. Failure to do so could result in injury, product or property damage.
DO NOT remove screws that attached installation clips or gusset plates to window or door frames. Doing so could result in injury, product or property damage.

RECOMMENDED TOOLS

Drill

#2 Phillips Bit (provided)

Screwdrivers

Safety Glasses

Sealant

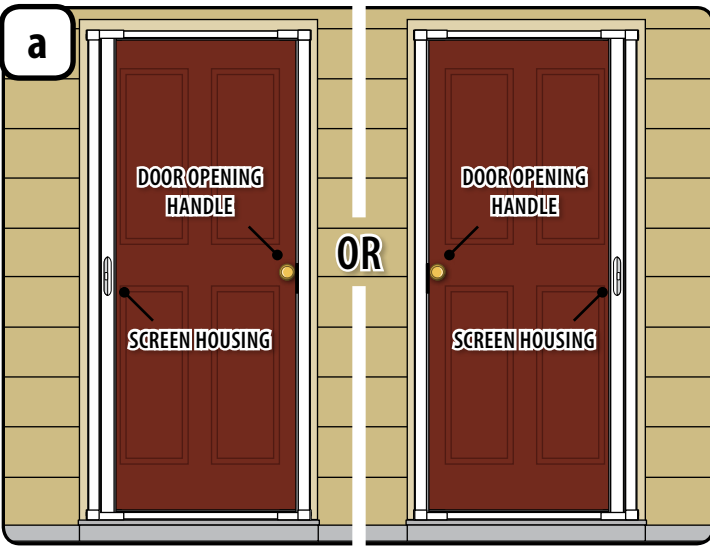
Work Gloves

WARNING This is the Safety Alert Symbol used to alert you to potential injury hazards. Obey all safety messages that follow this symbol to avoid possible injury or death.

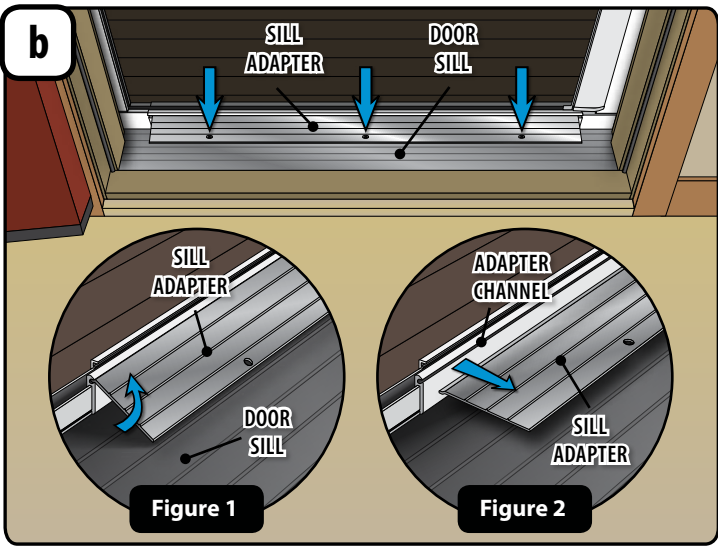
Signal Word and Consequence

COULD Result in:	WARNING Major Injury / Death	COULD Result in:	CAUTION Minor Injury
COULD Result in:	NOTICE Product or Property Damage	IMPORTANT Procedure and Product Information	

1 REMOVAL Tools Recommended: #2 Phillips Bit (provided)

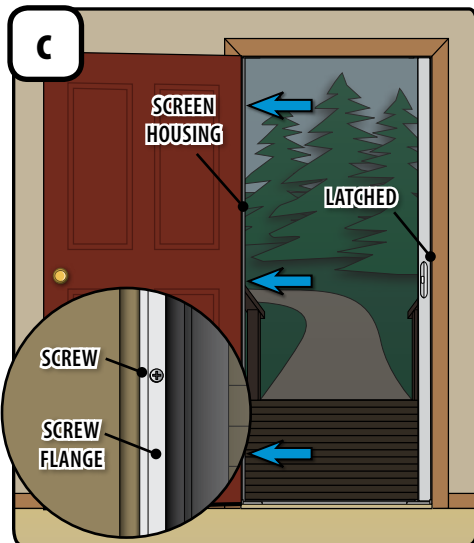


a From the exterior of the screen assembly, take note of the screen assemblies orientation. This is the orientation the screen assembly should be in when reinstalled.

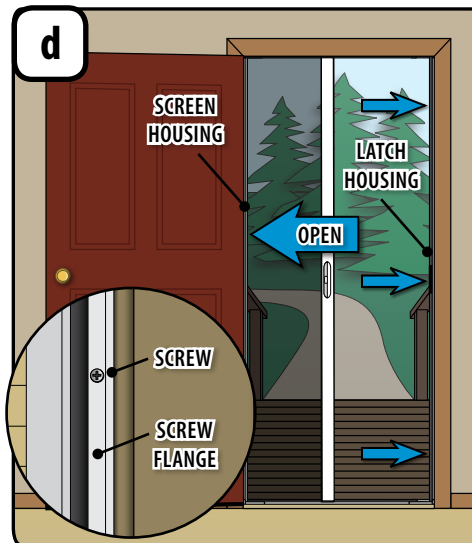


b1 From the interior of the screen assembly, remove the three screws from the Sill Adapter.
b2 Rotate Sill Adapter up and pull out of Adapter Channel (see Figures 1 & 2).
b3 Save the Sill Adapter for reinstallation in future step.

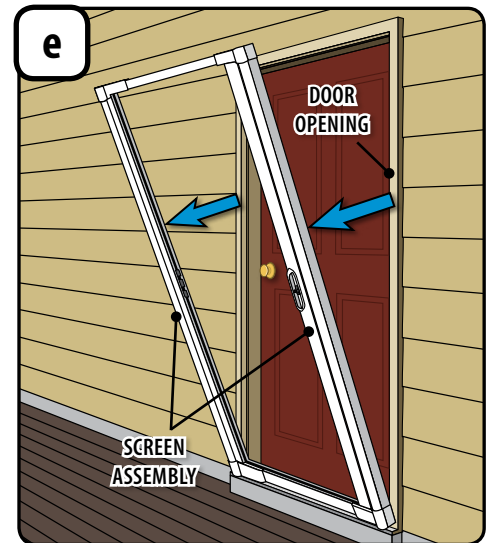
1 REMOVAL - Continued



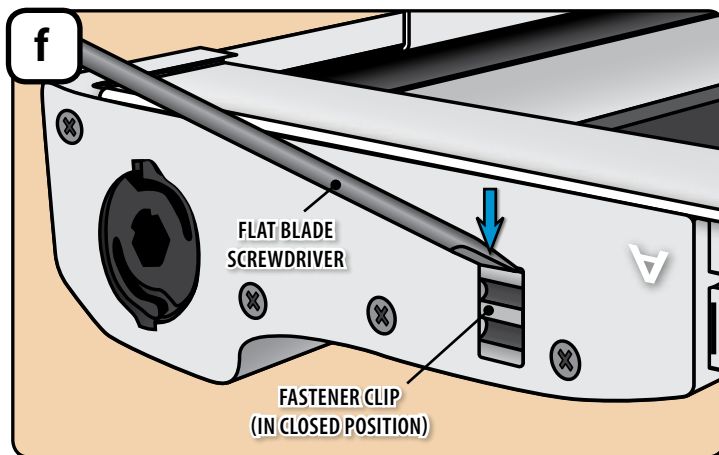
c From the interior of the screen assembly, with the screen extended and in the latched position, remove the three screws from the **Screw Flange** on the **Screen Housing** side.



d Unlatch and open the inset screen. Remove the three screws on the **Screw Flange** on the **Latch Housing** side, supporting the screen assembly as needed.

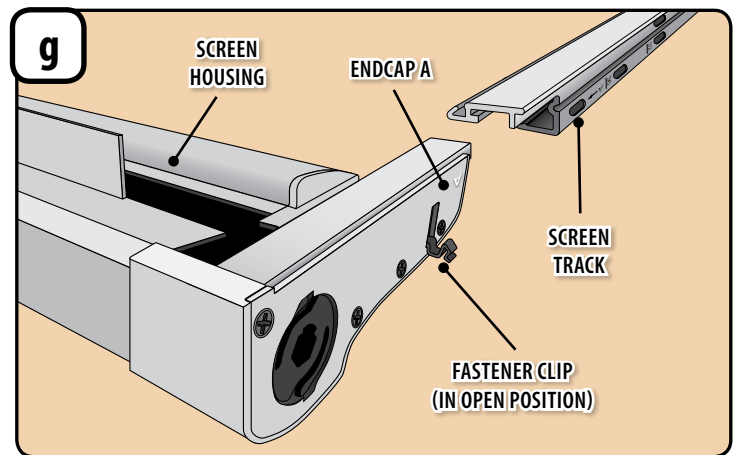


e Carefully tip and lift **Screen Assembly** out of **Door Opening** and place it flat, with the interior side facing up, on a non-abrasive surface.



f1 On endcap A, with a **Flat Blade Screwdriver**, apply downward pressure on the **Fastener Clip** and rotate into the open position.

f2 Repeat this step for endcap C.

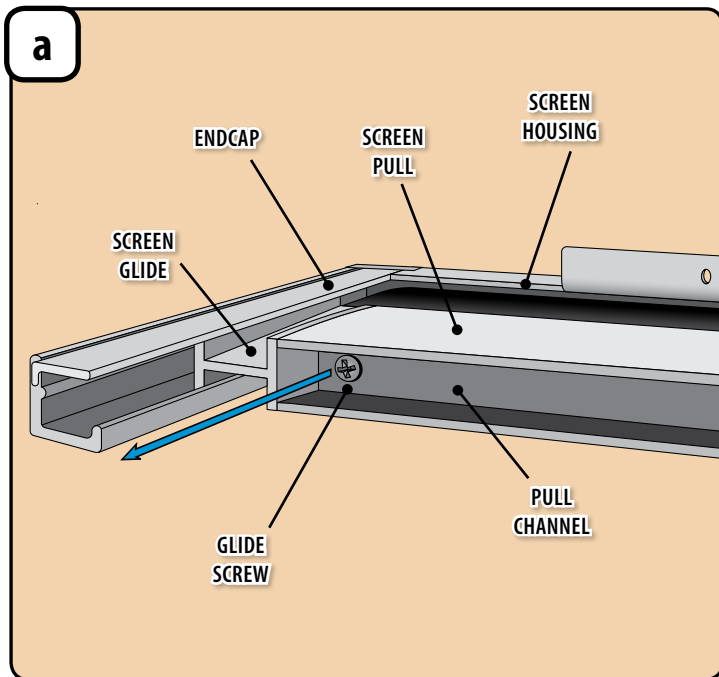


g With both **Fastener Clips** in the open position, carefully slide the **Screen Housing** off of both **Screen Tracks** (sides A and C).

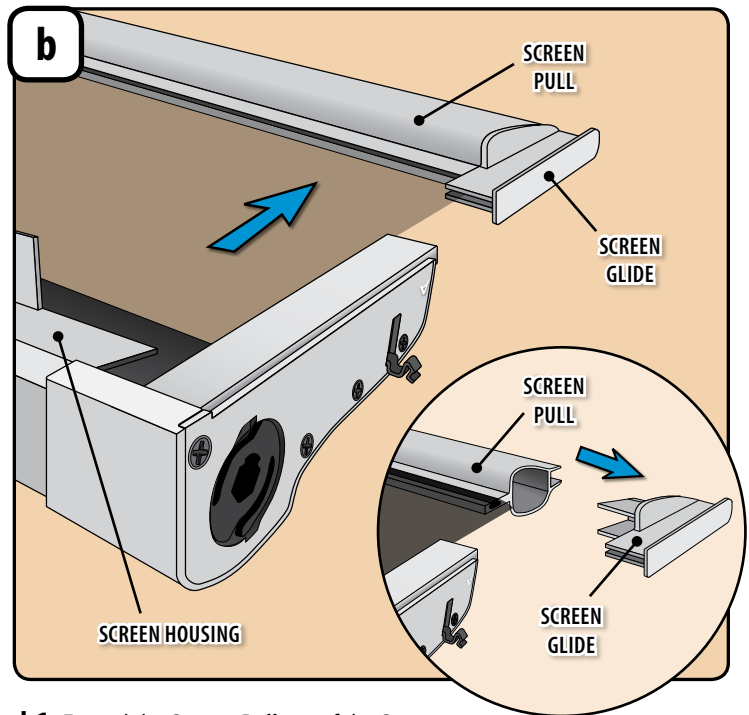
2

REPLACE THE GLIDES

Tools Recommended:

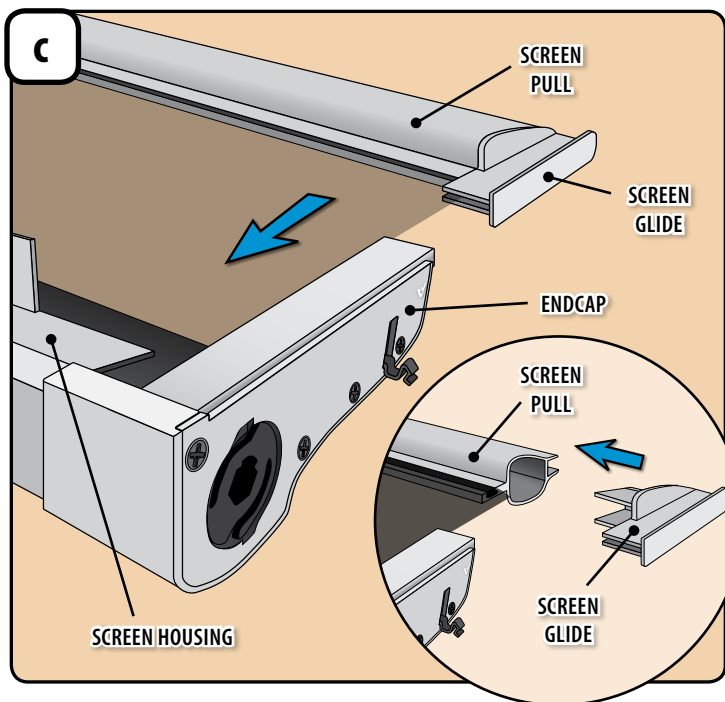


a On the Screen Housing near the Endcap, remove the Glide Screw from the Screen Pull in the Pull Channel with a Phillips screwdriver.



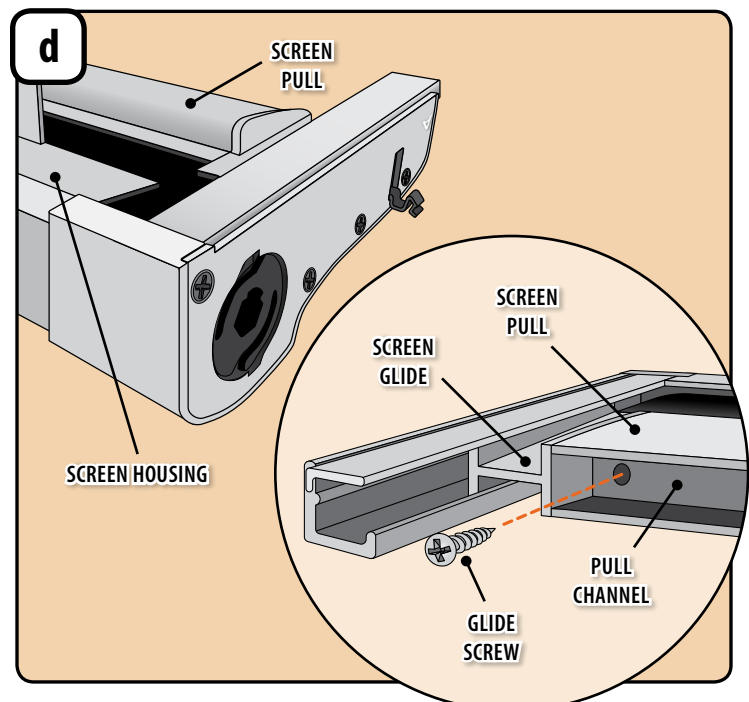
b1 Extend the Screen Pull out of the Screen Housing until you are able to access the Screen Glide.

b2 Slide the Screen Guide off the end of the Screen Pull and dispose of properly.



c1 Slide the replacement Screen Glide into the Screen Pull, making sure the insect screen slides into the Screen Glide and remains flat.

c2 Retract the Screen Pull back into the Screen Housing, making sure the Screen Glide seats into the Endcap.

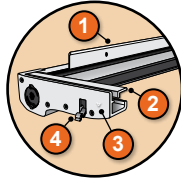


d1 With the Screen Pull retracted back into the Screen Housing, install the Glide Screw with a Phillips screwdriver into the Pull Channel.

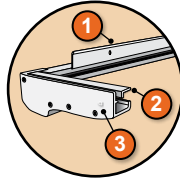
d2 Repeat these steps for the other end of Screen Housing if needed.

3

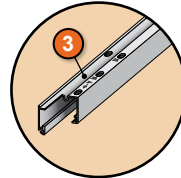
REASSEMBLE SCREEN TRACKS & HOUSINGS



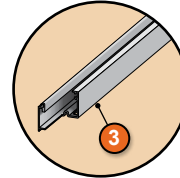
Screen Housing



Latch Housing



Screen Track (A/B)

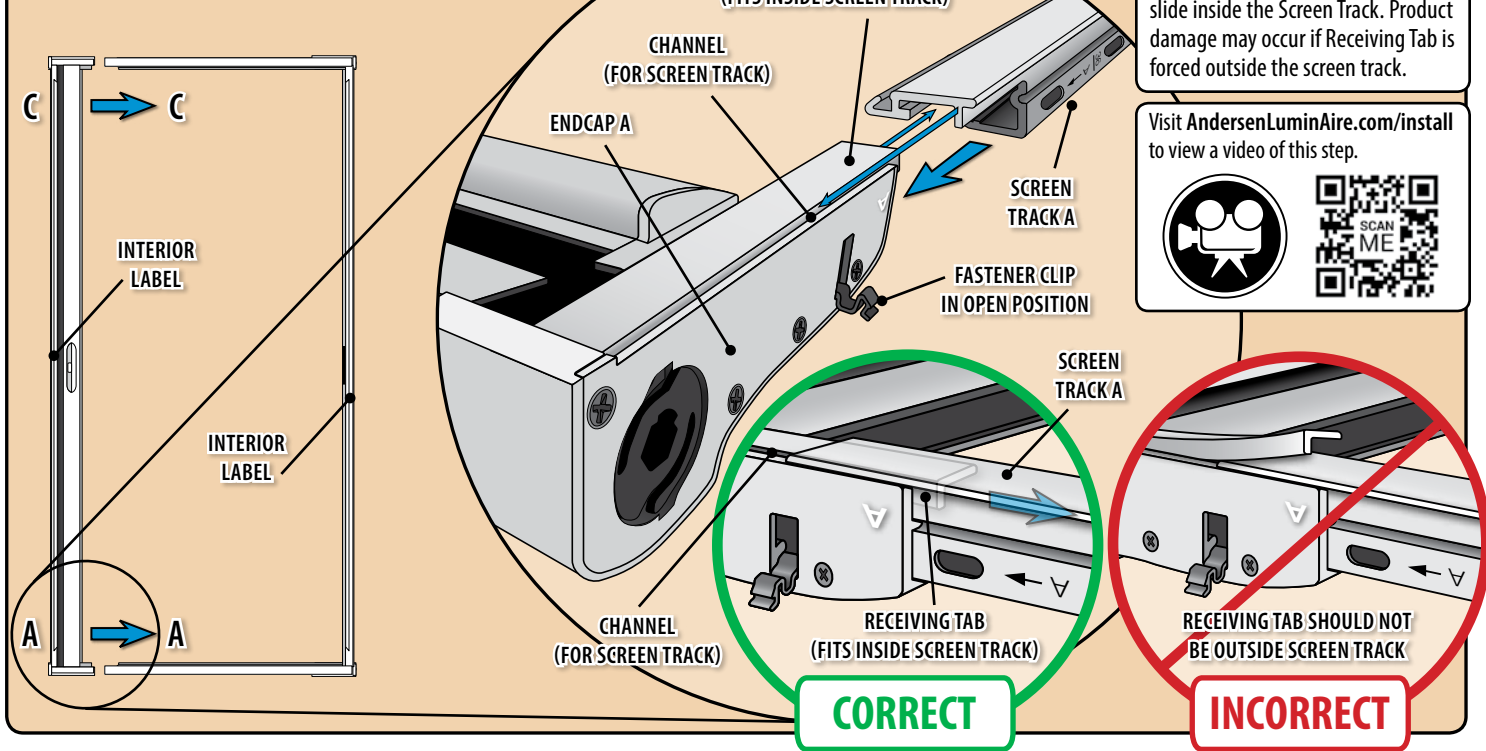


Screen Track (C/D)

KEY REFERENCES

- 1 Screw Flanges
- 2 Receiving Tabs
- 3 Letter Labels
- 4 Fastener Clips

a ALL ITEMS DURING THE ASSEMBLY STEPS SHOULD BE LAYING FLAT ON THE GROUND



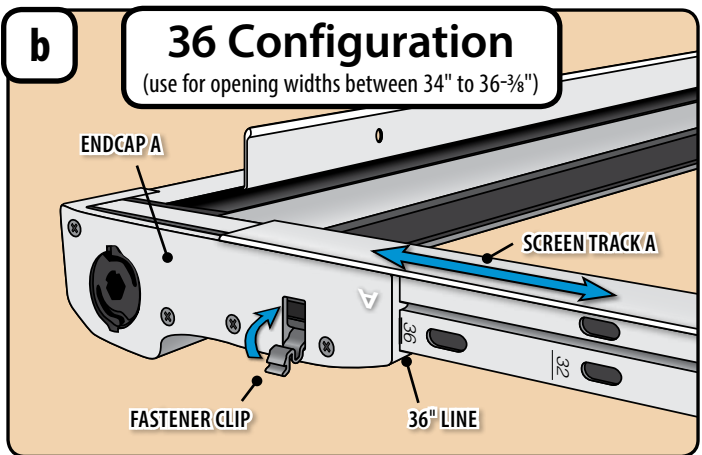
NOTICE

Receiving Tabs on the Endcaps must slide inside the Screen Track. Product damage may occur if Receiving Tab is forced outside the screen track.

Visit AndersenLuminAire.com/install to view a video of this step.

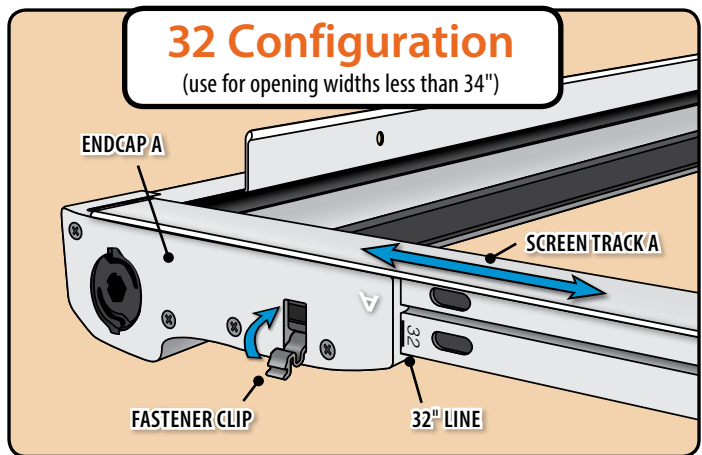


- a1** With the side labeled **Interior** facing up. Leaving the screen in the retracted position, arrange the components so the letters marked on the **Screen Tracks** and the letters marked on the **Endcaps** align (A to A, and C to C).
- a2** Confirm the **Fastener Clips** on endcaps A and C are in the open position. Starting at corner A, slide the **Receiving Tab** on **Endcap A** inside the **Screen Track**. Make sure the **Receiving Tab** fits inside the **Screen Track**, and the **Screen Track** slides into the **Channel**. (see "correct" above). Repeat the step for corner C. (Visit AndersenLuminAire.com/Install to view a video of this step.)
- a3** Use the "36 Configuration" for openings 34 - 36 3/8" wide or "32 Configuration" for openings less than 34" wide in step b.



- b1** If the opening is between 34" and 36 3/8", adjust **Screen Track A** until **36" line** aligns with edge of **Endcap A**.
- b2** Rotate the **Fastener Clip** up until it snaps into the closed position.
- b3** Repeat steps for side C.

OR



- b1** If the opening is less than 34", adjust **Screen Track A** until **32" line** aligns with edge of **Endcap A**.
- b2** Rotate the **Fastener Clip** up until it snaps into the closed position.
- b3** Repeat steps for side C.

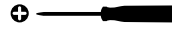
4

PLACE AND FASTEN ASSEMBLY INTO OPENING

Tools Recommended:

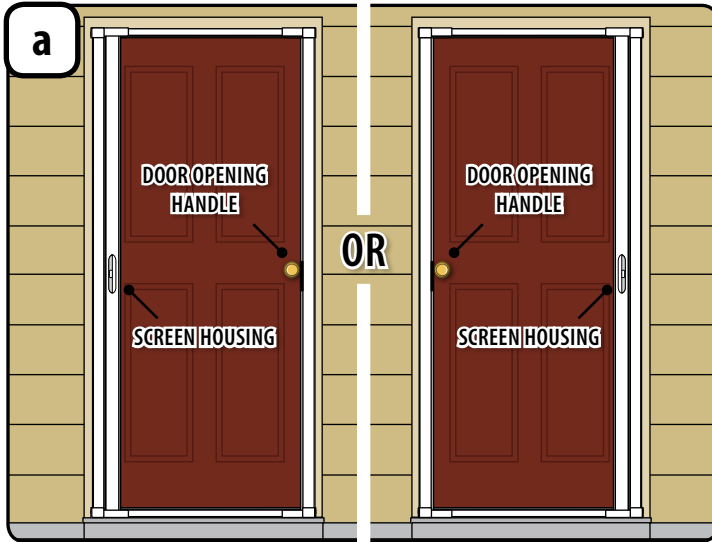


#2 Phillips
(provided)

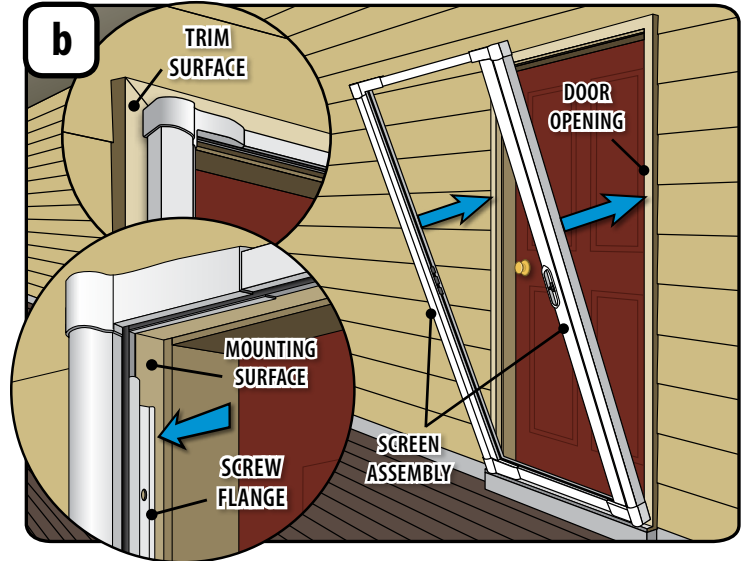


SCREW PACK

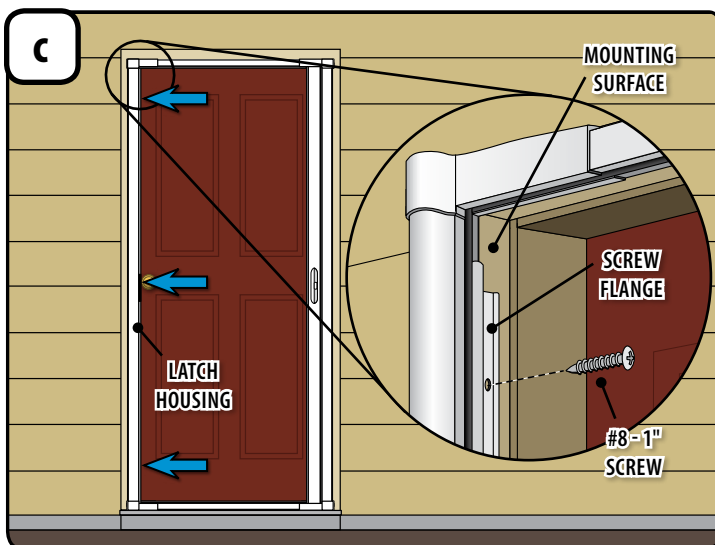
#8-1"
(Qty 6)



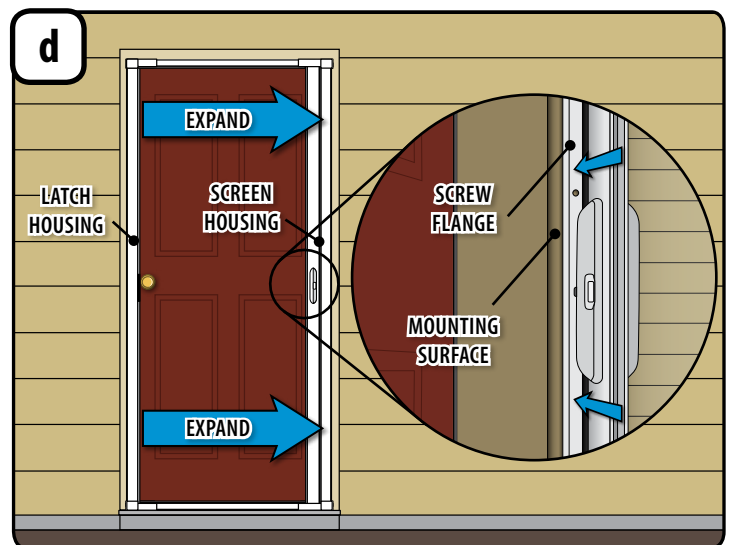
- a** With the interior of the screen assembly facing the door opening, rotate the assembly so the **Screen Housing** is on the opposite side of the **Door Opening Handle**.



- b1** The screen assembly may be narrower than your opening until fully expanded in the following steps.
- b2** Start by placing the **Screen Assembly** onto the exterior **Trim Surface**, with the **Screw Flanges** extending into the **Door Opening**. Rest the bottom of the screen assembly onto your sill or support blocking.
- b3** Slide the screen assembly in the door opening until the **Latch Housing** side **Screw Flange** is tight to the **Mounting Surface**.

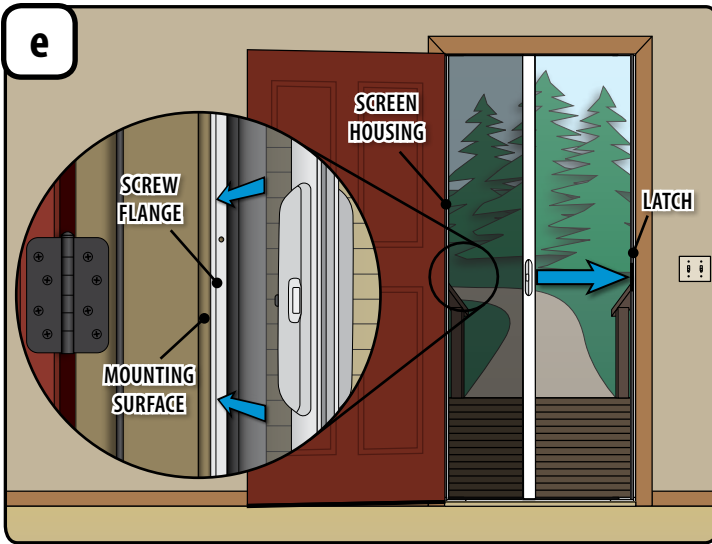


- c1** Verify the **Latch Housing** side **Screw Flange** is tight to **Mounting Surface**.
- c2** Align the three holes on the **Latch Housing** side **Screw Flange** with the three existing holes in the **Mounting Surface**.
- c3** With three of the #8 - 1" screws, fasten **Latch Housing** side of screen assembly to the **Mounting Surface**. (Be careful not to over tighten)

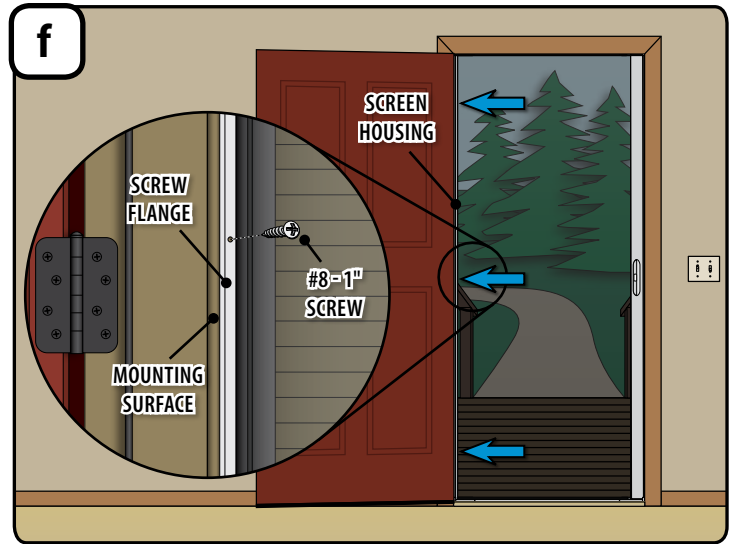


- d** Expand screen assembly by sliding **Screen Housing** side until the **Screw Flange** is tight to the **Mounting Surface**.

4 PLACE AND FASTEN ASSEMBLY - Continued



e From the interior of the screen assembly, hold the Screen Housing side Screw Flange against the Mounting Surface, extend the insect screen across the assembly and latch. Orange Installation Clips can come off and be properly disposed of.

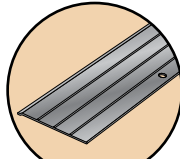


f1 With the Screen Housing side Screw Flange tight to Mounting Surface, align the three holes on the Screen Housing side Screw Flange with the three existing holes in the Mounting Surface.

f2 With the three remaining #8 - 1" screws, fasten Screen Housing to the Mounting Surface. (Be careful not to over tighten)

5

PLACE AND FASTEN SILL ADAPTER



Sill Adapter

Tools Recommended:

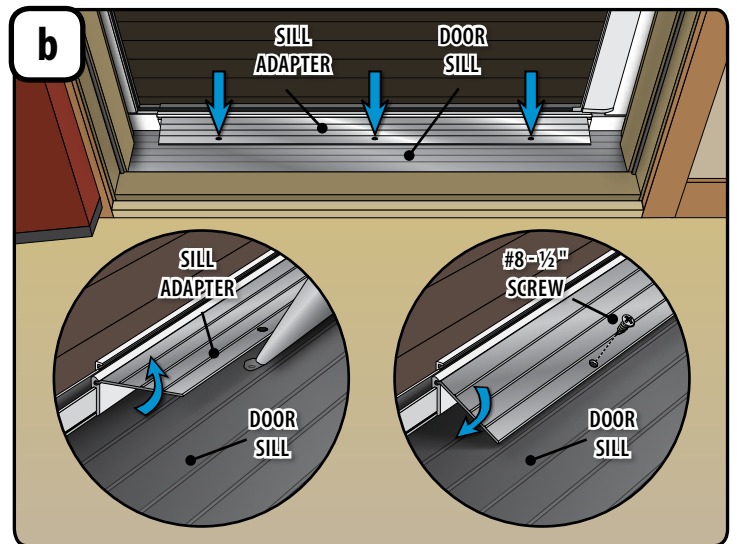
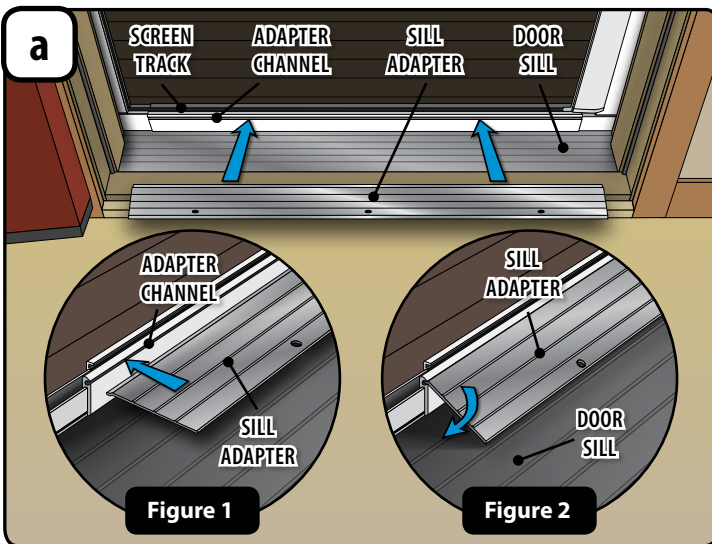


#2 Phillips
(provided)



SCREW PACK

#8 - 1/2"
(Qty 3)



- a1** Thoroughly clean the Door Sill.
- a2** From the interior of screen assembly, position Sill Adapter with the textured side up and screw holes in toward the interior of the home.
- a3** Insert edge of the Sill Adapter into the Adapter Channel located on the Screen Track (see Figure 1).
- a4** Rotate the Sill Adapter down to the Door Sill to make sure the three holes in the Sill Adapter align with the three existing holes in your Door Sill. (see Figure 2).

- b1** Lift Sill Adapter and apply sealant into the holes until sealant overflows onto Door Sill surface.
- b2** Rotate the Sill Adapter back down to the Door Sill and fasten using three #8 - 1/2" Self-Tapping Screws. Cleanup excess sealant.

LUMINAIRE™
RETRACTABLE SCREEN DOOR

WINDOWS • DOORS
Andersen® 

1-844-813-6664