

Installation Guide

Replacement Screen Tracks and Sill Adapter for Andersen® LuminAire™ Retractable Insect Screen Door

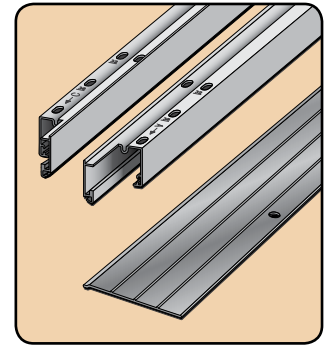
For installation help please visit www.AndersenLuminAire.com/install



Please Do Not Return Product to Store!

PLEASE call the Storm Door Solution Center at 844-813-6664, with any questions regarding installation, lost part replacement, or anything else related to your retractable insect screen purchase. Replacement parts can also be found at: parts.andersenstormdoors.com

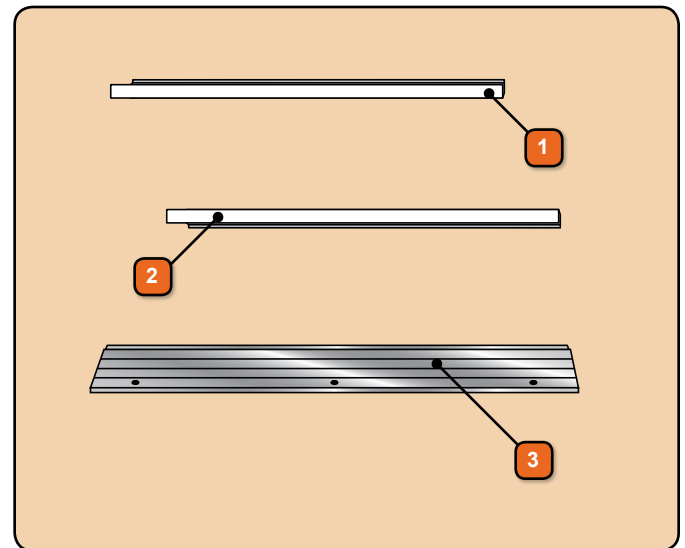
Read this entire guide before you begin your installation. If your abilities do not match the requirements of this installation, contact an experienced contractor.



PARTS OVERVIEW

Your replacement part should contain the following parts.

- 1 Screen Track Marked A and B
- 2 Screen Track Marked C and D
- 3 Sill Adapter
- 4 **Not Shown**
Screw Pack *containing:*
 - 1 inch #8 screws (qty 6)
 - ½ inch #8 self-tapping screws (qty 3)
 - ⅛ inch Drill Bit
 - #2 Phillips Bit



NOTICE

To avoid product damage, be sure to place all parts of your retractable insect screen on a soft non-abrasive surface such as carpet, drop cloth placed on your lawn or cardboard.

SAFETY FIRST: Please read and follow all Cautions and Warnings in this guide.

WARNING
Follow manufacturers' instructions for hand and power tools. Always wear safety glasses. Failure to do so could result in injury, product or property damage.

WARNING
Windows and doors can be heavy. Use safe lifting techniques and a reasonable number of people with enough strength to lift, carry, and install window and door products. Heavier windows and doors will require mechanical assistance. Failure to do so could result in injury, product or property damage.

CAUTION
Metal components of the retractable insect screen may become hot when exposed to sunlight.

WARNING
Metal fasteners and components could corrode when exposed to preservative-treated or fire-retardant treated lumber. Use approved fasteners and components to fasten window or door. Failure to do so could cause a failure resulting in injury, product or property damage.

IMPORTANT
The retractable insect screen is intended for reasonable insect control and not the retention of objects, persons, or pets within the interior. The retractable insect screen will not stop a person from falling through the door.

Fastener must attach to a structural framing member with a 1" minimum fastener embedment. Failure to do so could result in injury, product or property damage.
DO NOT remove screws that attached installation clips or gusset plates to window or door frames. Doing so could result in injury, product or property damage.

RECOMMENDED TOOLS

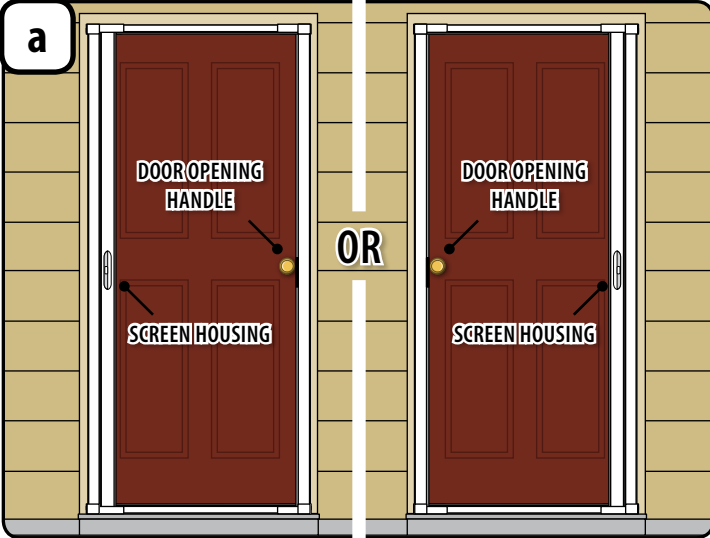
Drill
#2 Phillips Bit (provided)
Screwdrivers
Safety Glasses
Sealant
Work Gloves

WARNING This is the Safety Alert Symbol used to alert you to potential injury hazards. Obey all safety messages that follow this symbol to avoid possible injury or death.

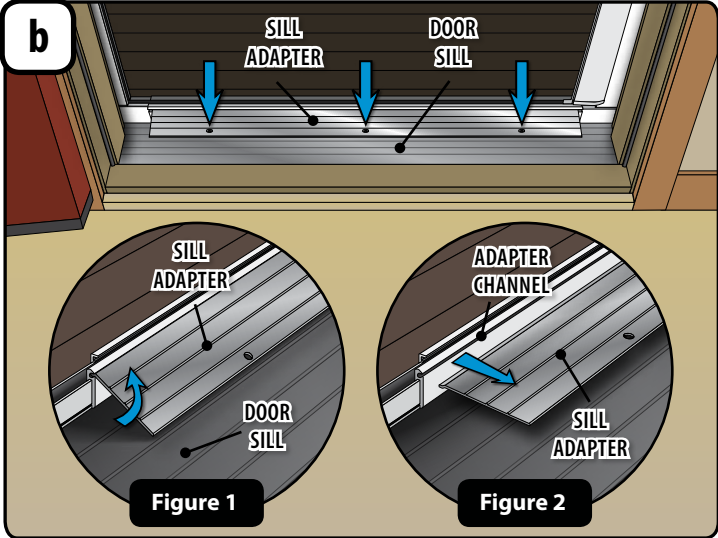
Signal Word and Consequence

COULD Result in:	WARNING Major Injury / Death	COULD Result in:	CAUTION Minor Injury
COULD Result in:	NOTICE Product or Property Damage	IMPORTANT Procedure and Product Information	

1 REMOVAL Tools Recommended: #2 Phillips Bit (provided)

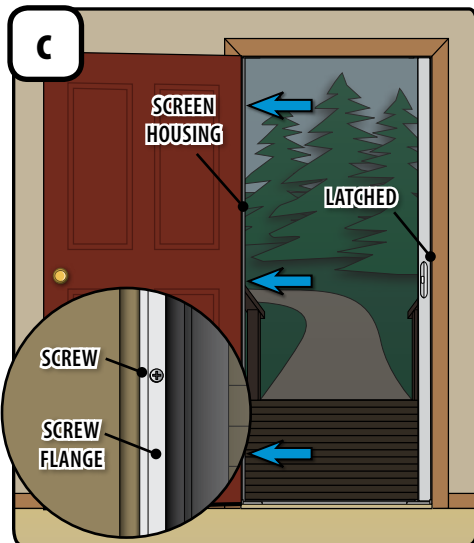


a From the exterior of the screen assembly, take note of the screen assemblies orientation. This is the orientation the screen assembly should be in when reinstalled.

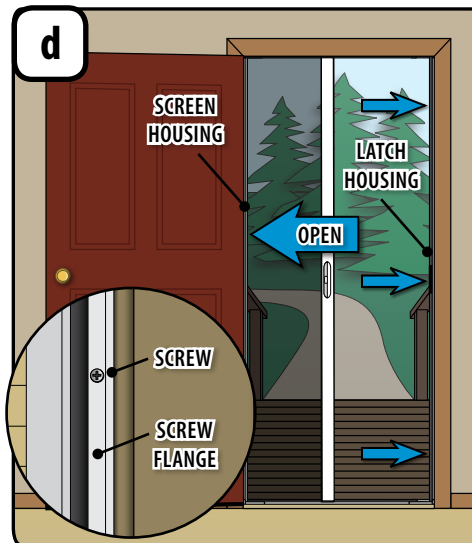


b1 From the interior of the screen assembly, remove the three screws from the Sill Adapter.
b2 Rotate Sill Adapter up and pull out of Adapter Channel (see Figures 1 & 2).
b3 Compare your existing Sill Adapter with your replacement Sill Adapter and confirm they're the same length. If it has been cut down, you will have to reference Appendix A on page 7. Dispose of the existing Sill Adapter properly.

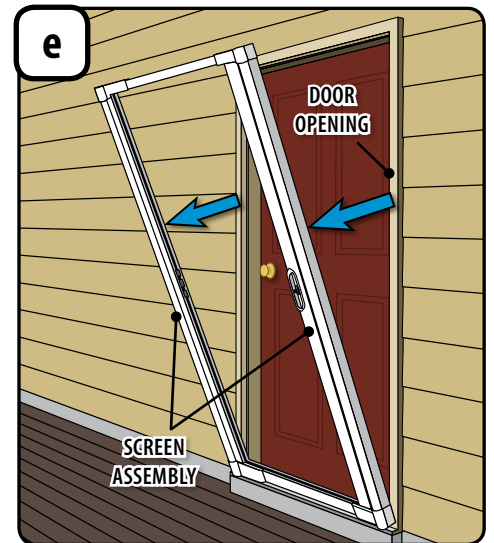
1 REMOVAL - Continued



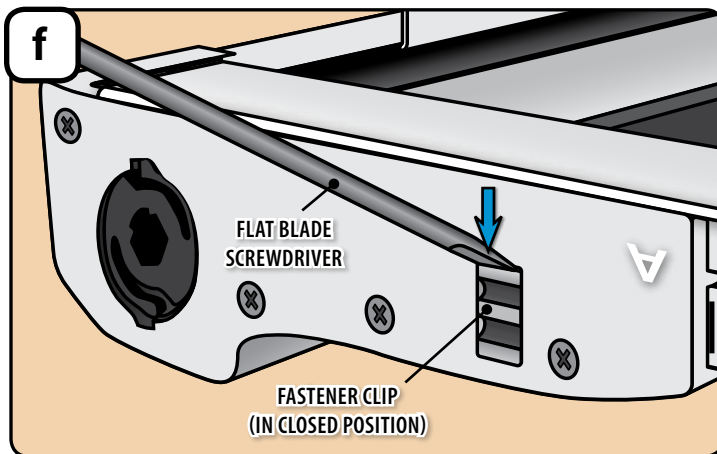
c From the interior of the screen assembly, with the screen extended and in the latched position, remove the three screws from the **Screw Flange** on the **Screen Housing** side.



d Unlatch and open the inset screen. Remove the three screws on the **Screw Flange** on the **Latch Housing** side, supporting the screen assembly as needed.

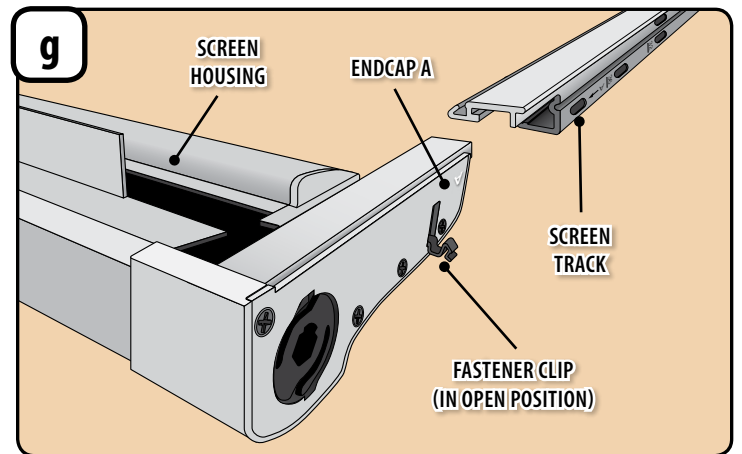


e Carefully tip and lift **Screen Assembly** out of **Door Opening** and place it flat, with the interior side facing up, on a non-abrasive surface.



f1 On endcap A, with a **Flat Blade Screwdriver**, apply downward pressure on the **Fastener Clip** and rotate into the open position.

f2 Repeat this step for endcap C.

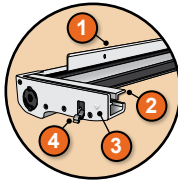


g1 With both **Fastener Clips** in the open position, carefully slide the **Screen Tracks** out of all four **End Caps**. (A, B, C and D).

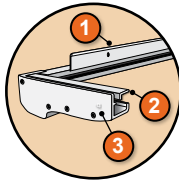
g2 Compare your existing **Screen Tracks** with your replacement **Screen Tracks** and confirm they're the same length. If they've been cut down, you will have to reference Appendix A on page 7. Dispose of the existing **Screen Tracks** properly.

2

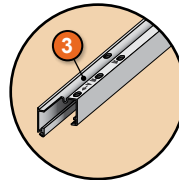
REASSEMBLE SCREEN TRACKS & HOUSINGS



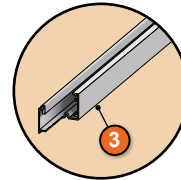
Screen Housing



Latch Housing



Screen Track (A/B)

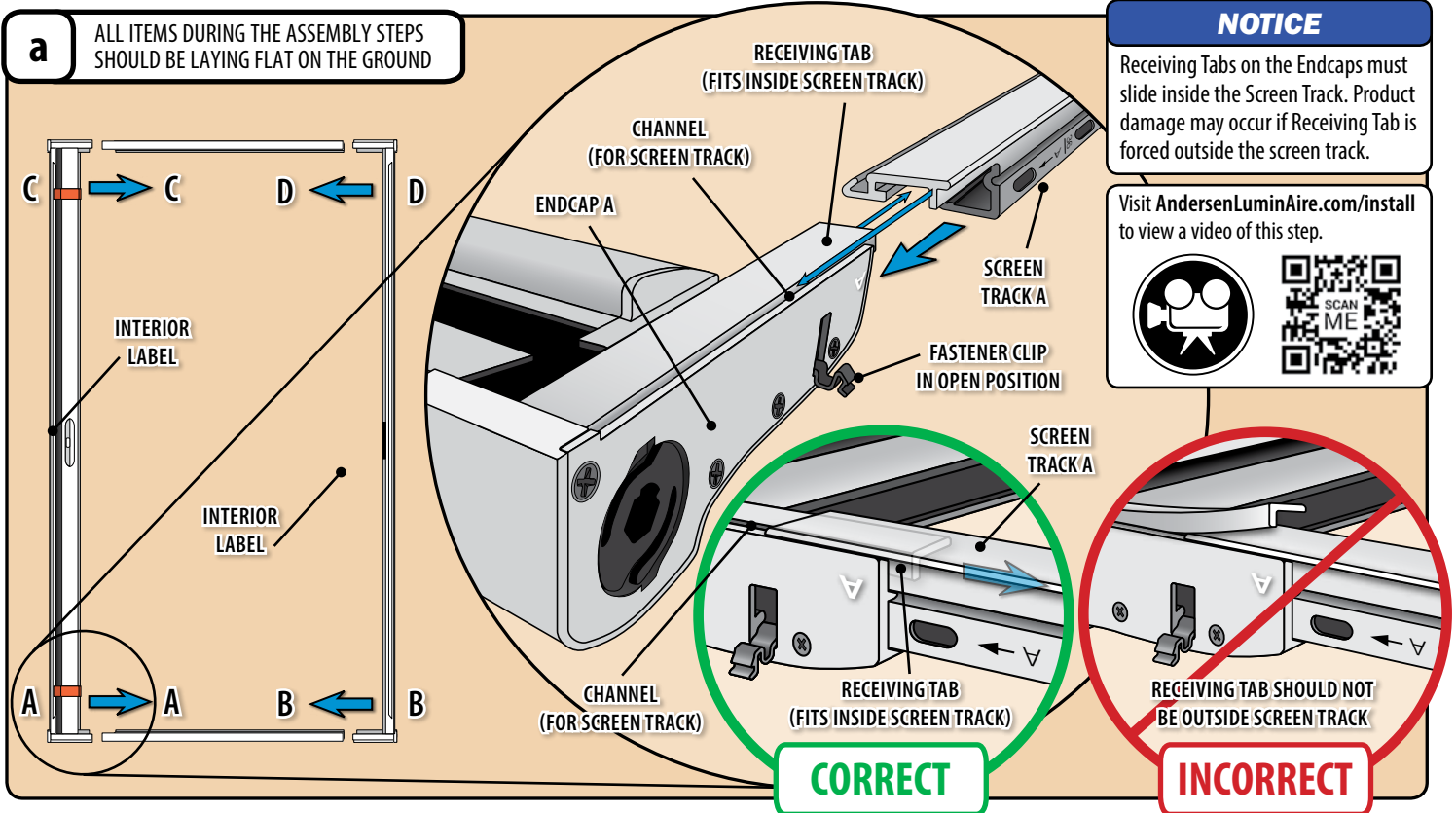


Screen Track (C/D)

KEY REFERENCES

- 1 Screw Flanges
- 2 Receiving Tabs
- 3 Letter Labels
- 4 Fastener Clips

a ALL ITEMS DURING THE ASSEMBLY STEPS SHOULD BE LAYING FLAT ON THE GROUND

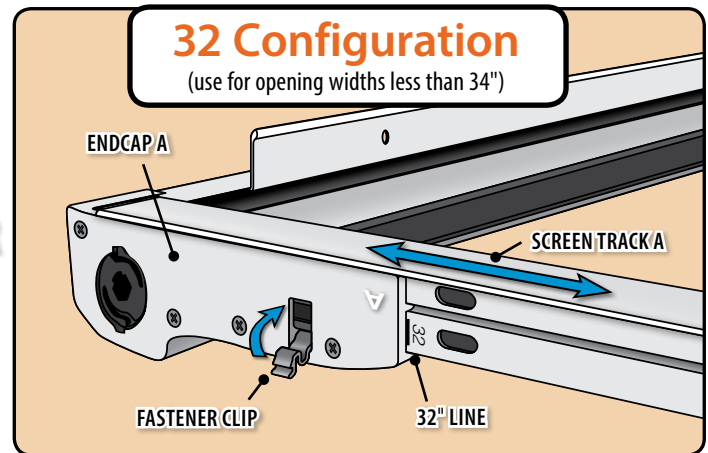
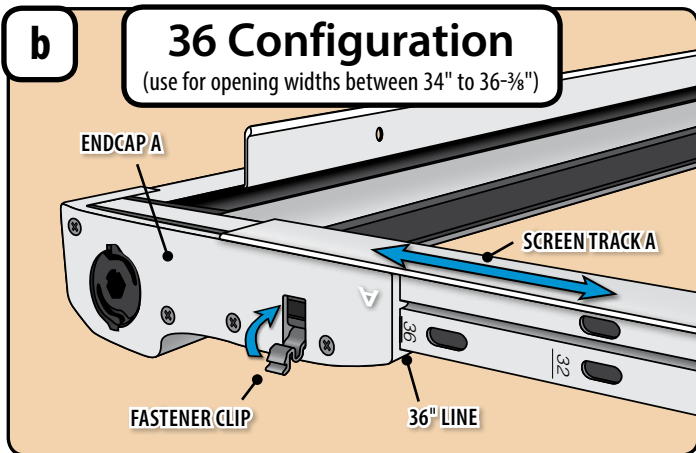


NOTICE
Receiving Tabs on the Endcaps must slide inside the Screen Track. Product damage may occur if Receiving Tab is forced outside the screen track.

Visit AndersenLuminAire.com/install to view a video of this step.



- a1** With the side labeled Interior facing up. Leaving the screen in the retracted position, arrange the components so the letters marked on the Screen Tracks and the letters marked on the Endcaps align (A to A, B to B, C to C and D to D).
- a2** Confirm the Fastener Clips on endcaps A and C are in the open position. Starting at corner A, slide the Receiving Tab on Endcap A inside the Screen Track. Make sure the Receiving Tab fits inside the Screen Track, and the Screen Track slides into the Channel. (see "correct" above). Repeat the step for corner C, then continue to corners B and D. They do not have Fastener Clips, which allows the door assembly to adjust to your door opening width. (Visit AndersenLuminAire.com/Install to view a video of this step.)
- a3** Use the "36 Configuration" for openings 34 - 36 3/8" wide or "32 Configuration" for openings less than 34" wide in step b.



- b1** If the opening is between 34" and 36 3/8", adjust Screen Track A until 36" line aligns with edge of Endcap A.
- b2** Rotate the Fastener Clip up until it snaps into the closed position.
- b3** Repeat steps for side C.

- b1** If the opening is less than 34", adjust Screen Track A until 32" line aligns with edge of Endcap A.
- b2** Rotate the Fastener Clip up until it snaps into the closed position.
- b3** Repeat steps for side C.

3

PLACE AND FASTEN ASSEMBLY INTO OPENING

Tools Recommended:

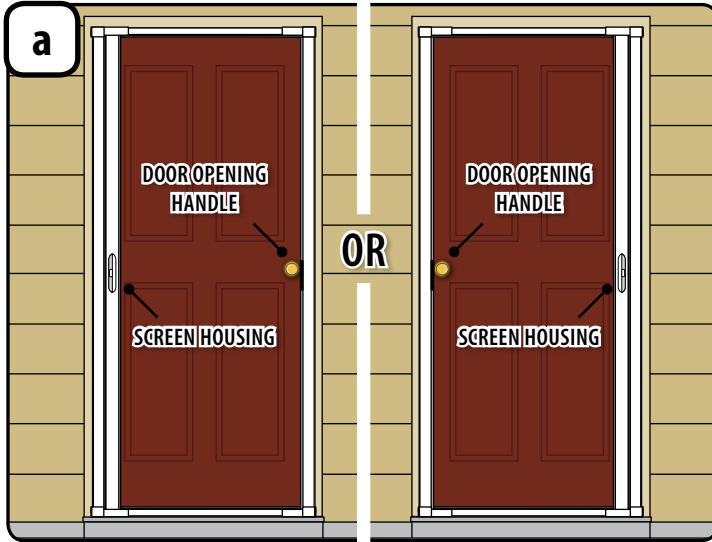


#2 Phillips Bit
(provided)

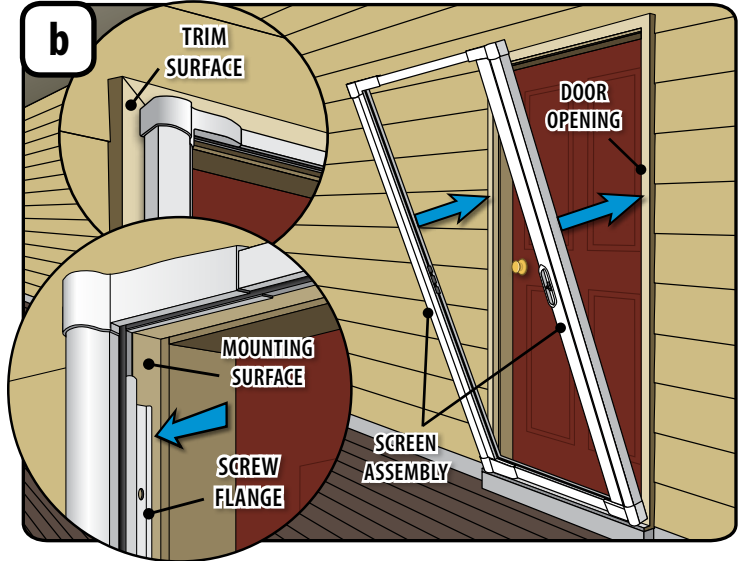


SCREW PACK

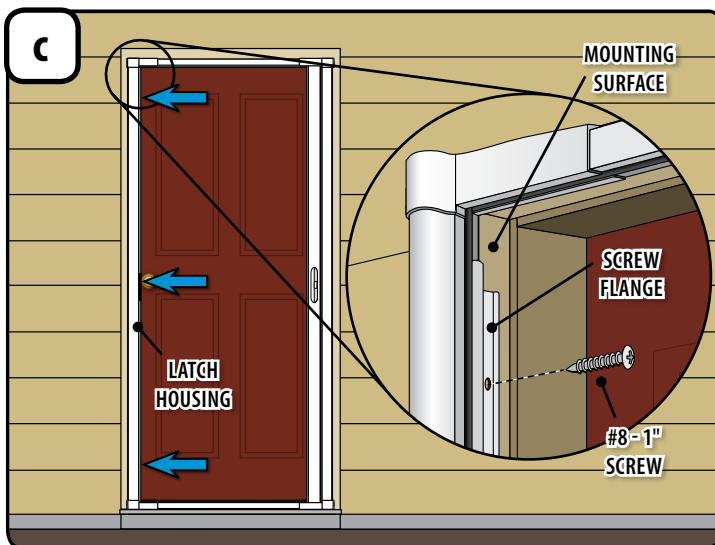
#8-1"
(Qty 6)



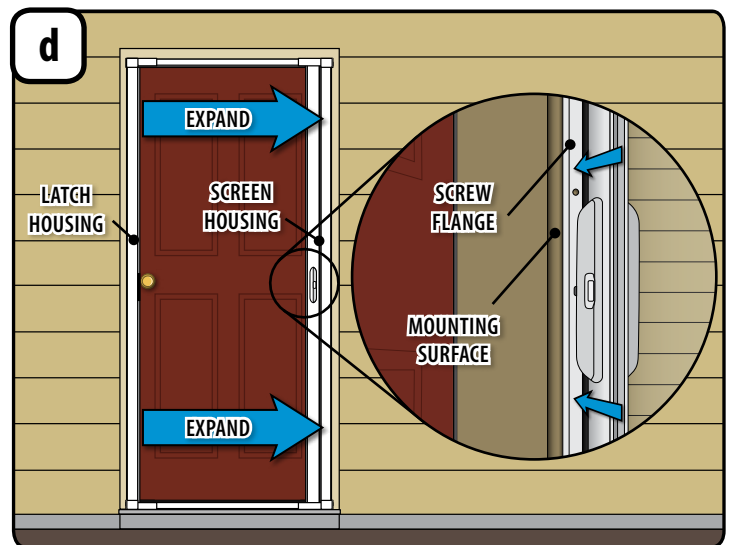
a With the interior of the screen assembly facing the door opening, rotate the assembly so the **Screen Housing** is on the opposite side of the **Door Opening Handle**.



- b1** The screen assembly may be narrower than your opening until fully expanded in the following steps.
- b2** Start by placing the **Screen Assembly** onto the exterior **Trim Surface**, with the **Screw Flanges** extending into the **Door Opening**. Rest the bottom of the screen assembly onto your sill or support blocking.
- b3** Slide the screen assembly in the door opening until the **Latch Housing** side **Screw Flange** is tight to the **Mounting Surface**.

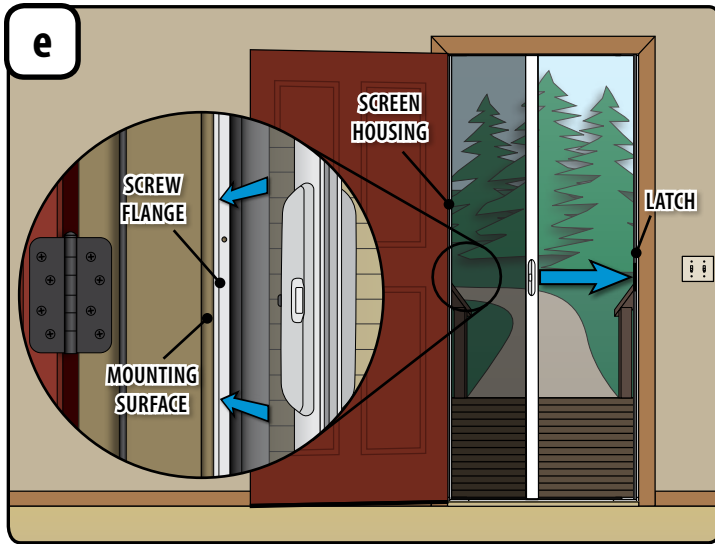


- c1** Verify the **Latch Housing** side **Screw Flange** is tight to **Mounting Surface**.
- c2** Align the three holes on the **Latch Housing** side **Screw Flange** with the three existing holes in the **Mounting Surface**.
- c3** With three of the #8 - 1" screws, fasten **Latch Housing** side of screen assembly to the **Mounting Surface**. (Be careful not to over tighten)

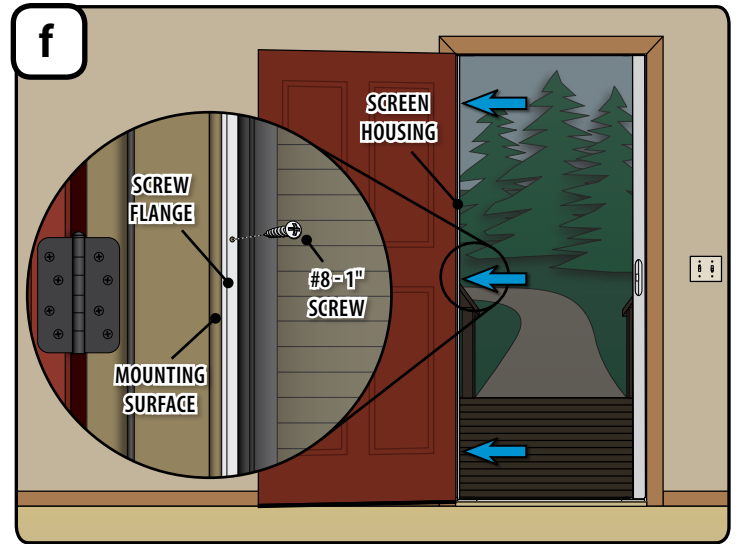


- d** Expand screen assembly by sliding **Screen Housing** side until the **Screw Flange** is tight to the **Mounting Surface**.

3 PLACE AND FASTEN ASSEMBLY - Continued



e From the interior of the screen assembly, hold the **Screen Housing** side **Screw Flange** against the **Mounting Surface**, extend the insect screen across the assembly and latch.



f1 With the **Screen Housing** side **Screw Flange** tight to **Mounting Surface**, align the three holes on the **Screen Housing** side **Screw Flange** with the three existing holes in the **Mounting Surface**.

f2 With the three remaining **#8 - 1"** screws, fasten **Screen Housing** to the **Mounting Surface**. *(Be careful not to over tighten)*

4 PLACE AND FASTEN SILL ADAPTER



Sill Adapter

Tools Recommended:



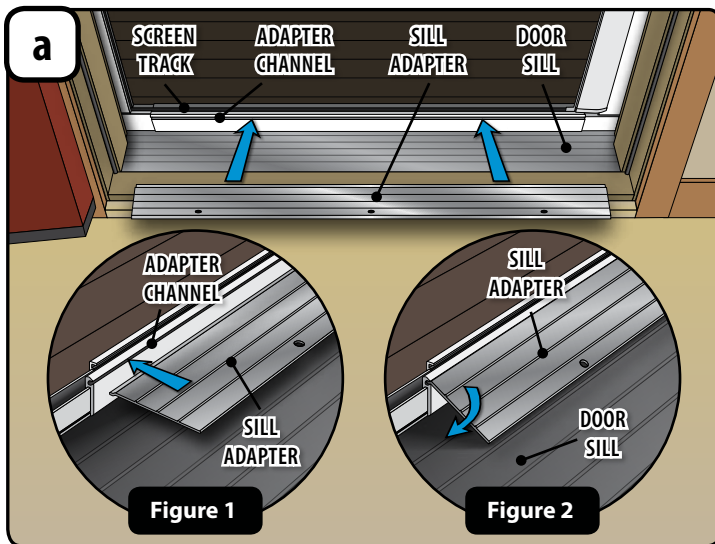

#2 Phillips Bit (provided)



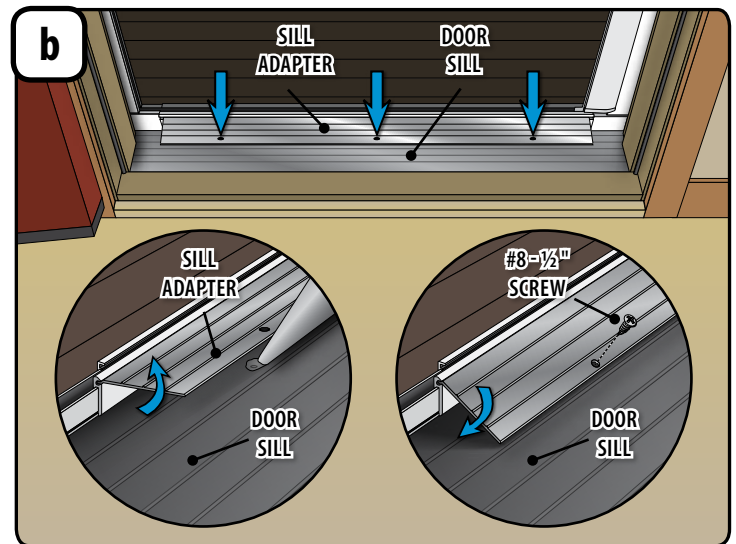
SCREW PACK

#8 - 1/2"
(Qty 3)





- a1** Thoroughly clean the **Door Sill**.
- a2** From the interior of screen assembly, position **Sill Adapter** with the textured side up and screw holes in toward the interior of the home.
- a3** Insert edge of the **Sill Adapter** into the **Adapter Channel** located on the **Screen Track** (see [Figure 1](#)).
- a4** Rotate the **Sill Adapter** down to the **Door Sill** to make sure the three holes in the **Sill Adapter** align with the three existing holes in your **Door Sill**. (see [Figure 2](#)).

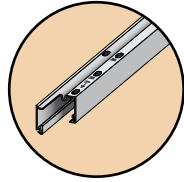


- b1** Lift **Sill Adapter** and apply sealant into the holes until sealant overflows onto **Door Sill** surface.
- b2** Rotate the **Sill Adapter** back down to the **Door Sill** and fasten using three **#8 - 1/2"** **Self-Tapping Screws**. Cleanup excess sealant.

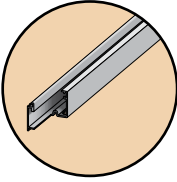
APPENDIX - STEPS FOR NARROW OPENING (if required)

A

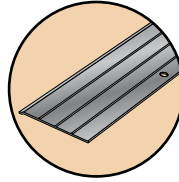
APPENDIX A Narrow Opening Modification for Openings less than 31 7/8" wide.



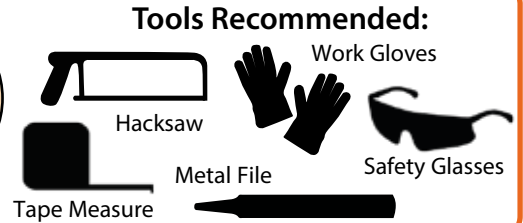
Screen Track (A/B)



Screen Track (C/D)



Sill Adapter



a

EXAMPLE
(FOR STEP **a3** BELOW)

If opening width $W1 = 29 \frac{3}{4}$,"
 $W2 = 29 \frac{3}{4}$," and $W3 = 29 \frac{1}{2}$,"
Take narrowest width = $29 \frac{1}{2}$ "
and subtract from 32 inches.
 $32 - 29 \frac{1}{2} = 2 \frac{1}{2}$ inches
The **Calculated Length** of
material to cut off is $2 \frac{1}{2}$
inches in this example.
For sill adapter (step **b3**), use
half the **Calculated Length**
by dividing it by 2.
 $2 \frac{1}{2} \div 2 = 1 \frac{1}{4}$ inches

b

Figure 1

Figure 2

- a1** To modify screen assembly to work in a Narrow Opening, the Screen Tracks and Sill Adapter need to be cut down.
- a2** Measure door opening width at top (W1), middle (W2), and bottom (W3) from the inside of the exterior trim.
- a3** Calculate Length of material to be cut off by taking the narrowest width from above and subtracting it from 32 inches (see Example above).

- b1** Measure and mark from Square End of the Screen Track (side B) the Calculated Length.
- b2** With a Hacksaw make a clean square cut through the Screen Track at the Cut Mark. With a metal file, file down all sharp edges. Repeat steps for the other Screen Track (side D) (see Figure 1).
- b3** Measure and mark from each end of the Sill Adapter the Halved Calculated Length so equal amounts are removed from both sides (see Figure 2).
- b4** With the Hacksaw make a clean square cut through the Sill Adapter on both ends at the Cut Marks. With a metal file, file down all sharp edges. Return to Removal on Page 2.

LUMINAIRE™
RETRACTABLE SCREEN DOOR

WINDOWS • DOORS
Andersen® 

1-844-813-6664