

Installation Guide

Replacement Latch Housing for Andersen® LuminAire™ Retractable Insect Screen Door

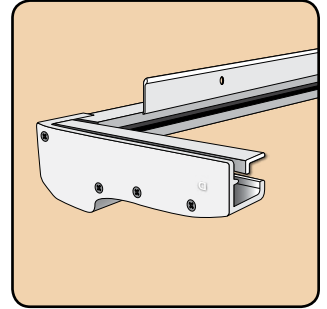
For installation help please visit www.AndersenLuminAire.com/install



Please Do Not Return Product to Store!

PLEASE call the Storm Door Solution Center at 844-813-6664, with any questions regarding installation, lost part replacement, or anything else related to your retractable insect screen purchase. Replacement parts can also be found at: parts.andersenstormdoors.com

Read this entire guide before you begin your installation. If your abilities do not match the requirements of this installation, contact an experienced contractor.



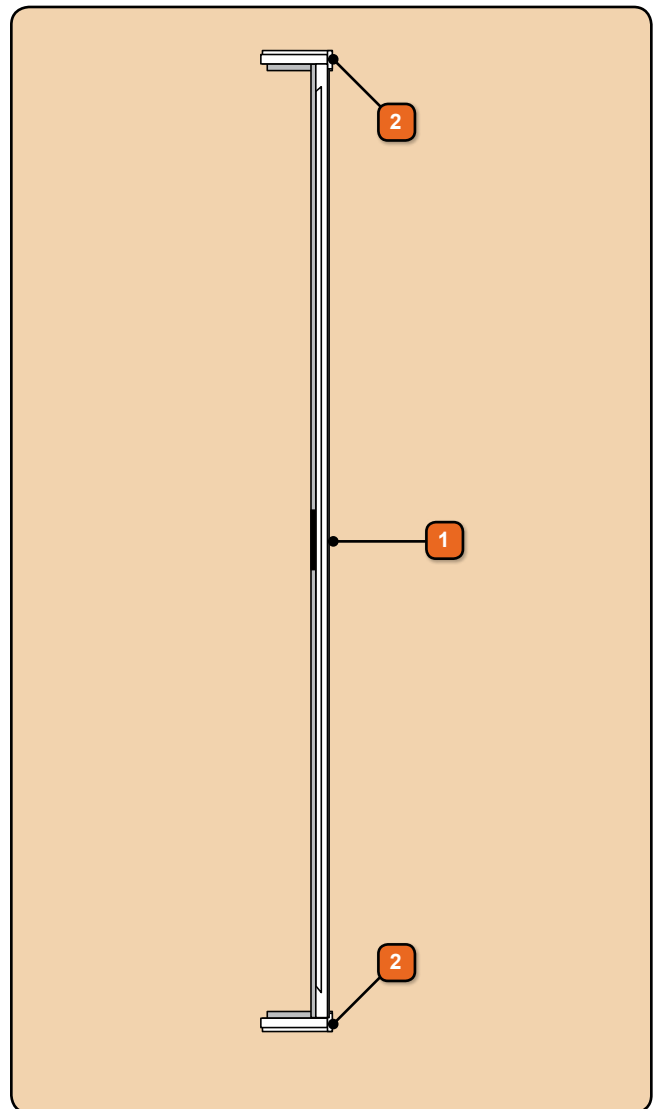
PARTS OVERVIEW

Your replacement part should contain the following parts.

- 1 Latch Housing
- 2 End Caps (*attached to ends of the housing*)
- 3 **Not Shown**
Screw Pack *containing:*
 - 1 inch #8 screws (qty 6)
 - ½ inch #8 self-tapping screws (qty 3)
 - ⅛ inch Drill Bit
 - #2 Phillips Bit

NOTICE

To avoid product damage, be sure to place all parts of your retractable insect screen on a soft non-abrasive surface such as carpet, drop cloth placed on your lawn or cardboard.



SAFETY FIRST: Please read and follow all Cautions and Warnings in this guide.

WARNING
Follow manufacturers' instructions for hand and power tools. Always wear safety glasses. Failure to do so could result in injury, product or property damage.

WARNING
Windows and doors can be heavy. Use safe lifting techniques and a reasonable number of people with enough strength to lift, carry, and install window and door products. Heavier windows and doors will require mechanical assistance. Failure to do so could result in injury, product or property damage.

CAUTION
Metal components of the retractable insect screen may become hot when exposed to sunlight.

WARNING
Metal fasteners and components could corrode when exposed to preservative-treated or fire-retardant treated lumber. Use approved fasteners and components to fasten window or door. Failure to do so could cause a failure resulting in injury, product or property damage.

IMPORTANT
The retractable insect screen is intended for reasonable insect control and not the retention of objects, persons, or pets within the interior. The retractable insect screen will not stop a person from falling through the door.

Fastener must attach to a structural framing member with a 1" minimum fastener embedment. Failure to do so could result in injury, product or property damage.
DO NOT remove screws that attached installation clips or gusset plates to window or door frames. Doing so could result in injury, product or property damage.

RECOMMENDED TOOLS

Drill

#2 Phillips Bit (provided)

Screwdrivers

Safety Glasses

Sealant

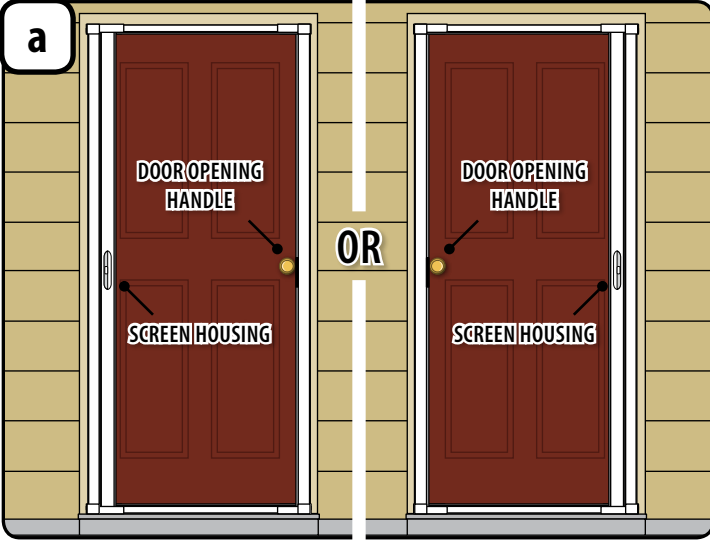
Work Gloves

WARNING This is the Safety Alert Symbol used to alert you to potential injury hazards. Obey all safety messages that follow this symbol to avoid possible injury or death.

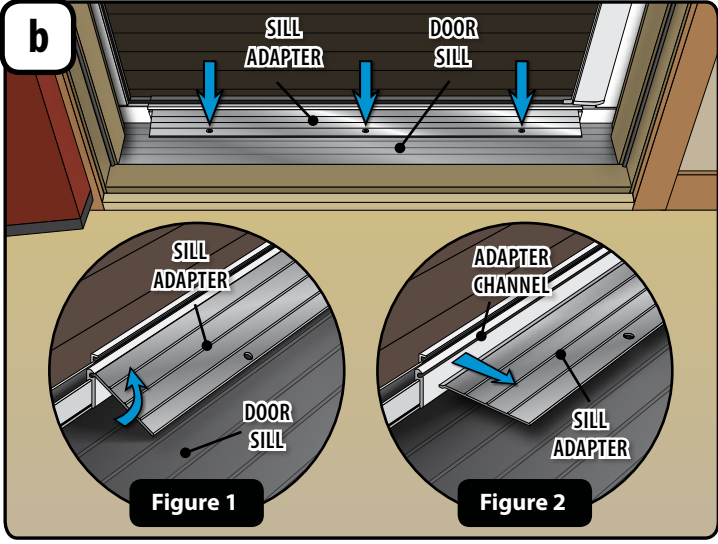
Signal Word and Consequence

COULD Result in:	WARNING Major Injury / Death	COULD Result in:	CAUTION Minor Injury
COULD Result in:	NOTICE Product or Property Damage	IMPORTANT Procedure and Product Information	

1 REMOVAL Tools Recommended: #2 Phillips Bit (provided)

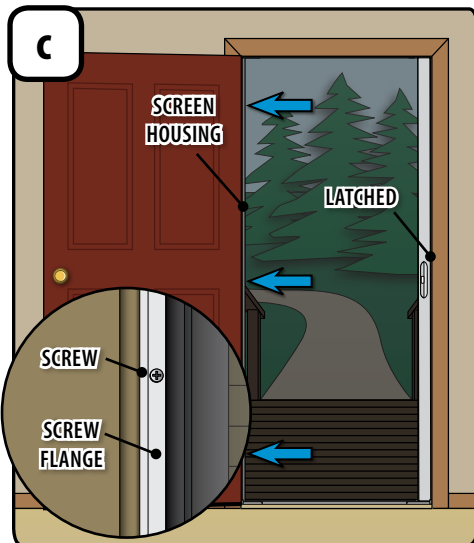


a From the exterior of the screen assembly, take note of the screen assemblies orientation. This is the orientation the screen assembly should be in when reinstalled.

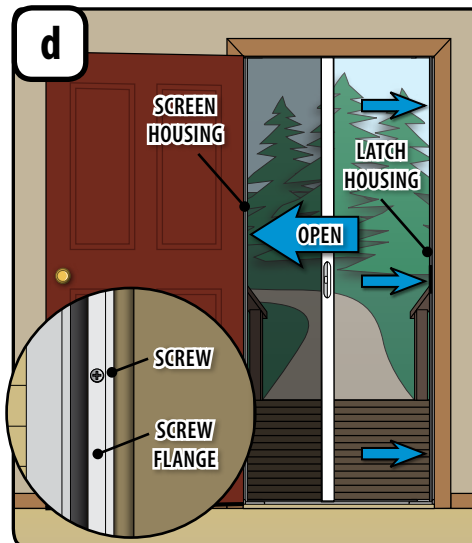


b1 From the interior of the screen assembly, remove the three screws from the Sill Adapter.
b2 Rotate Sill Adapter up and pull out of Adapter Channel (see Figures 1 & 2).
b3 Save the Sill Adapter for reinstallation in future step.

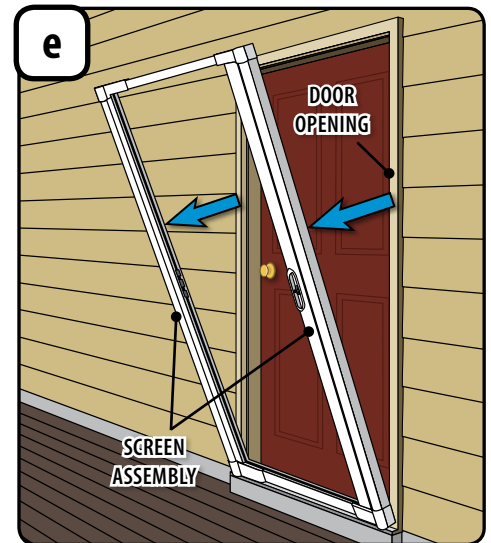
1 REMOVAL - Continued



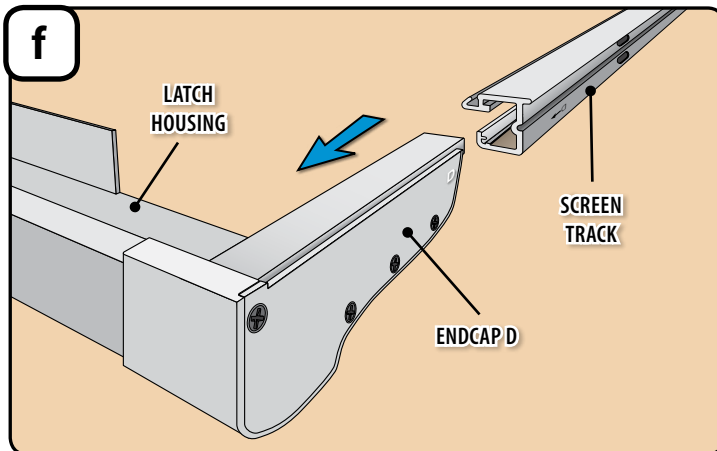
c From the interior of the screen assembly, with the screen extended and in the latched position, remove the three screws from the **Screw Flange** on the **Screen Housing** side.



d Unlatch and open the insect screen. Remove the three screws on the **Screw Flange** on the **Latch Housing** side, supporting the screen assembly as needed.



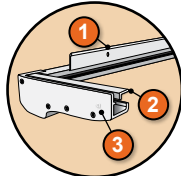
e Carefully tip and lift **Screen Assembly** out of **Door Opening** and place it flat, with the interior side facing up, on a non-abrasive surface.



g Carefully slide the **Latch Housing** off of both **Screen Tracks** (sides B and D) and dispose of **Latch Housing** properly.

2

REASSEMBLE SCREEN TRACKS & HOUSINGS

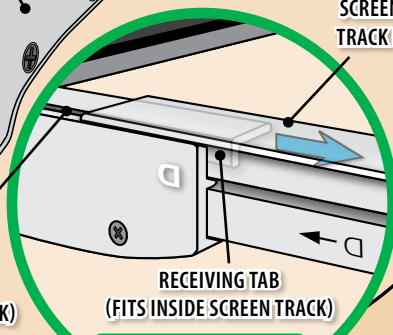
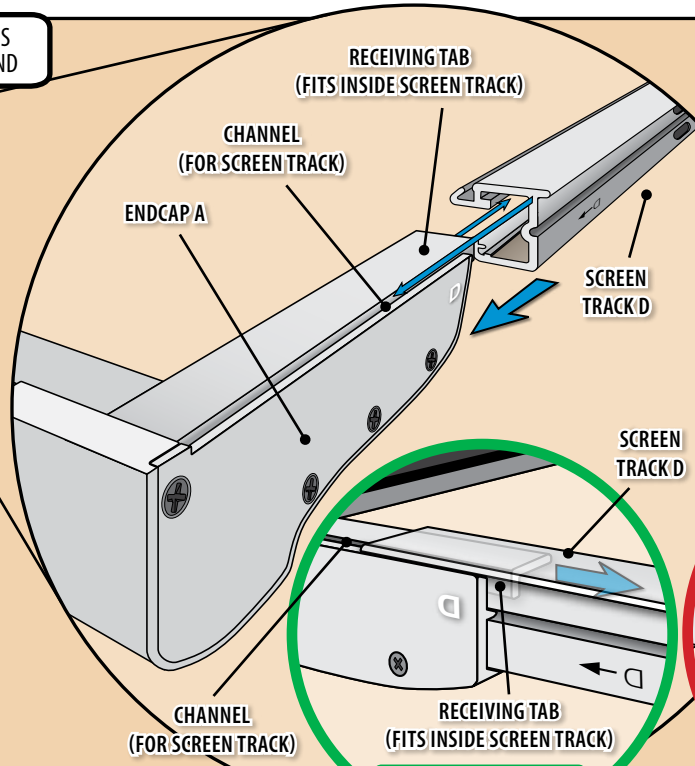
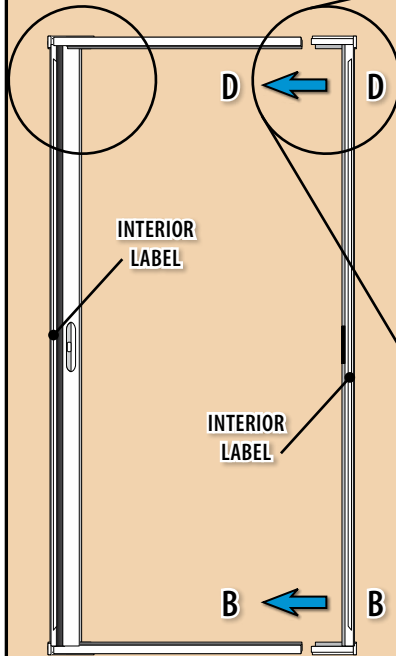


Latch Housing

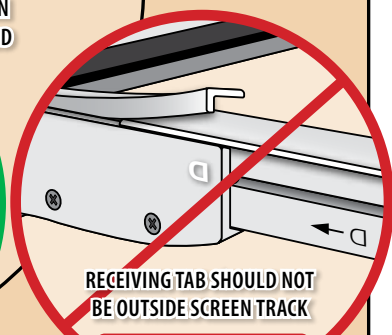
KEY REFERENCES

- 1 Screw Flanges
- 2 Receiving Tabs
- 3 Letter Labels

a ALL ITEMS DURING THE ASSEMBLY STEPS SHOULD BE LAYING FLAT ON THE GROUND



CORRECT



INCORRECT

NOTICE

Receiving Tabs on the Endcaps must slide inside the Screen Track. Product damage may occur if Receiving Tab is forced outside the screen track.

Visit AndersenLuminAire.com/install to view a video of this step.



- a1** Leaving the screen in the retracted position, arrange the components so the letters marked on the Screen Tracks and the letters marked on the Endcaps align (B to B, and D to D).
- a2** Starting at corner D, slide the Receiving Tab on Endcap D inside the Screen Track (marked D). Make sure the Receiving Tab fits inside the Screen Track, and the Screen Track slides into the Channel. (see "correct" above). Repeat the step for corner B. (Visit AndersenLuminAire.com/Install to view a video of this step.)

3

PLACE AND FASTEN ASSEMBLY INTO OPENING

Tools Recommended:

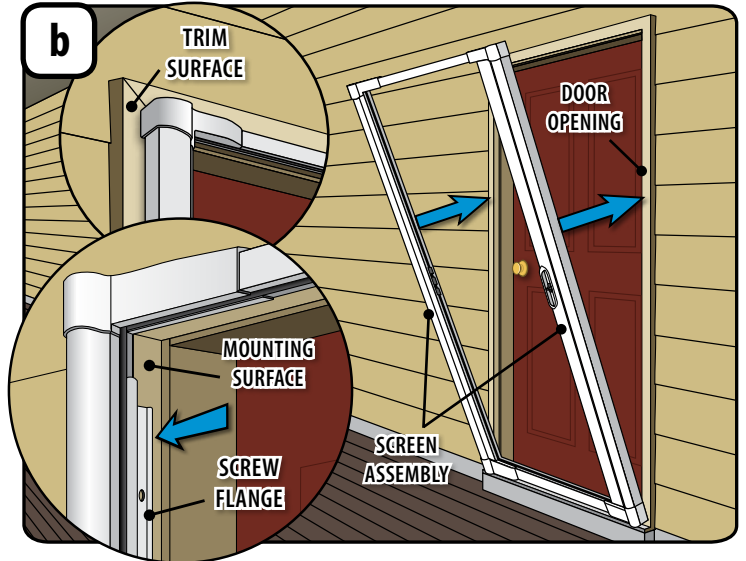
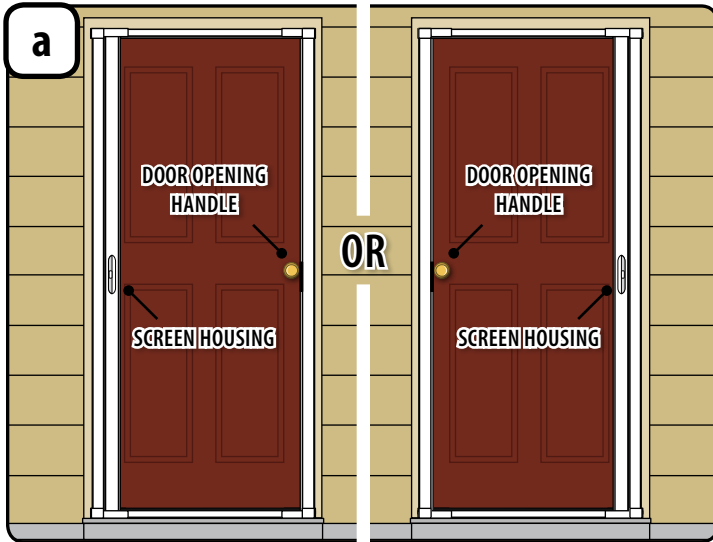
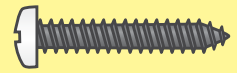


#2 Phillips Bit
(provided)



SCREW PACK

#8-1"
(Qty 6)

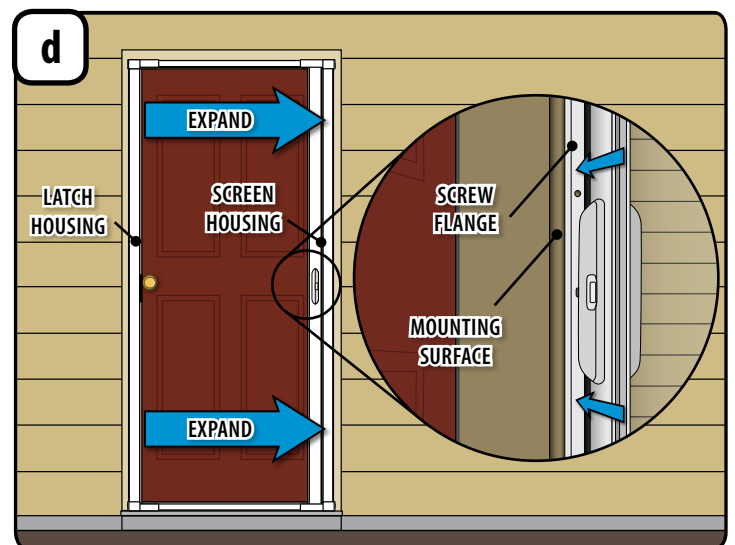
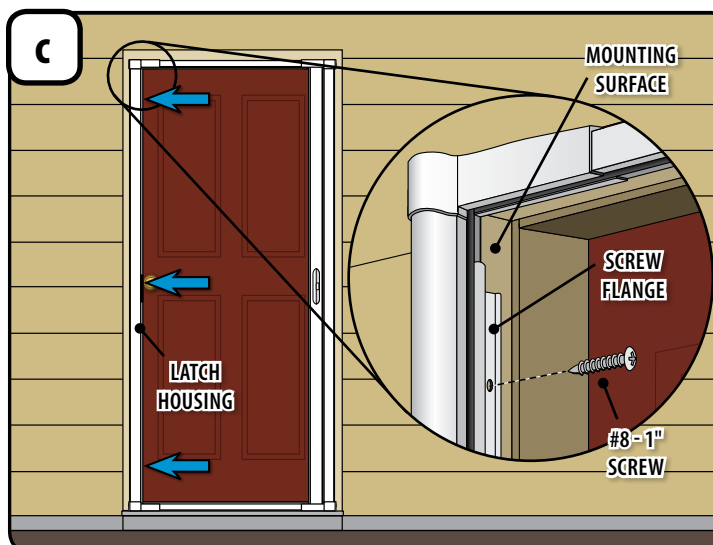


a With the interior of the screen assembly facing the door opening, rotate the assembly so the **Screen Housing** is on the opposite side of the **Door Opening Handle**.

b1 The screen assembly may be narrower than your opening until fully expanded in the following steps.

b2 Start by placing the **Screen Assembly** onto the exterior **Trim Surface**, with the **Screw Flanges** extending into the **Door Opening**. Rest the bottom of the screen assembly onto your sill or support blocking.

b3 Slide the screen assembly in the door opening until the **Latch Housing** side **Screw Flange** is tight to the **Mounting Surface**.

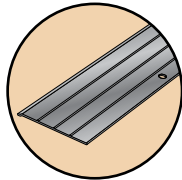


- c1** Verify the **Latch Housing** side **Screw Flange** is tight to **Mounting Surface**.
- c2** Align the three holes on the **Latch Housing** side **Screw Flange** with the three existing holes in the **Mounting Surface**.
- c3** With three of the #8 - 1" screws, fasten **Latch Housing** side of screen assembly to the **Mounting Surface**. (Be careful not to over tighten)

d Expand screen assembly by sliding **Screen Housing** side until the **Screw Flange** is tight to the **Mounting Surface**.

4

PLACE AND FASTEN SILL ADAPTER



Sill Adapter

Tools Recommended:

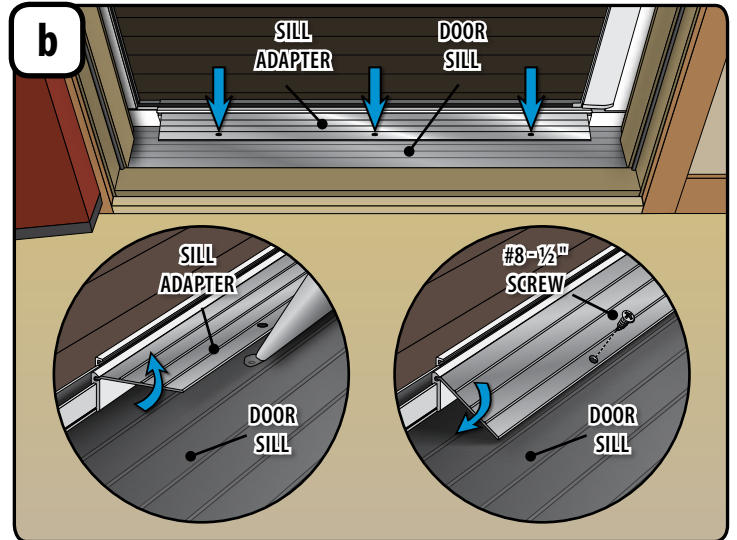
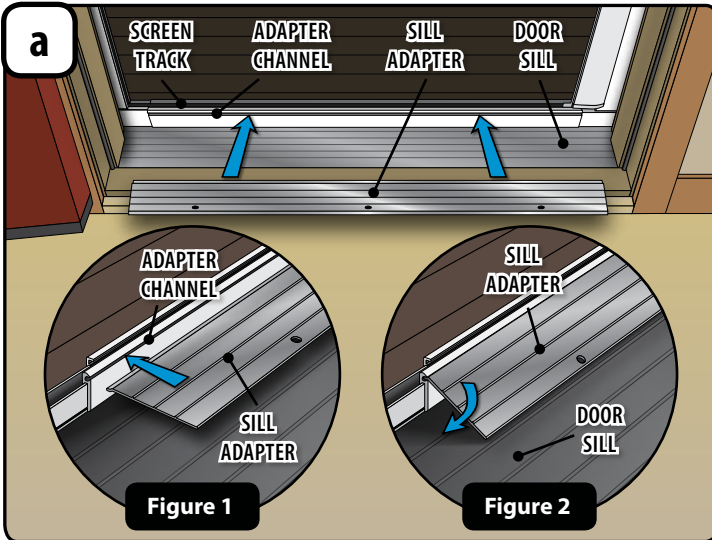


#2 Phillips Bit
(provided)



SCREW PACK

#8 - 1/2"
(Qty 3)



- a1** Thoroughly clean the **Door Sill**.
- a2** From the interior of screen assembly, position **Sill Adapter** with the textured side up and screw holes in toward the interior of the home.
- a3** Insert edge of the **Sill Adapter** into the **Adapter Channel** located on the **Screen Track** (see [Figure 1](#)).
- a4** Rotate the **Sill Adapter** down to the **Door Sill** to make sure the three holes in the **Sill Adapter** align with the three existing holes in your **Door Sill**. (see [Figure 2](#)).

- b1** Lift **Sill Adapter** and apply sealant into the holes until sealant over flows onto **Door Sill** surface.
- b3** Rotate the **Sill Adapter** back down to the **Door Sill** and fasten using three #8 - 1/2" **Self-Tapping Screws**. Cleanup excess sealant.

LUMINAIRE™
RETRACTABLE SCREEN DOOR

WINDOWS • DOORS
Andersen® 

1-844-813-6664