

# Installation Guide

## Replacement Active Screen Housing for Andersen® LuminAire® Retractable Insect Screen Double Door

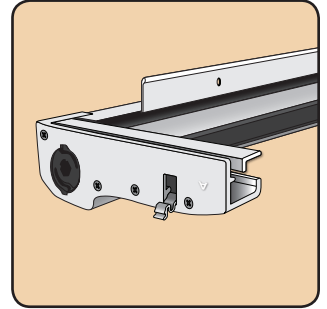
For installation help please visit [www.AndersenLuminAire.com/install](http://www.AndersenLuminAire.com/install)



### Please Do Not Return Product to Store!

**PLEASE** call the Storm Door Solution Center at 844-813-6664, with any questions regarding installation, lost part replacement, or anything else related to your retractable insect screen purchase. Replacement parts can also be found at: [parts.andersenstormdoors.com](http://parts.andersenstormdoors.com)

**Read this entire guide before you begin your installation. If your abilities do not match the requirements of this installation, contact an experienced contractor.**



## DOUBLE DOOR PARTS OVERVIEW

Your replacement part should contain the following parts.

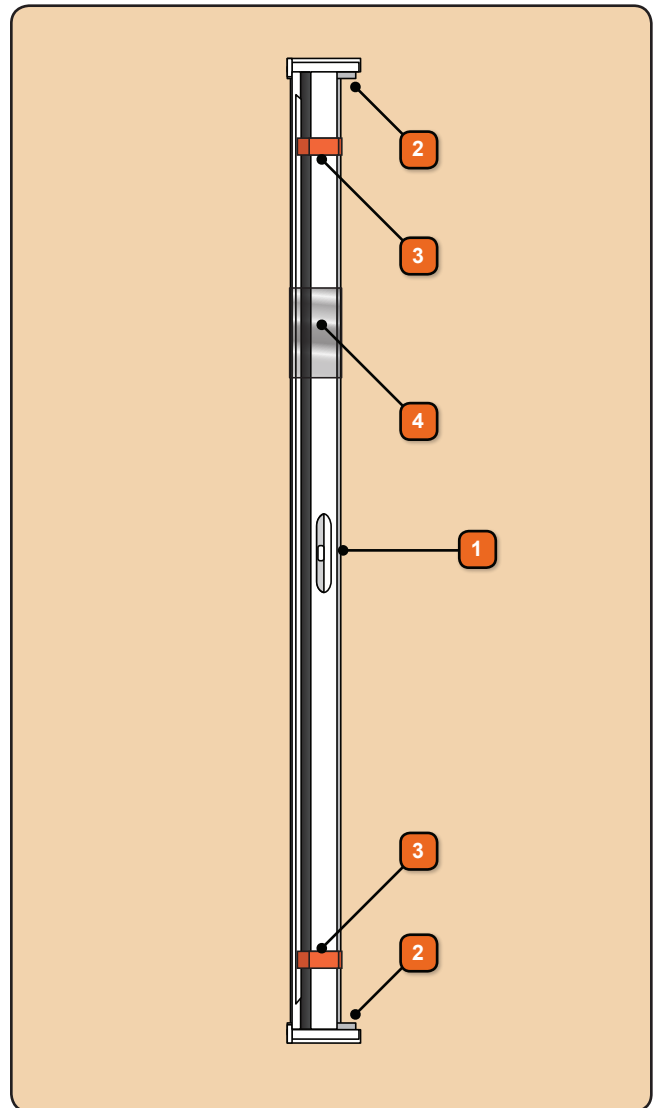
- 1 Active Screen Housing
- 2 End Caps (*attached to each end of housing*)
- 3 Orange Installation Clips
- 4 Shipping Plastic Wrap

**Not Shown:** *Screw Pack containing:*

- 1 inch #8 screws (qty 6)
- ½ inch #8 self-tapping screws (qty 6)
- #2 Phillips Bit
- ⅛ inch Drill Bit
- ⅜ inch Hex Wrench
- Corner Pile (qty 2)

### NOTICE

To avoid product damage, be sure to place all parts of your retractable insect screen on a soft non-abrasive surface such as carpet, drop cloth placed on your lawn or cardboard.



**SAFETY FIRST: Please read and follow all Cautions and Warnings in this guide.**

**WARNING**  
 Follow manufacturers' instructions for hand and power tools. Always wear safety glasses. Failure to do so could result in injury, product or property damage.

**WARNING**  
 Windows and doors can be heavy. Use safe lifting techniques and a reasonable number of people with enough strength to lift, carry, and install window and door products. Heavier windows and doors will require mechanical assistance. Failure to do so could result in injury, product or property damage.

**CAUTION**  
 Metal components of the retractable insect screen may become hot when exposed to sunlight.

**WARNING**  
 Metal fasteners and components could corrode when exposed to preservative-treated or fire-retardant treated lumber. Use approved fasteners and components to fasten window or door. Failure to do so could cause a failure resulting in injury, product or property damage.

**IMPORTANT**  
 The retractable insect screen is intended for reasonable insect control and not the retention of objects, persons, or pets within the interior. The retractable insect screen will not stop a person from falling through the door.

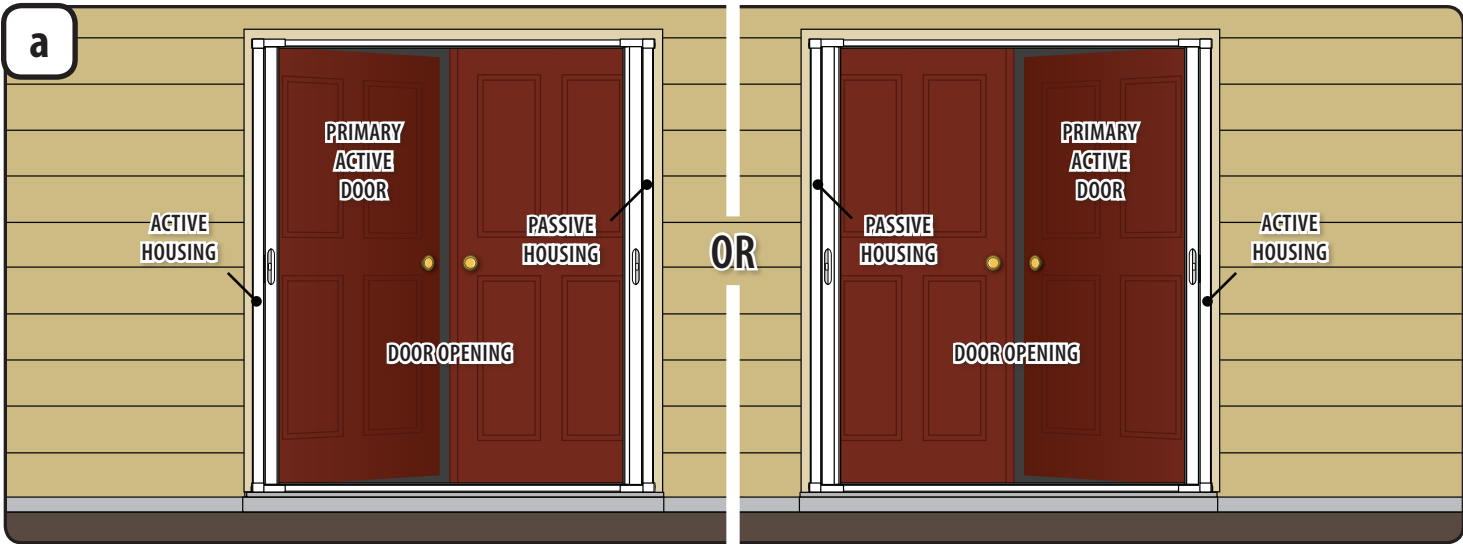
Fastener must attach to a structural framing member with a 1" minimum fastener embedment. Failure to do so could result in injury, product or property damage.  
**DO NOT** remove screws that attached installation clips or gusset plates to window or door frames. Doing so could result in injury, product or property damage.

**RECOMMENDED TOOLS**

**Signal Word and Consequence**

<b>COULD</b> Result in:	<b>WARNING</b> Major Injury / Death	<b>COULD</b> Result in:	<b>CAUTION</b> Minor Injury
<b>COULD</b> Result in:	<b>NOTICE</b> Product or Property Damage		<b>IMPORTANT</b> Procedure and Product Information

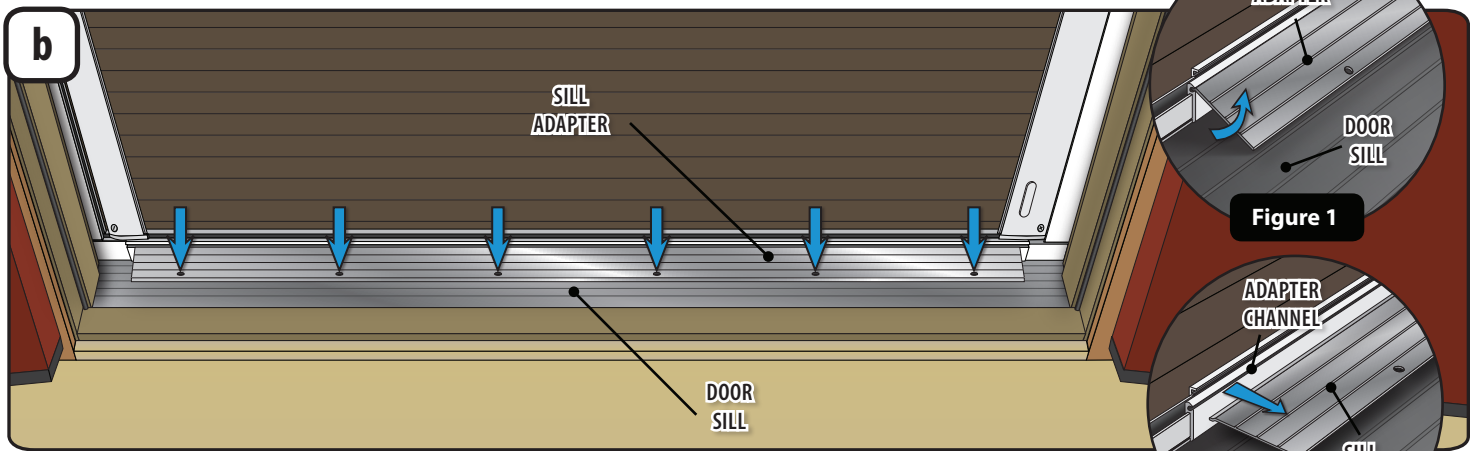
**1 REMOVAL** Tools Recommended: #2 Phillips Bit (provided)



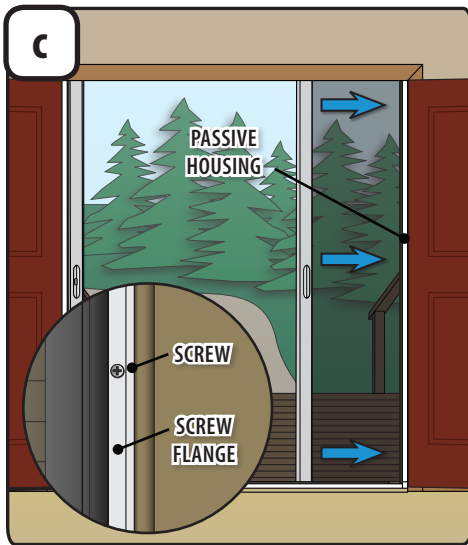
**NOTICE**  
 To avoid product damage. It is recommended to use two (2) people to uninstall and reinstall double door unit into the door opening.

**a** From the exterior of the screen assembly, take note of the screen assemblies orientation. This is the orientation the screen assembly should be in when reinstalled.

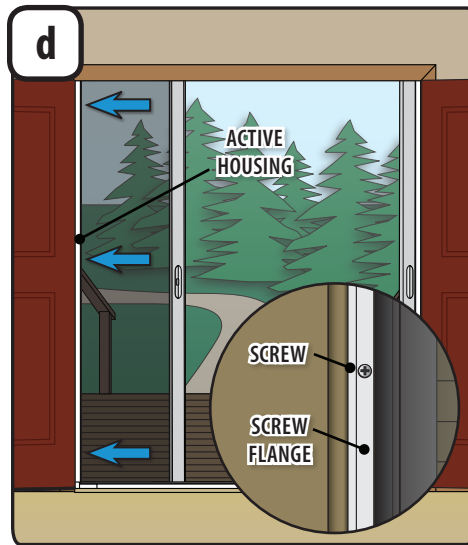
# 1 REMOVAL - Continued



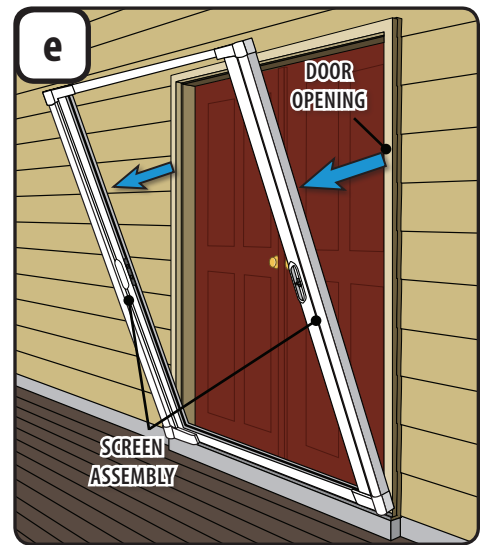
- b1** From the interior of the screen assembly, remove the six screws from the Sill Adapter. Dispose of screws properly.
- b2** Rotate Sill Adapter up and pull out of Adapter Channel (see Figure 1 & 2).
- b3** Save the Sill Adapter for reinstallation in future step.



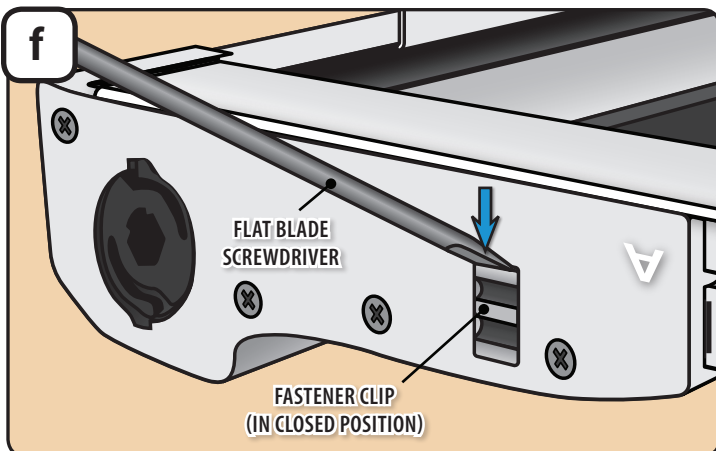
- c** From the interior extend the screen from the Passive Housing so it is clear of your drill/driver. Remove the three screws from the Screw Flange. Dispose of screws properly.



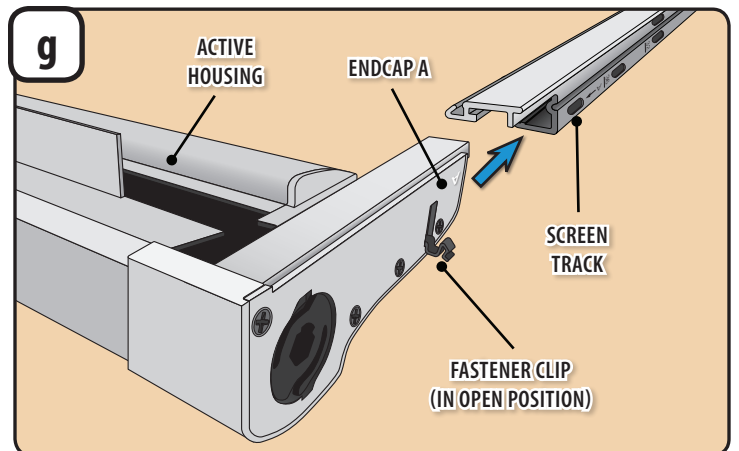
- d** Extend the screen from the Active Housing so it is clear of your drill/driver. Remove the three screws from the Screw Flange, supporting the screen assembly as needed. Dispose of screws properly.



- e** Carefully tip and lift Screen Assembly out of Door Opening and place it flat with the interior side facing up on a non-abrasive surface.



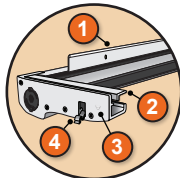
- f1** On endcap A, with a Flat Blade Screwdriver, apply downward pressure on the Fastener Clip and rotate into the open position.
- f2** Repeat this step for endcap C.



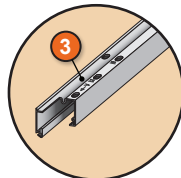
- g** With both Fastener Clips in the open position, carefully slide the Active Housing off of both Screen Tracks (sides A and C). Dispose of Active Housing properly.

# 2

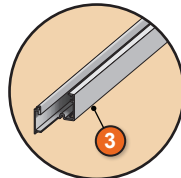
## ASSEMBLE SCREEN TRACKS & ACTIVE HOUSING



Active Housing



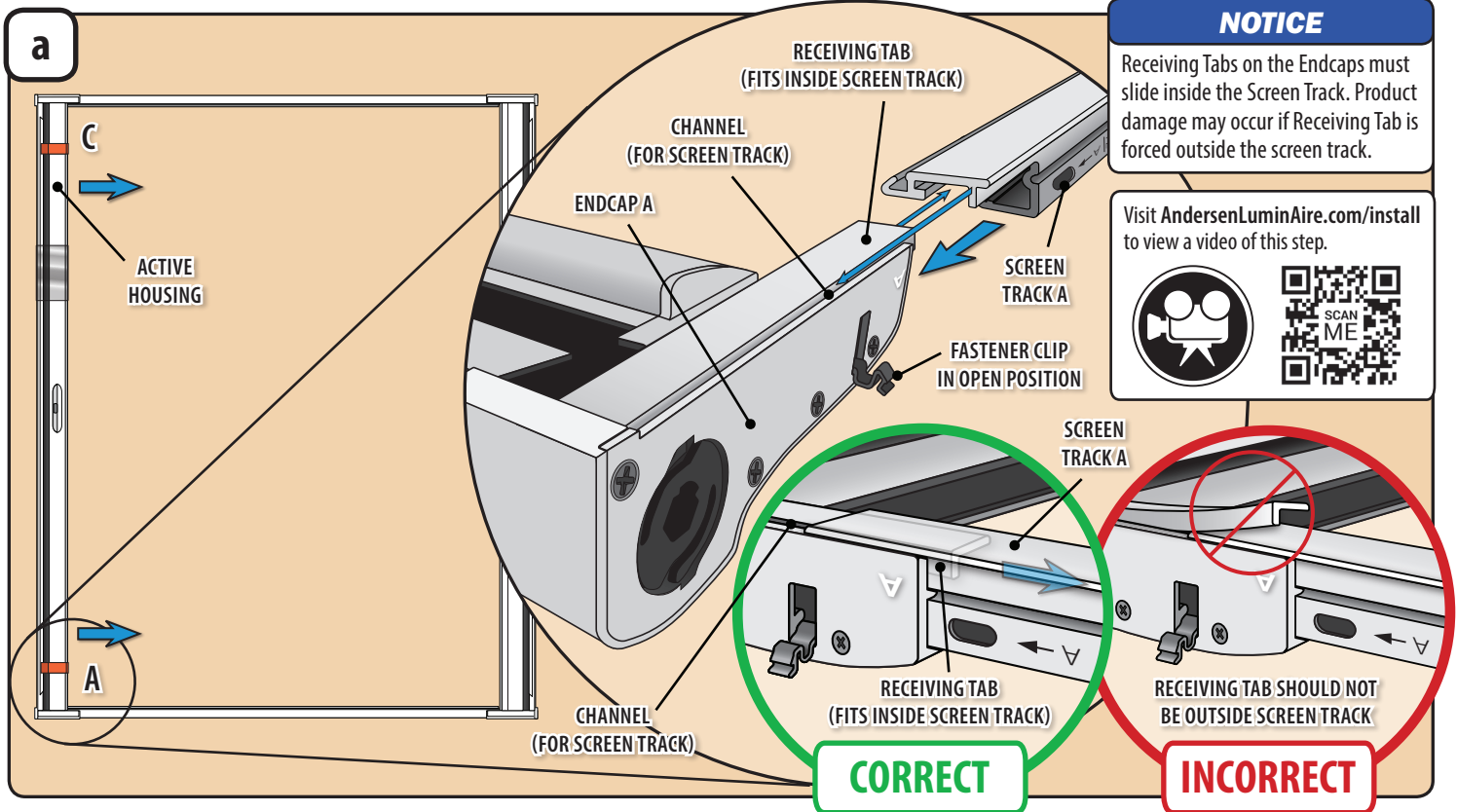
Screen Track



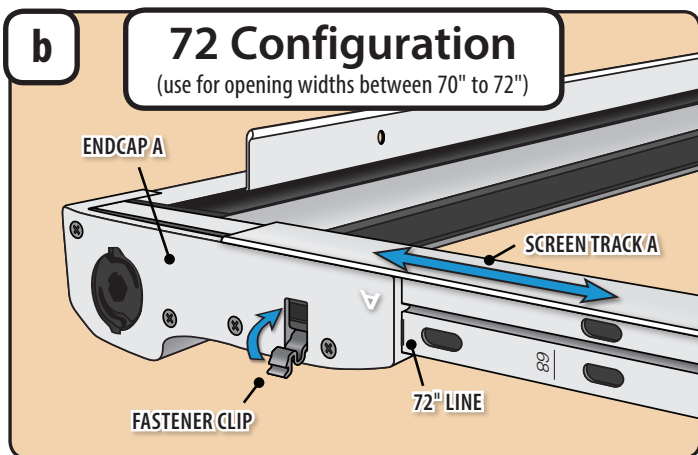
Screen Track

### KEY REFERENCES

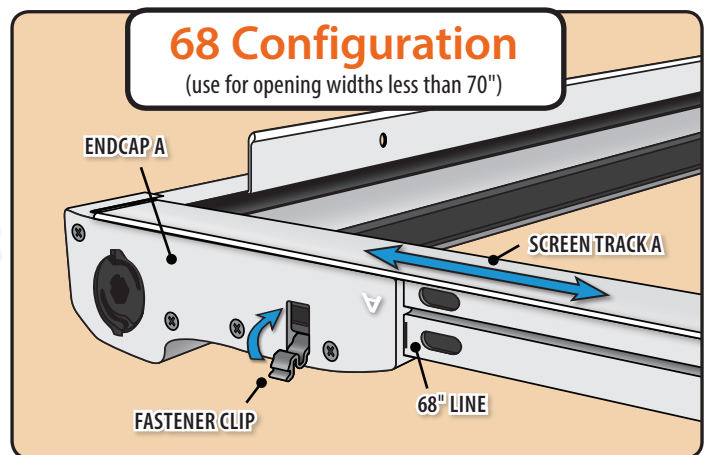
- 1 Screw Flanges
- 2 Receiving Tabs
- 3 Letter Labels
- 4 Fastener Clips



- a1** Confirm the Fastener Clips on Active Housing Endcaps, A and C are in the open position. Starting at corner A on the Active Housing, slide the Receiving Tab on Endcap A inside the Screen Track. Ensure the Receiving Tab fits inside the Screen Track, and the Screen Track slides into the Channel. (see "correct" above).  
(Visit AndersenLuminAire.com/Install to view a video of this step.)
- a2** Repeat for Endcap C on the Active Housing and Endcaps, A and C on the Passive Housing. Be sure the screen tracks are all the way into the passive housing.  
(Note: The passive housing endcaps do not have Fastener Clips, this allows the screen tracks to slide for adjustment to fit the door opening.)
- a3** Use the "72 Configuration" for openings 70" - 72" wide or "68 Configuration" for openings less than 70" wide in step b.



- b1** If the opening is between 70" and 72", adjust Screen Track A until 72" line aligns with edge of Active Housing Endcap A.
- b2** Rotate the Fastener Clip up until it snaps into the closed position.
- b3** Repeat steps for side C.



- b1** If the opening is less than 70", adjust Screen Track A until 68" line aligns with edge of Active Housing Endcap A.
- b2** Rotate the Fastener Clip up until it snaps into the closed position.
- b3** Repeat steps for side C.

3

**PLACE, FASTEN ASSEMBLY INTO OPENING**

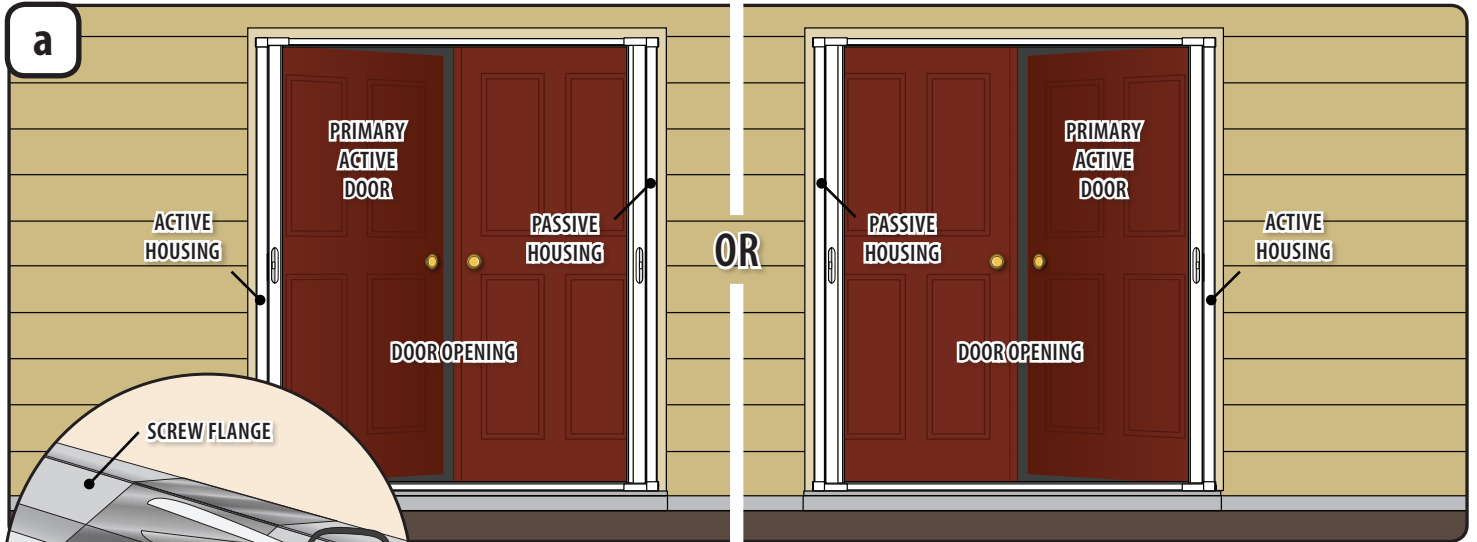
**Tools Recommended:**



Screwdriver



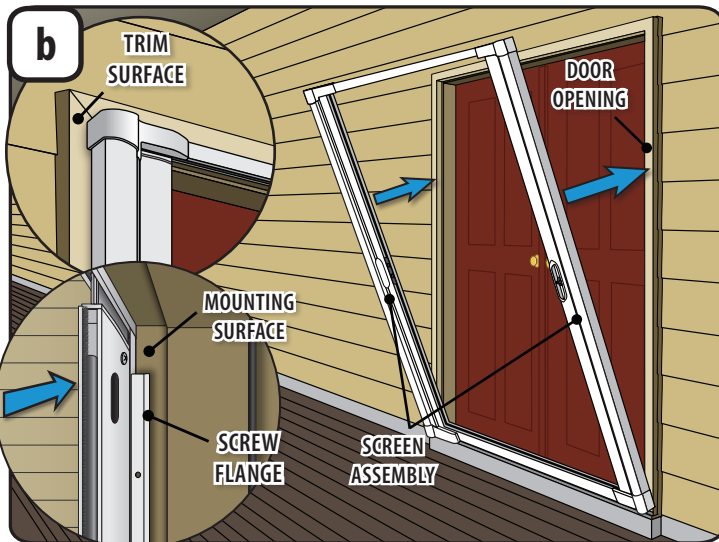
Scissors



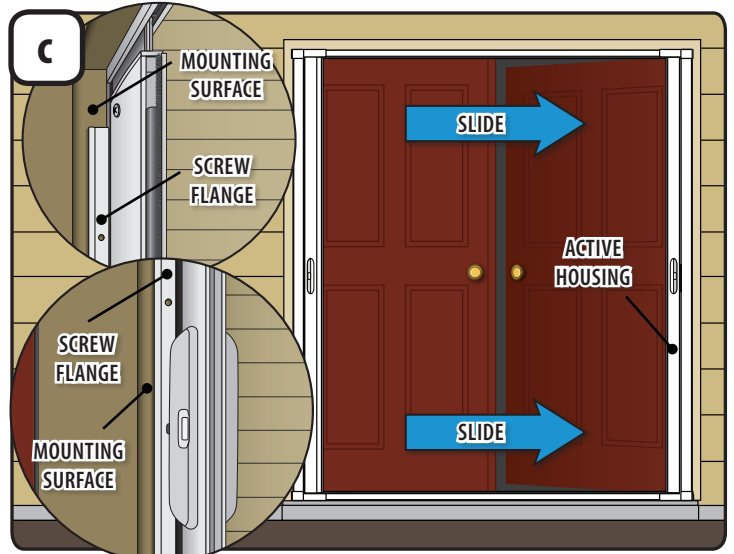
- a1** With a Scissors, cut the Plastic Wrap along inside edge of the Screw Flange from new housing.
- a2** With the interior of the screen assembly facing the door opening, rotate the assembly so the Active Housing is on the same side of the Door Opening as your Primary Active Door.

**NOTICE**

To avoid product damage, it is recommended to use two (2) people to install double door unit into the door opening.



- b1** The Screen Assembly will be narrower than your opening until fully expanded in the following steps.
- b2** Start by placing the Screen Assembly onto the exterior Trim Surface, with the Screw Flanges extending into the Door Opening. Rest the bottom of the screen assembly onto your sill or support blocking.



- c1** Slide the Screen Assembly in the door opening until the Active Housing side Screw Flange is on the Mounting Surface.
- c2** Verify the Screen Assembly is plum, level and square in the door opening and the Screen Housing side Screw Flange is tight to Mounting Surface.



# 3

## PLACE, FASTEN ASSEMBLY INTO OPENING Continued

### Tools Recommended:

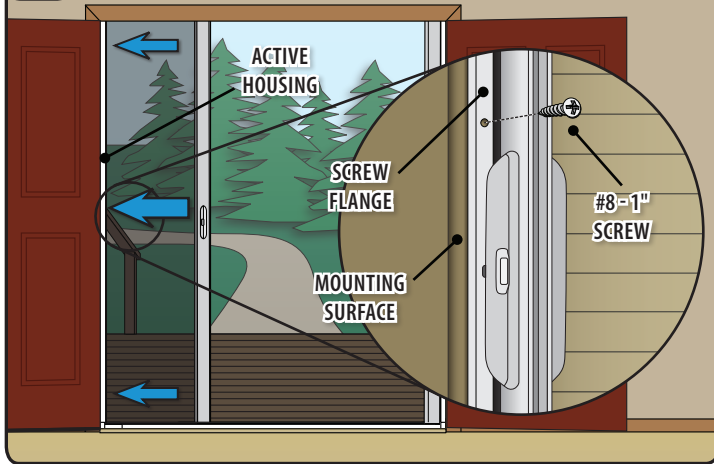


### SCREW PACK

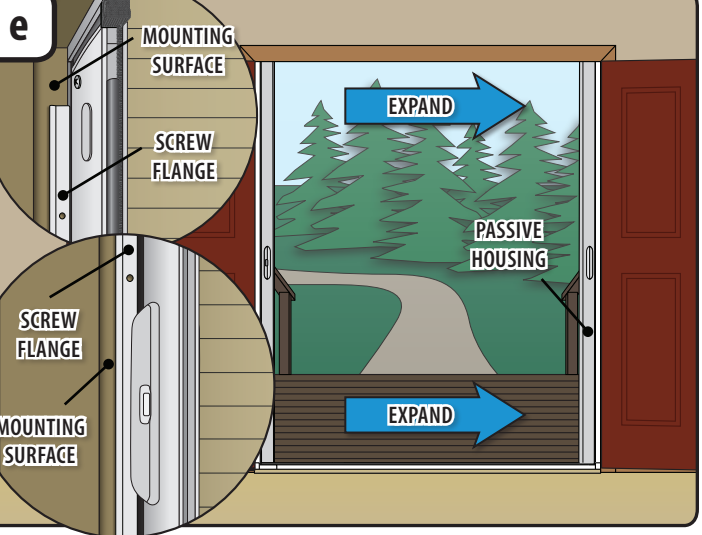
#8-1"  
(Qty 6)



#### d Switch to Interior View

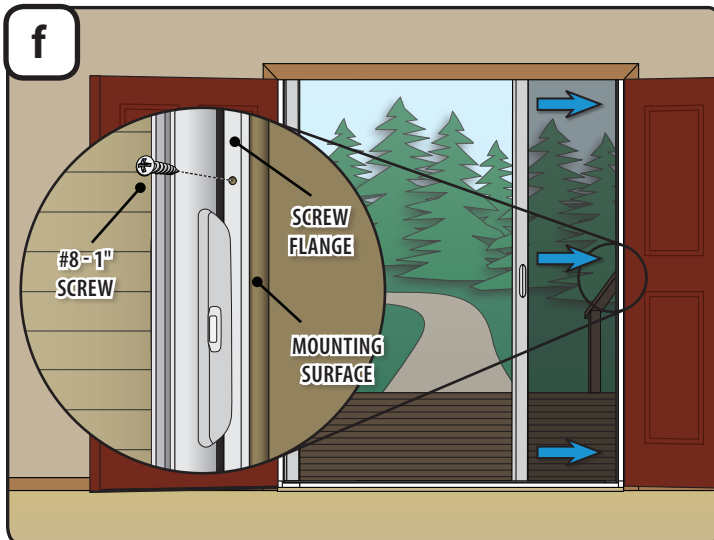


- d1** From the interior, while holding the **Active Housing** side **Screw Flange** tight to the **Mounting Surface**, align the three holes on **Screw Flange** with the three existing holes in the **Mounting Surface**.
- d2** With one #8 - 1" screw, fasten **Active Housing** to the **Mounting Surface**. *(Be careful not to overtighten)*
- d3** Repeat steps for top and bottom holes. *(Being careful not to overtighten)*



- e1** Expand the screen assembly in the door opening until the **Passive Housing** side **Screw Flange** is on the **Mounting Surface**.
- e2** Verify the screen assembly is plum, level and square in the door opening and the **Passive Housing** side **Screw Flange** is tight to **Mounting Surface**.

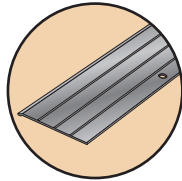
#### f



- f1** From the interior, while holding the **Active Housing** side **Screw Flange** tight to the **Mounting Surface**, align the three holes on **Screw Flange** with the three existing holes in the **Mounting Surface**. Extend the screen so it is clear of your drill/driver. Remove orange installation clips and disposed of properly.
- f2** With the three remaining #8 - 1" screws, fasten **Passive Housing** to the **Mounting Surface**. *(Be careful not to overtighten)*

4

## PLACE AND FASTEN SILL ADAPTER



Sill Adapter

### Tools Recommended:

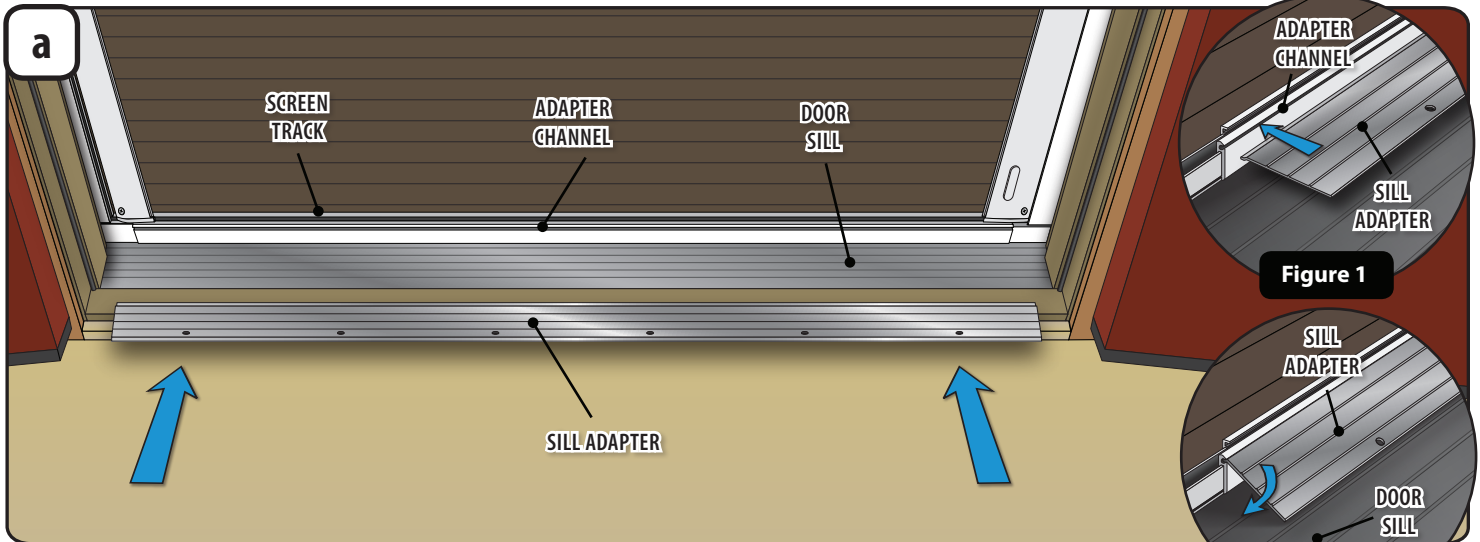
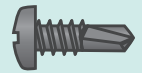


Drill/Driver

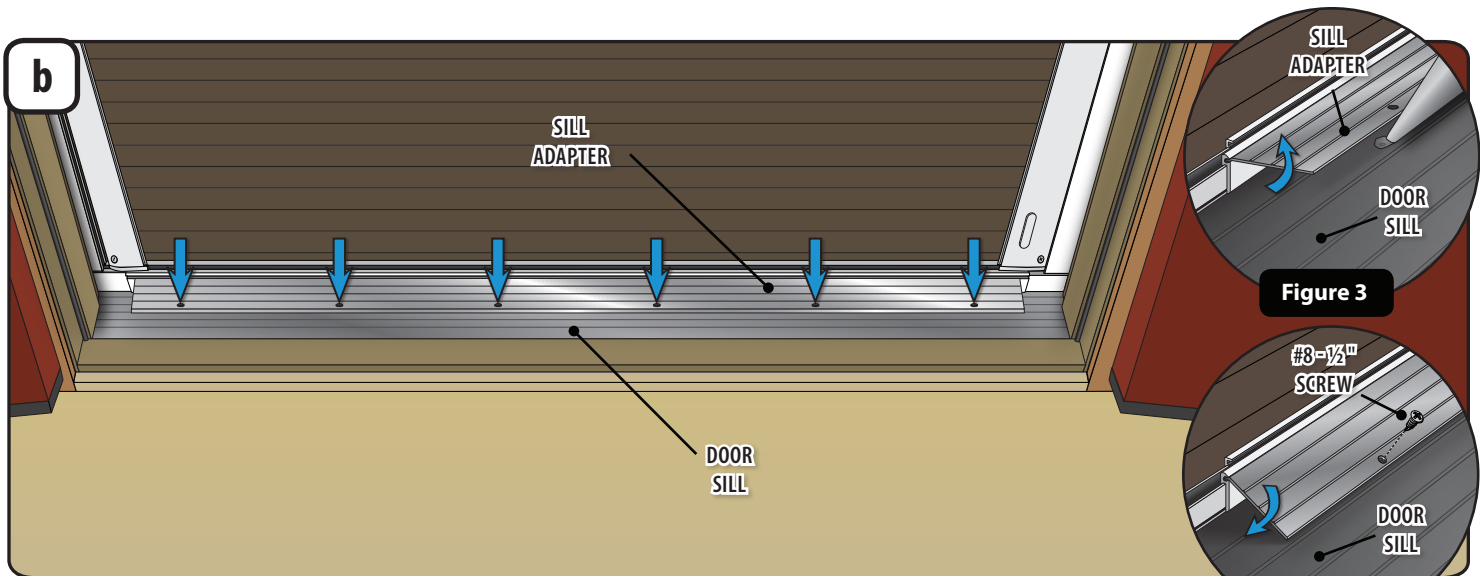
Sealant

#2 Phillips Bit  
(provided)

### SCREW PACK

#8 - 1/2"  
(Qty 6)

- a1** Thoroughly clean the Door Sill with soft cloth.
- a2** From the interior of screen assembly, position Sill Adapter with the textured side up and screw holes in toward the interior of the home.
- a3** Insert edge of the Sill Adapter into the Adapter Channel located on the Screen Track (see Figure 1).
- a4** Rotate the Sill Adapter down to the Door Sill, to make sure the six holes in the Sill Adapter align with the six existing holes in your Door Sill. (see Figure 2).



- b1** Lift Sill Adapter and apply sealant into the holes until sealant overflows onto Door Sill surface. (see Figure 3)
- b2** Rotate the Sill Adapter back down to the Door Sill and fasten using six #8 - 1/2" Self-Tapping Screws. Cleanup excess sealant. (see Figure 4)

**LUMINAIRE**<sup>®</sup>  
RETRACTABLE SCREEN DOOR

WINDOWS • DOORS  
**Andersen**<sup>®</sup> 

---

1-844-813-6664