

# Replacement Guide

## for Retractable Insect Screen and Insect Screen Track Retainers on Andersen® 1-1/2" Self-Storage Storm Doors



### Please Do Not Return Product to Store!

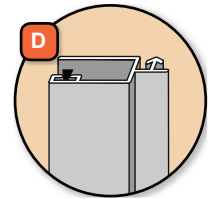
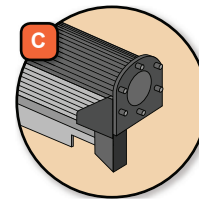
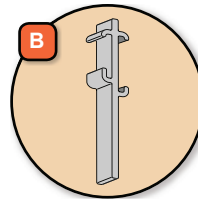
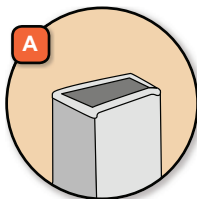
**PLEASE** call the storm door Solution Center at 1-800-933-3626, with any questions regarding installation, lost part replacement, or anything else related to your storm door purchase.

**Read this entire guide before you begin your installation. If your abilities do not match the requirements of this installation, contact an experienced contractor.**

### PARTS OVERVIEW

Your installation kit should contain the following parts. However, in some door models, not all of the parts will be used.

- A** Prop Rod
- B** Temporary Insect Screen Clip (2)
- C** Retractable Screen
- D** Screen Tracks (2)



### RECOMMENDED TOOLS

Safety Glasses



Drill



7/64" Drill Bit



Screwdriver



Tape



### WARNING

Improper use of hand or power tools could result in injury and/or product damage. Follow equipment manufacturer's instructions for safe operation. Always wear safety glasses.

INTERIOR VIEW

VISTA INTERIOR

VUE DE



= VIEW

EXTERIOR VIEW

VISTA EXTERIOR

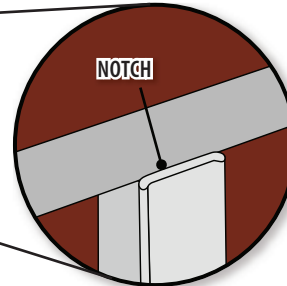
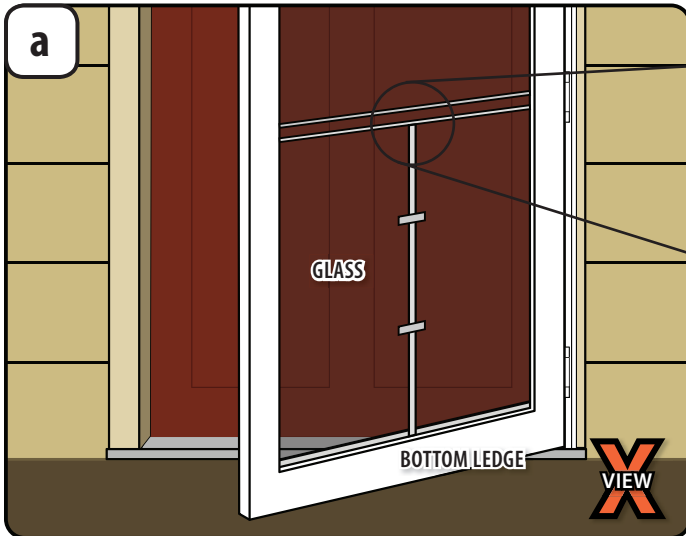
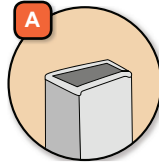


= VIEW

# 1

## SUPPORT VENTILATING GLASS PANEL

Tools needed:



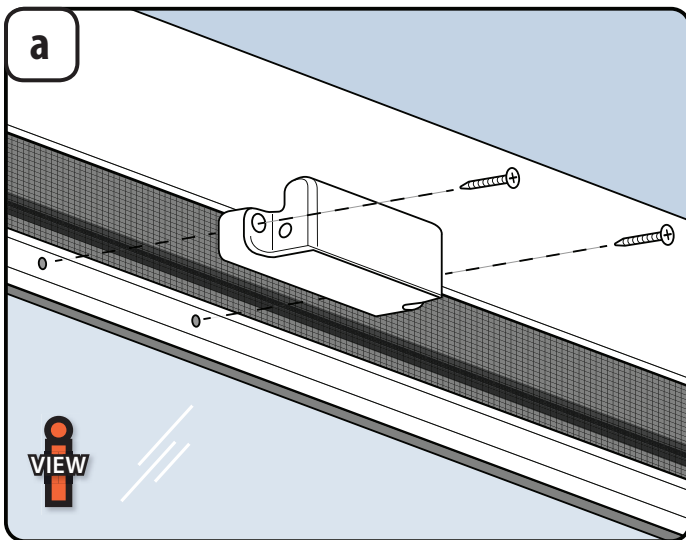
1. From the exterior, hold the prop rod (A) up against the fixed glass panel. Slide the prop rod down so it's sitting on the bottom ledge of the storm door. The notch should be going from left to right.
2. Move the ventilating glass panel down until its frame is in the notch of the prop rod.
3. Tape the prop rod to the glass with masking tape across the top and bottom.

**Note:** If window is stuck at top of door frame, use this step during **step 6b**.

# 2

## REMOVE WINDOW LATCH ASSEMBLY

Tools needed:



1. Using a Phillips head screwdriver, remove the two (2) screws from the window latch assembly.
2. Set the window latch assembly and screws aside, to be re-installed later.

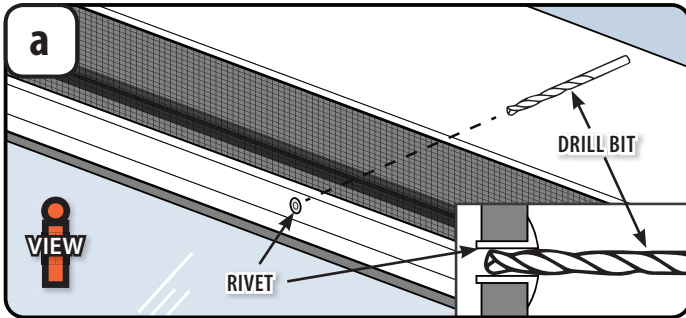
# 3

## SEPARATE INSECT SCREEN FROM VENTILATING WINDOW

Tools needed:



7/64" Drill Bit



### IMPORTANT

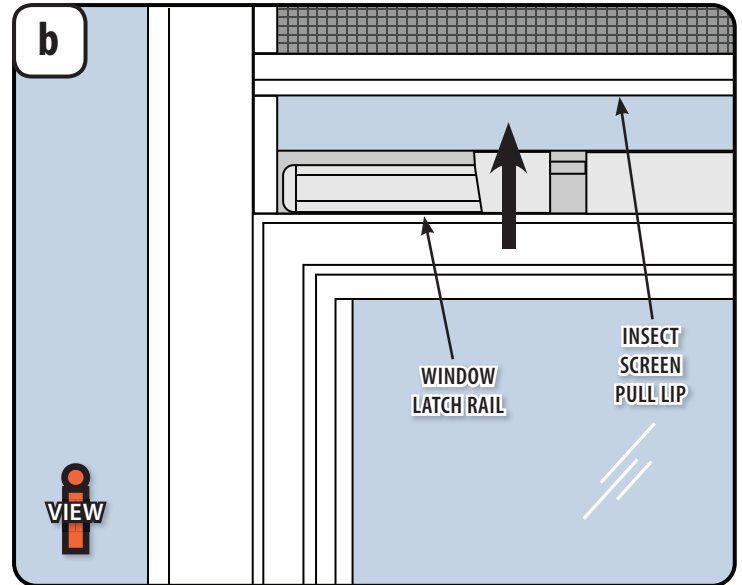
Depending on the age of your storm door, there may not be a rivet located between the two window latch mounting holes on the screen pull. If your storm door does not have a rivet in this location, proceed to **step b**.

1. Using a 7/64" drill bit, drill through the center of the rivet until the rivet head separates from the rivet body.

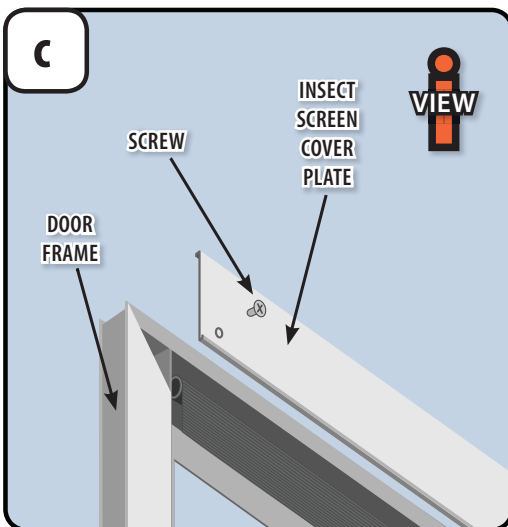


### WARNING

The SlideAway® insect screen is stored inside the door with a highly tightened spring. If released, insect screen may release suddenly causing injury or product damage. Maintain a firm grasp when detaching the insect screen from the window.



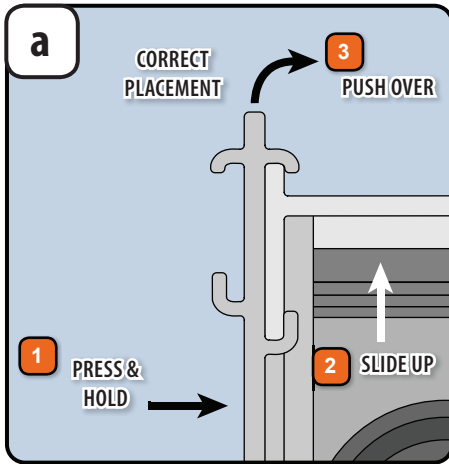
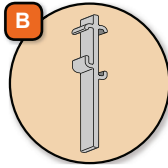
1. A slight pull down and inwards will disengage the insect screen pull lip and window latch rail. Maintain a firm grasp when detaching the insect screen from the window.
2. Raise the insect screen slowly until the insect screen pull lip is at the top of the window opening.



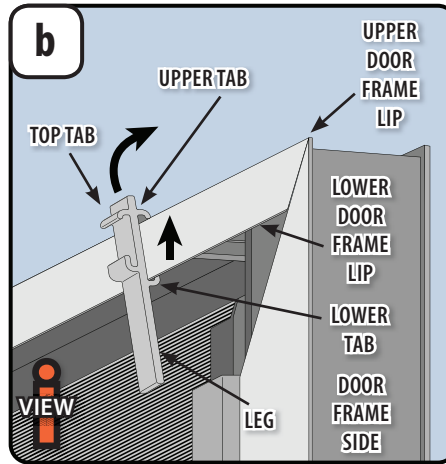
1. Using a Phillips head screw driver remove two (2) screws from the insect screen cover plate.
2. Once loose, the insect screen cover plate may be removed by lifting up and towards you.
3. Set the screen cover plate and screws aside to be re-installed later.

# 4

## INSTALL TEMPORARY SCREEN CLIPS



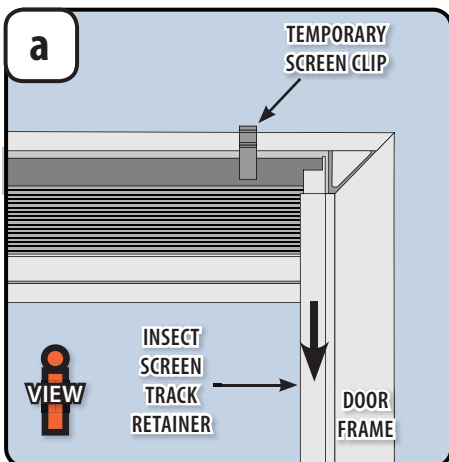
1. Position the temporary screen clip (B) with the large opening towards the door. The large opening will snap onto the top of the door frame.
2. Push in the center of the clip while sliding the clip's lower tab up and over the lower door frame lip. The clip leg should be in front of the insect screen cloth, approximately 4-5" in from each door frame side.



1. Apply pressure to the top tab as indicated in the picture. You should hear an audible snap which indicates that the upper tab has been seated over the upper door frame lip.
2. Repeat **steps 4a-b** for left temporary screen clip.

# 5

## REMOVE INSECT SCREEN TRACK RETAINERS



1. Starting from the bottom, pull the right insect screen track retainer out from the door frame. Carefully move up the entire length of the insect screen track retainer, pulling towards you to peel it out of the track.
2. To remove the insect screen track retainer from the retractable insect screen unit, slide the insect screen track retainer down.
3. Repeat above steps for left retainer. Properly dispose of screen track retainers.

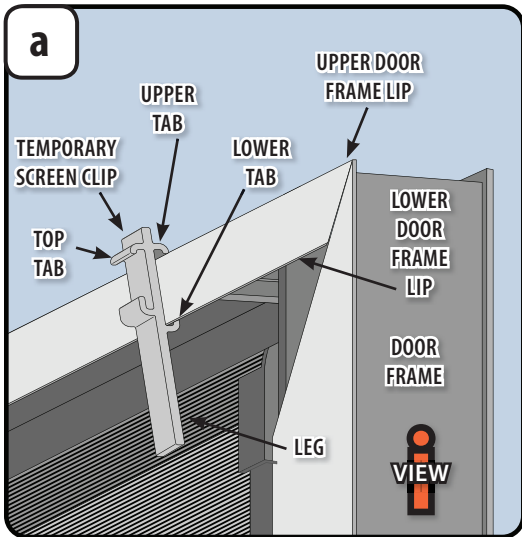


### WARNING

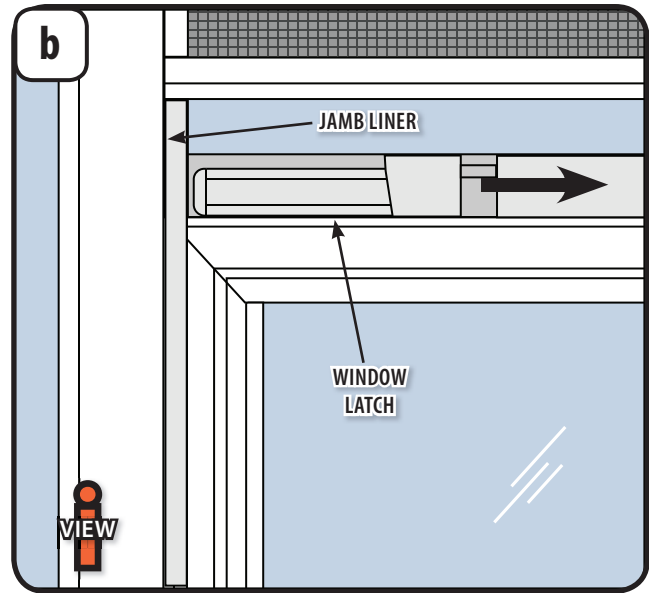
The SlideAway® insect screen is stored inside the door with a highly tightened spring. If released, insect screen may release suddenly causing injury or product damage. Maintain a firm grasp when detaching the insect screen from the window.

# 6

## REMOVE RETRACTABLE INSECT SCREEN UNIT



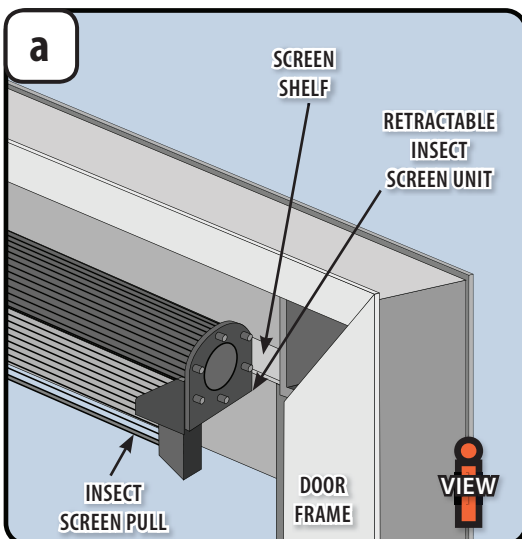
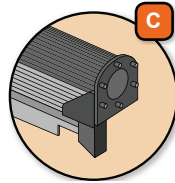
1. To remove the first temporary screen clip, pull the top tab towards you to release it from the upper door frame lip. Then slide the temporary screen clip down to remove it.
2. To remove the retractable insect screen unit, grasp it with one hand. Then with your other hand, repeat **step 1** to remove the other clip. Set temporary screen clips aside to be reinstalled later.
3. Properly dispose of retractable insect screen unit.



1. If window is stuck in the closed position, retract window latches and lower window until it rests on top of prop rod from **step 1**. Ensure window latches are in the jamb liner.

# 7

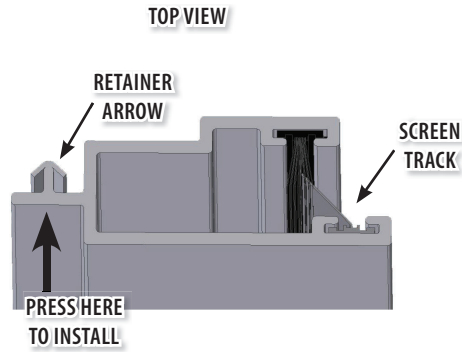
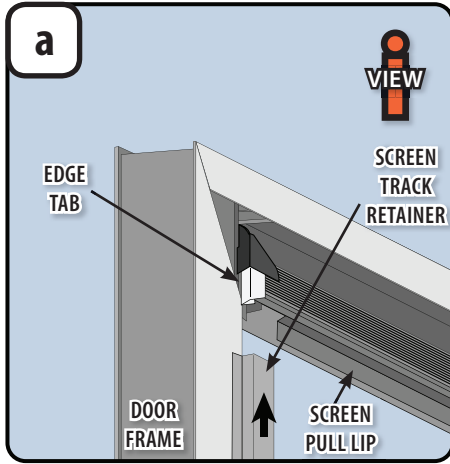
## INSTALL REPLACEMENT RETRACTABLE INSECT SCREEN UNIT



1. Position replacement insect screen (C) unit with the screen pull down and towards the inside of the home.
2. Place the replacement insect screen unit onto the screen shelf. The retracted insect screen unit will fit into the door frame and the screen pull will be exposed.
3. Refer back to **step 4** to install both temporary screen clips. Then proceed to **step 8**.

# 8

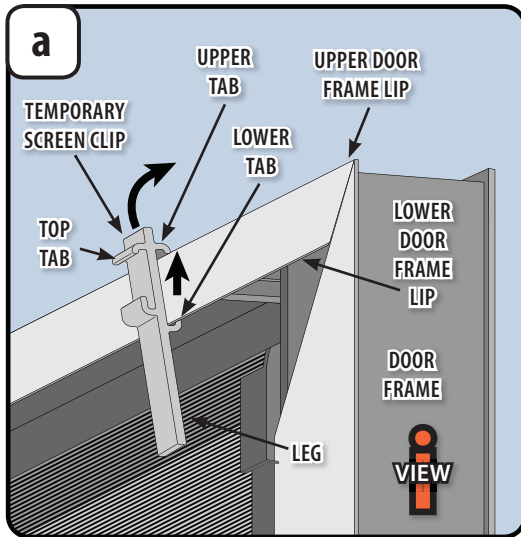
## INSTALL INSECT SCREEN TRACK RETAINERS



1. Place replacement screen track retainer (D) with the retainer arrow pointing towards the groove in the door. Slide the screen track retainer over the edge tab of the retractable insect screen unit.
2. To install screen track retainer, start at top of door and work down progressively. Use your thumb to press straight on the back of the retainer arrow.
3. Repeat **steps 1-2** for the other replacement screen track retainer.

# 9

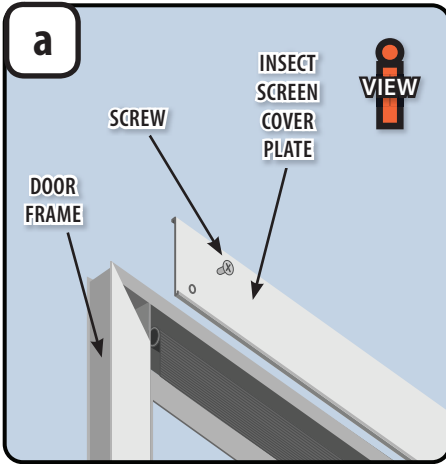
## REMOVE TEMPORARY SCREEN CLIPS



1. To remove the first temporary screen clip, pull the top tab towards you to release it from the upper door frame lip. Then slide the clip down to remove it.
2. Repeat **step 1** to remove the other clip. Properly dispose of temporary screen clips.

# 10

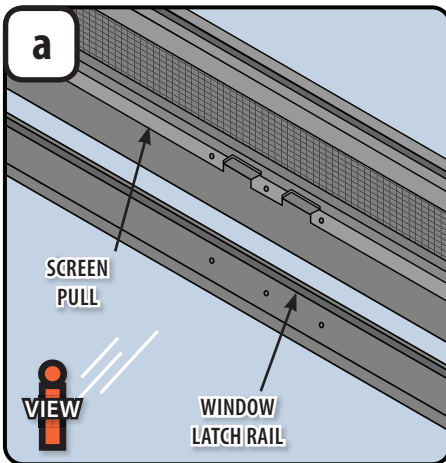
## INSTALL INSECT SCREEN COVER PLATE



1. To install insect screen cover plate, make sure that the edge of the insect screen cover plate hooks over the lip at the top of the door frame.
2. Secure the insect screen cover plate to the door using the two (2) screws removed previously.

# 11

## ATTACH INSECT SCREEN TO WINDOW



### WARNING

The SlideAway® insect screen is stored inside the door with a highly tightened spring. If released, insect screen may release suddenly causing injury or product damage. Maintain a firm grasp when detaching the insect screen from the window.

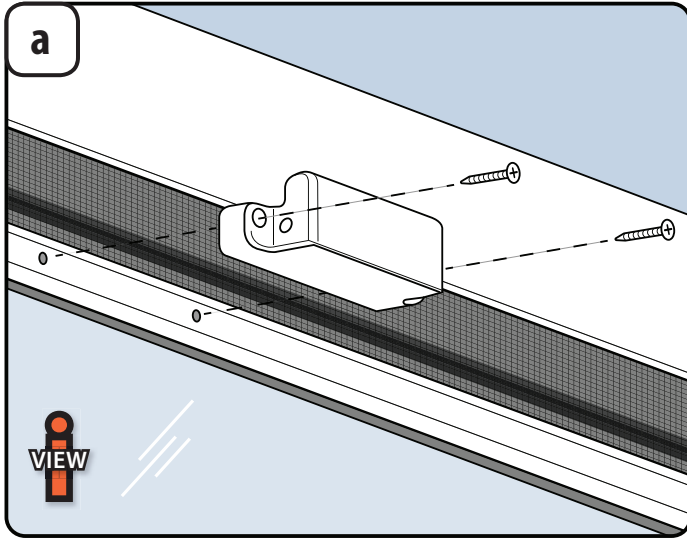
1. To position the insect screen and window, lower the screen pull over the top of the window latch rail. A slight pull towards you will allow the screen pull lip to maneuver around the window latch rail.
2. A slight push outwards will align the insect screen pull lip and window latch rail. Raise the screen slightly. The screen will be fully engaged when the window latch rail is interlocked with the screen pull lip.

**Note:** Do **NOT** raise window off of prop rod until after window handle is installed in **step 12**. This could cause the window to get stuck.

# 12

## INSTALL WINDOW LATCH ASSEMBLY

Tools needed:



1. Align the holes in the window latch assembly with the holes in the insect screen pull.
2. Use the two (2) screws removed in **step 1** to attach the window latch assembly to the insect screen pull and window frame. Do not overtighten screws.

### IMPORTANT

The screen system provides an insect barrier by allowing the insect screen cloth to travel between two strips of weather pile in the screen tracks. Slowly cycling the insect screen up and down several times will break in the weather pile. The insect screen may "bunch" during this process. If that happens, simply continue to raise the window and the insect screen will correct. Operating force of the window will decrease over time with increased window cycles.