

Replacement Guide



For Lock Case on Fullview Doors with Laminated Glass and Multi-Point Locking System

IMPORTANT: READ ENTIRE GUIDE BEFORE BEGINNING INSTALLATION.

PLEASE NOTE: Proper assembly, installation and maintenance are essential if the benefits of your Andersen® product are to be fully attained. Therefore, please read and follow this Replacement Guide completely. If your abilities do not match this procedure's requirements, contact an experienced contractor.

You may direct any questions to the **Solution Center** at 1-800-933-3626, Monday through Friday, 7 a.m. to 7 p.m. Central Time, and Saturday and Sunday, 8 a.m. to 5 p.m. Central Time.



WARNING:

Improper use of hand or power tools could result in personal injury and/or product damage. Follow equipment manufacturer's instructions for safe operation. Always wear safety glasses.



WARNING:

Weight of window and door unit(s) and accessories will vary. Use a reasonable number of people with sufficient strength to lift, carry, and install window and door unit(s) and accessories. Always use appropriate lifting techniques. Failure to do so may result in injury.

RECOMMENDED TOOLS:

- Safety Glasses
- Drill
- 1/8" Drill Bit
- Phillips Head Screwdriver
- 3/32" Hex Head Wrench

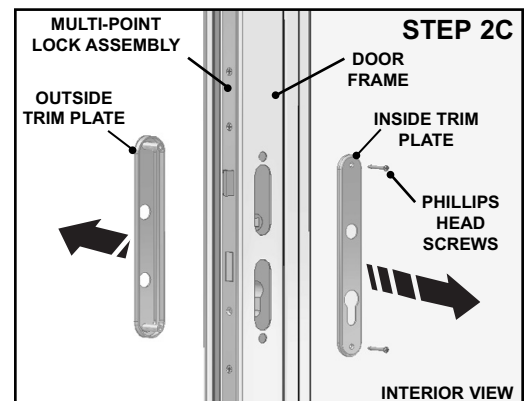
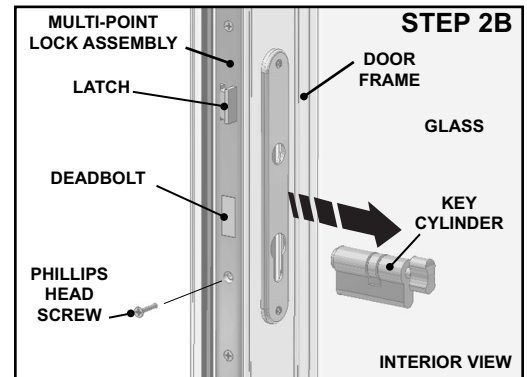
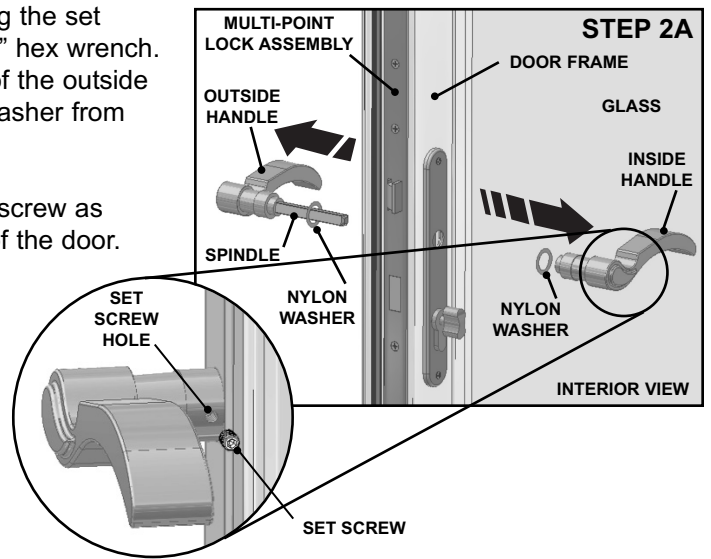
1. OPEN DOOR AND SECURE:

- A.** Open the door and set the closers to hold the door open.



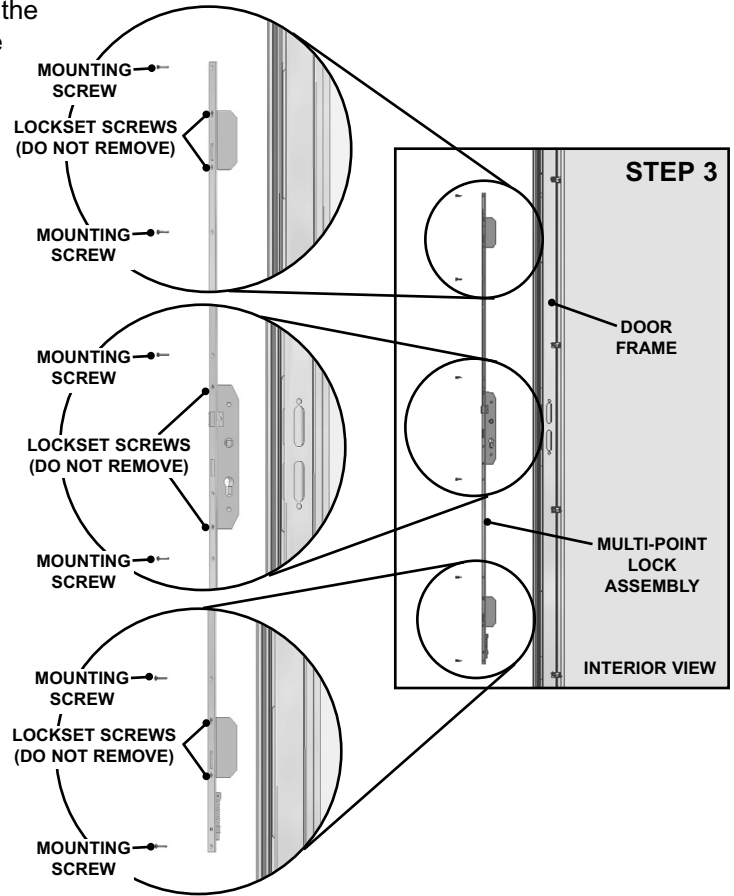
2. REMOVE HANDLE:

- A. Remove the door handles and nylon washers by loosening the set screw located on the side of the inside handle with a 3/32" hex wrench. Slide the inside handle and nylon washer off the spindle of the outside handle. Remove the outside handle, spindle and nylon washer from the door.
- B. Remove the key cylinder by unscrewing the phillips head screw as shown. Pull the deadbolt assembly out from the interior of the door. Save the screw for later use.
- C. Remove the inside and outside trim plates by unscrewing the two phillips head screws as shown and removing the plates from the door. Save the screws for later use.



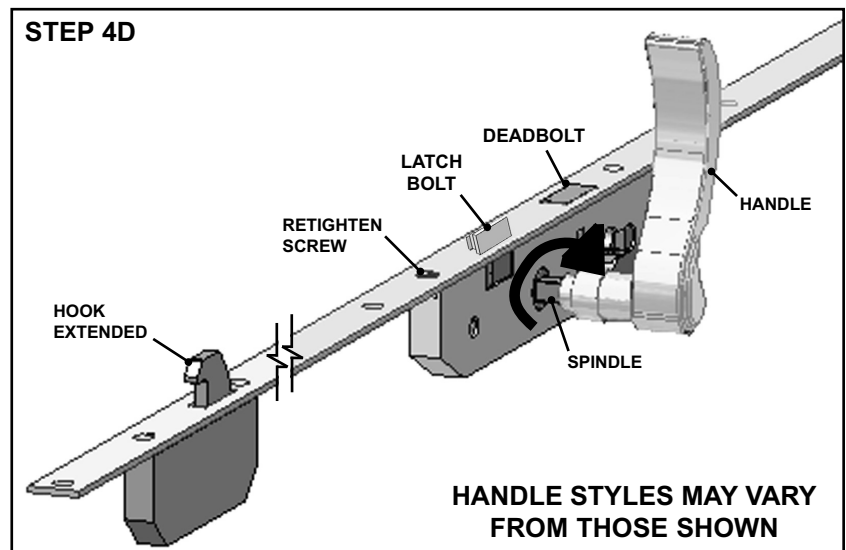
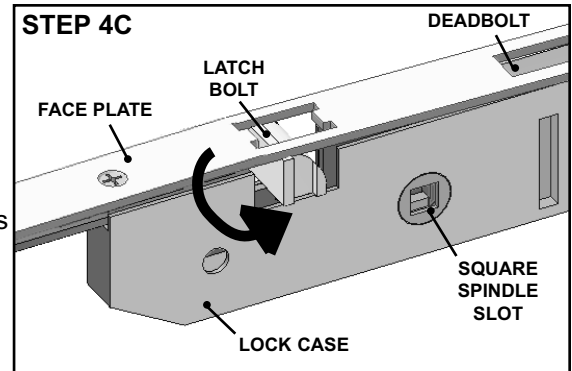
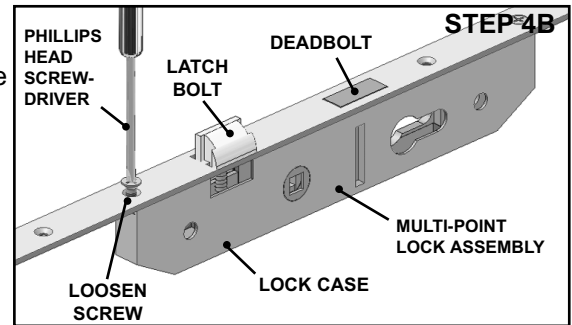
3. REMOVE MULTI-POINT LOCK ASSEMBLY:

- A. Remove the multi-point lock assembly by unscrewing the six (6) mounting screws attaching the assembly to the edge of the door frame.
- B. Remove the multi-point lock assembly from the door. Save the mounting screws as they will be used to reinstall the new multi-point lock assembly. Properly dispose of old multi-point lock assembly.



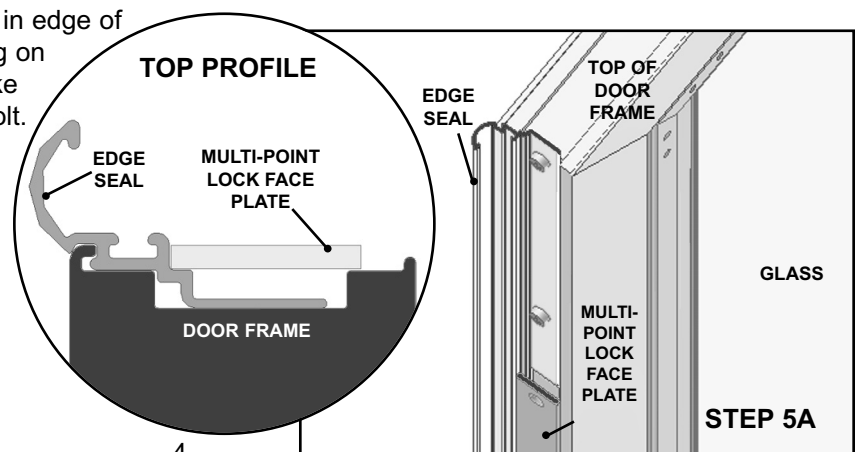
4. ROTATE LATCH BOLT FOR LEFT OR RIGHT HINGED DOOR:

- A. To determine if latch bolt is correctly positioned, hold multi-point lock assembly up in position on handle side edge of door with latch bolt above deadbolt. The rounded portion of the latch bolt should face the handle side z-bar. If the latch bolt is correctly positioned, proceed to Step 5.
- B. Lay multi-point lock assembly on flat, protected surface. Loosen screw near latch bolt in lock case approximately 4 turns, or until it is protruding above face plate 1/8".
- C. Slightly lift up on face plate. While maintaining this position with one hand, push down on latch bolt so it retracts into the lock case. With other hand, rotate latch bolt to the correct position for a left hinge or right hinge door.
- D. Once latch bolt is in correct position, retighten screw. To make sure linkages are engaged with lock case, insert handle spindle into square spindle slot on lock case and turn handle. When the handle is turned, the hooks should extend and retract into the multi-point lock assembly indicating that the linkages are engaged.
- E. If hooks do not extend out, refer to the Appendix at the end of this guide to re-engage the linkages before proceeding.



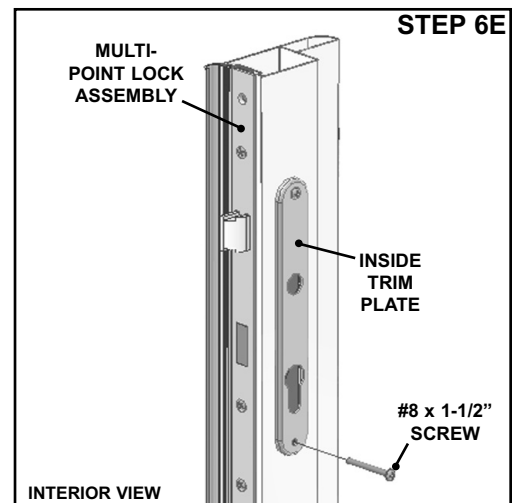
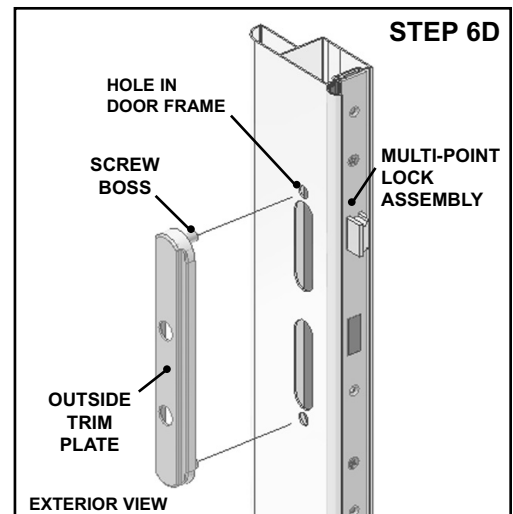
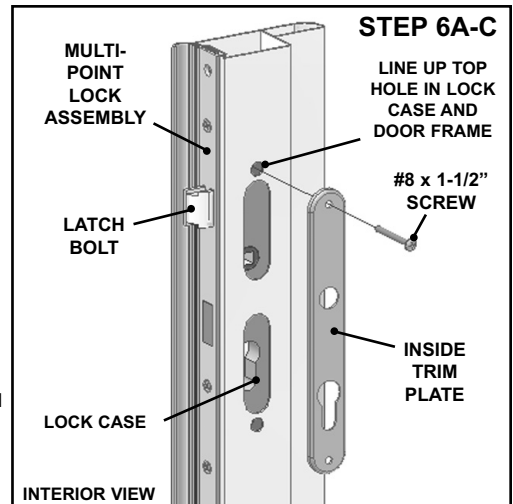
5. INSTALL MULTI-POINT LOCK ASSEMBLY

- A. Insert multi-point lock assembly into the slots in edge of door. Make sure face plate is properly resting on the door frame and edge seal. Check to make certain that the latch bolt is above the deadbolt.



6. INSTALL INSIDE AND OUTSIDE TRIM PLATES

- A. Insert one (1) #8 x 1-1/2" screw, previously removed, through the top hole of the inside trim plate and hold in one hand.
- B. With the other hand, raise the multi-point lock assembly by placing thumb under latch bolt and pushing up until the holes in the lock case are lined up with the holes on the inside of the door.
- C. Insert the screw in the trim plate through the upper pre-drilled hole on the inside of the door and through the hole in the lock case until trim plate is flat against inside of the door.
- D. Line up the top screw boss on the outside trim plate with the upper pre-drilled hole on the outside of the door and the inside trim plate screw. You may need to raise lock assembly slightly to line up screw with screw boss. Once they are lined up, thread the top inside trim plate screw into the top screw boss of outside trim plate. Do not tighten at this time.
- E. Insert one (1) #8 x 1-1/2" screw, previously removed, through the bottom hole of the inside trim plate, door and lock case. Thread screw into outside trim plate lower screw boss. Do not tighten at this time.



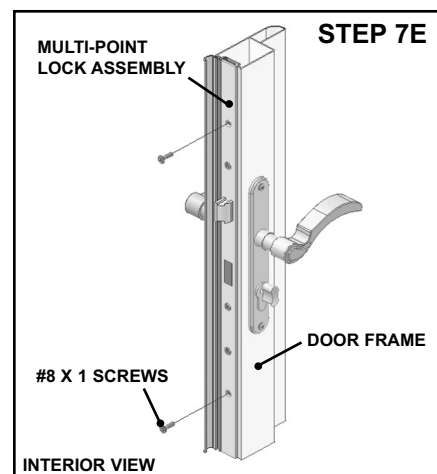
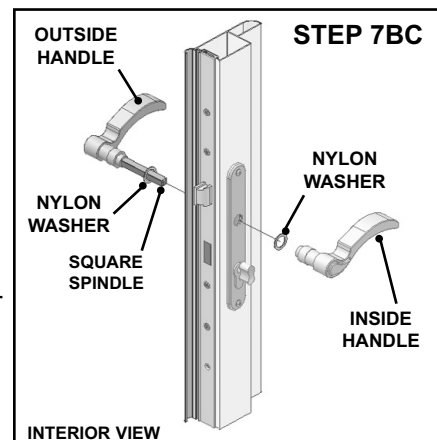
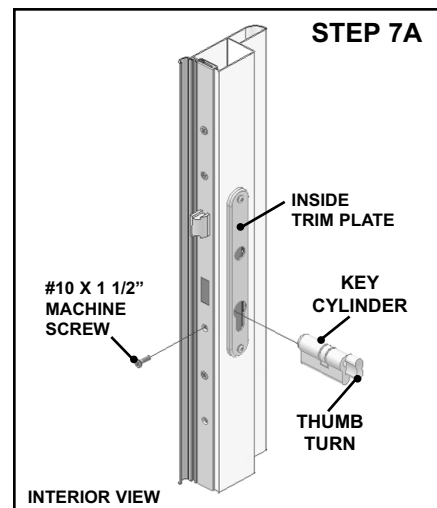
7. INSTALL KEY CYLINDER AND HANDLES

- A. Insert key cylinder through slot of inside trim plate with the thumbturn on the interior of the door. Secure key cylinder in place using #10 x 1 1/2" machine screw, previously removed.
- B. Place nylon washer over the outside handle spindle. Insert the square spindle of the outside handle through the square hole in trim plate, through lock case and push until square spindle is visible from interior of door.
- C. Slide second nylon washer and inside handle onto square spindle. Using the 3/32 hex wrench, tighten the set screw on the inside handle. Do not squeeze the handles together too tightly when tightening the set screw.
- D. Tighten trim plate and key cylinder screws at this time.
- E. Secure the multi-point lock assembly to the door frame with six (6) #8 x 1" phillips screws.

CAUTION

Do not overtighten screws securing multi-point lock assembly to door. Overtightening may cause binding of multi-point lock assembly and/or failure to operate.

- F. Check function of multi-point lock. When the handle is lifted up and released, the hooks should extend and retract into the multi-point lock assembly. If hooks do not extend out, slightly loosen the screws from Step 7E until handle set operates freely.



HANDLE STYLES MAY VARY FROM THOSE SHOWN

USING YOUR MULTI-POINT LOCK

Locking your door:

To lock your door from the **interior**, close the door. Slowly extend the hooked locks by lifting up on the handle. While the handle is lifted up, rotate the thumbturn towards handle side of door, one complete turn.

To lock your door from the **exterior** of your home, use the keys enclosed with the handle. Lift handle up while turning the key towards the handle side of the door, one complete turn.

Unlocking your door:

To unlock from the **interior** of your home, lift up on the handle and rotate thumbturn towards hinge side of door, one complete turn.

To unlock from the **exterior**, use the keys enclosed with the handle. Lift handle up while turning the key towards the hinge side of door, one complete turn.

APPENDIX RE-ENGAGE MULTI-POINT LOCK LINKAGE

IMPORTANT

If the hooks of the multi-point lock extend out when operating the handle for locking, then this step is not necessary.

- A. With multi-point lock assembly laying on a flat protective surface, completely remove the screw above the latch bolt.
- B. Slightly lift up on face plate until the linkage and engagement pins are visible.
- C. The linkage will have a long slot and a square hole located towards the end.
- D. Line up the square hole at the end of the linkage with the square engagement pin. Place linkage down until square pin goes through square hole.
- E. When square engagement pin is engaged in square hole the half moon engagement pin should be positioned towards the back of the slot nearest the square engagement pin.
- F. Maintaining this position of the linkage, let face plate down to rest against lock case and reinstall screw.

