

Replacement Guide

EMCO®

For Piano Hinge Side Z-Bar

IMPORTANT: READ ENTIRE GUIDE BEFORE BEGINNING INSTALLATION.

PLEASE NOTE: Proper assembly, installation and maintenance are essential if the benefits of your Andersen® product are to be fully attained. Therefore, please read and follow this Installation Guide completely. If your abilities do not match this procedure's requirements, contact an experienced contractor.

You may direct any questions to the **Solution Center** at 1-800-933-3626, Monday through Friday, 7 a.m. to 7 p.m. Central Time, and Saturday and Sunday, 8 a.m. to 5 p.m. Central Time.



WARNING:

Improper use of hand or power tools could result in personal injury and/or product damage. Follow equipment manufacturer's instructions for safe operation. Always wear safety glasses.



WARNING:

Weight of window and door unit(s) and accessories will vary. Use a reasonable number of people with sufficient strength to lift, carry, and install window and door unit(s) and accessories. Always use appropriate lifting techniques. Failure to do so may result in injury.

RECOMMENDED TOOLS:

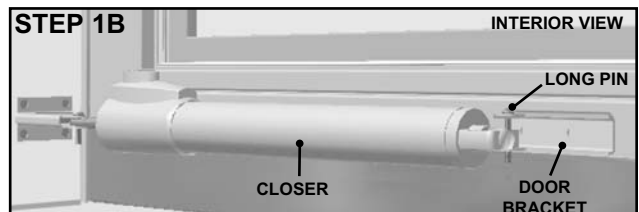
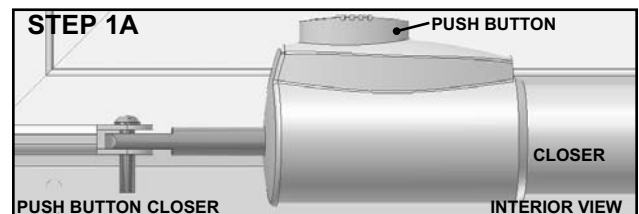
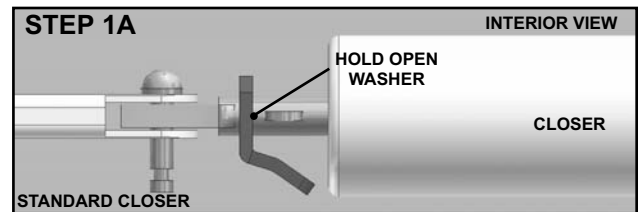
- | | | | |
|------------------|-----------------------------|------------------------|----------------|
| — Safety Glasses | — 3/32" and 1/8" Drill Bits | — Phillips Screwdriver | — Pencil |
| — Hacksaw | — Utility Knife | — Tape Measure | — Center Punch |
| — Drill | — Level | — Flathead Screwdriver | |

1. REMOVE CLOSERS:

- A.** For doors with **standard** closers, open the door a few inches and set the hold open washer on both top and bottom closers.

For doors with **push button** closers, open the door a few inches and set the push button closer by pressing the button with your foot.

- B.** Remove the top and bottom closers from the door by removing the long pins that hold the closer cylinders to the door brackets. **Save the pins to be reinstalled later.**



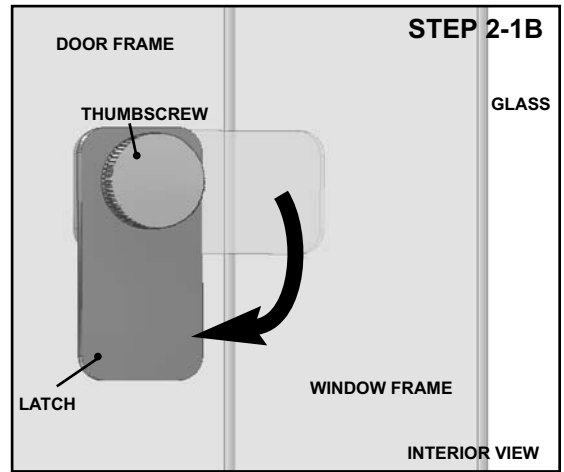
DOOR AND CLOSER STYLES WILL VARY.

2-1. REMOVE FULLVIEW WINDOW:

! WARNING
 Weight of window and door unit(s) and accessories will vary. Use a reasonable number of people with sufficient strength to lift, carry, and install window and door unit(s) and accessories. Always use appropriate lifting techniques. Failure to do so may result in injury.

NOTE: IF YOU HAVE A VENTILATING MODEL DOOR, PROCEED DIRECTLY TO STEP 2-2.

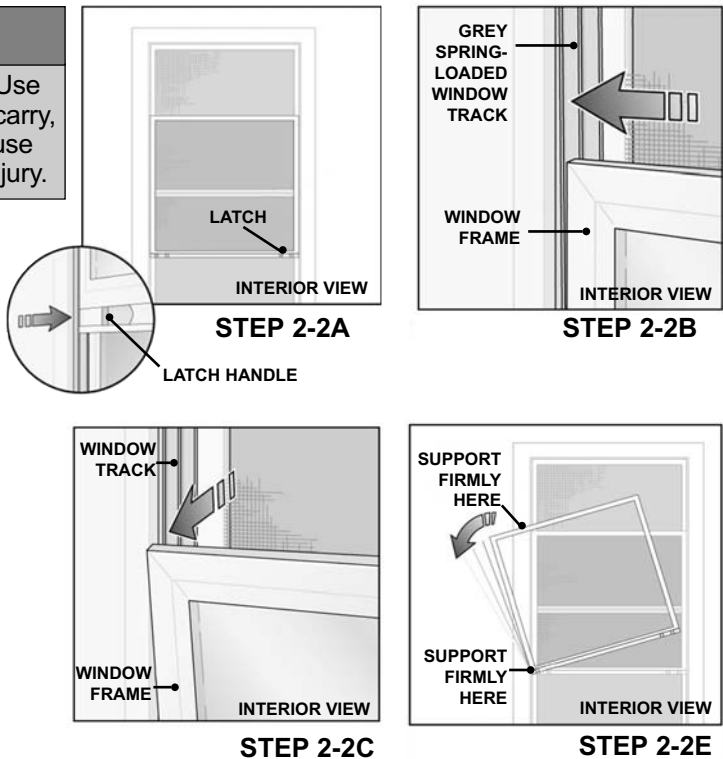
- A. Have helper support door.
- B. Rotate thumbscrew to the left (counterclockwise) until window latches can be turned to vertical position. (Screw only has to be loosened, not removed.)
- C. After all thumbscrews are loosened, carefully push window or insect screen away from door, supporting it as it tips.
- D. Place window unit in a safe location, in a vertical position. Never store or carry the window flat.



2-2. REMOVE VENTILATING WINDOWS (FOR TRIPLE-TRACK MODELS ONLY):

! WARNING
 Weight of window and door unit(s) and accessories will vary. Use a reasonable number of people with sufficient strength to lift, carry, and install window and door unit(s) and accessories. Always use appropriate lifting techniques. Failure to do so may result in injury.

- A. Slide bottom glass panel up to middle of window opening by sliding latch handles inward (toward each other) to disengage latches. Once properly positioned, release latch handles.
- B. Using one hand, depress grey spring-loaded window track by pushing grey spring-loaded track towards outer edge of frame. With pressure, the grey spring-loaded window track will slightly retract into the door frame.
- C. Pull upper left hand corner of the window frame toward you to release it from the window track.
- D. Slide the left latch handle inward to disengage and pull lower left hand corner of window frame toward you to release the entire left hand side of window frame from window track.
- E. Support window firmly at top and bottom and remove window.
- F. Slide top glass panel down to middle of window opening by sliding latch handles inward (toward each other) to disengage latches. Once properly positioned, release latch handles.
- G. Repeat Steps B-E above to remove top window.



3. REMOVE SCREW COVER AND DOOR:

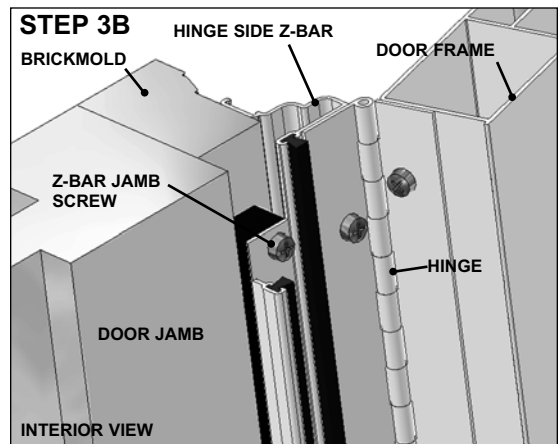
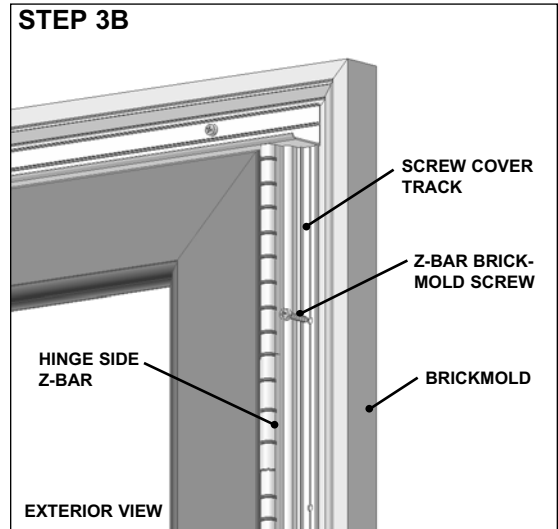
! WARNING

Weight of window and door unit(s) and accessories will vary. Use a reasonable number of people with sufficient strength to lift, carry, and install window and door unit(s) and accessories. Always use appropriate lifting techniques. Failure to do so may result in injury.

- A. Remove the hinge side Z-bar screw cover by prying up the edge with a flathead screwdriver and peeling the cover from the screw cover track. Properly dispose of screw cover. A new screw cover is provided in your replacement kit.
- B. Remove the screws that attach the hinge side Z-bar to the brickmold and the screws that secure the Z-bar to the jamb. Properly dispose of screws. New screws are provided in your replacement kit. **If you have a door model that uses security studs to attach the Z-bar to the jamb, you may want to keep these to use for the added security feature.**

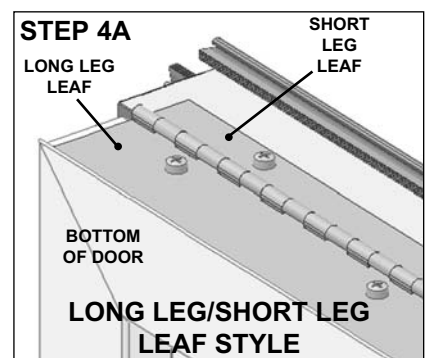
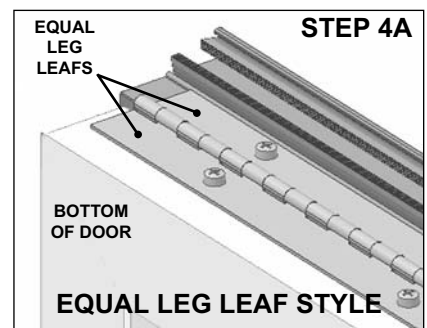
! WARNING

When all screws are removed, door will come free from opening. Firmly support the door. Failure to do so may result in injury and/or product damage.



4. DETERMINE TYPE OF HINGE ON DOOR:

- A. Determine hinge type on door. Depending on the age of the door, the door will either have a long leg/short leg hinge leaf or an equal leg hinge leaf.
- B. If **equal leg** hinge leaf style, go to step 5-1.
If **long leg/short leg** hinge leaf style, go to Step 5-2.



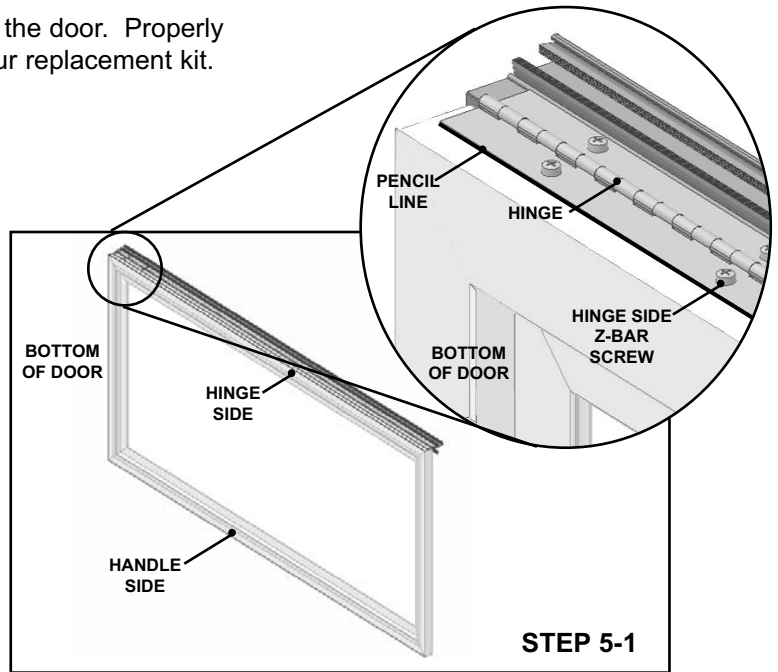
5-1. MARK EDGE LOCATION OF HINGE AND REMOVE HINGE FROM DOOR:

EQUAL LEG HINGE LEAF STYLE ONLY.

- A. Position door lengthwise on edge, with handle side down and hinge side up. With a pencil, mark on the door the location of the existing hinge along the edge down the entire length.
- B. Remove the screws holding the hinge side Z-bar to the door. Properly dispose of screws. New screws are provided in your replacement kit.

IMPORTANT

Remove serial number label from inside of hinge side Z-bar and retain for warranty purposes.



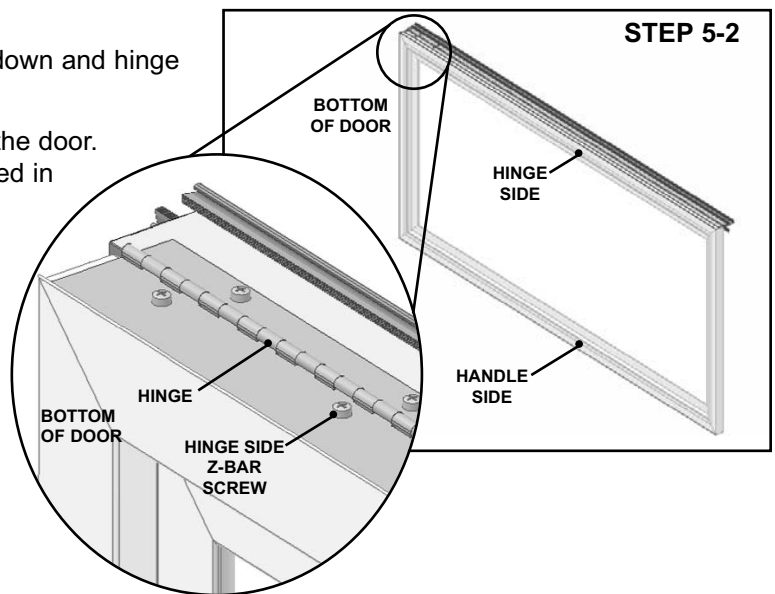
5-2. REMOVE HINGE FROM DOOR:

LONG LEG/SHORT LEG HINGE LEAF STYLE ONLY.

- A. Position door lengthwise on edge, with handle side down and hinge side up.
- B. Remove the screws holding the hinge side Z-bar to the door. Properly dispose of screws. New screws are provided in your replacement kit.

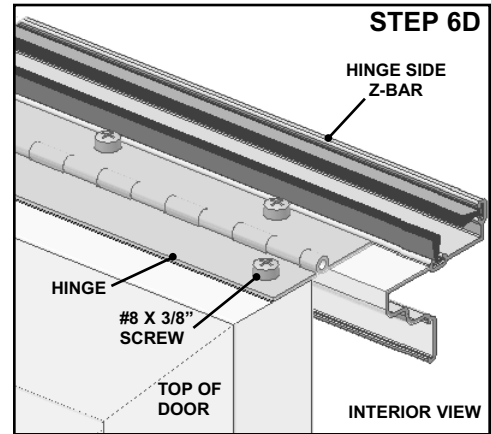
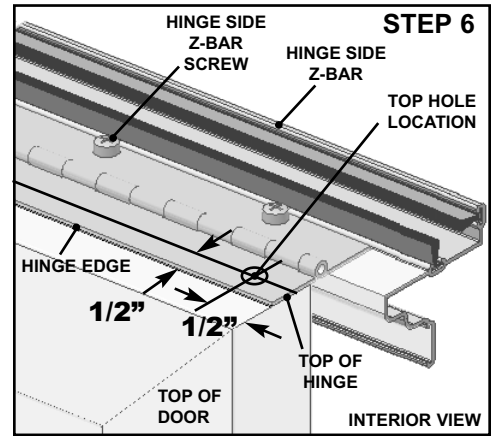
IMPORTANT

Remove serial number label from inside of hinge side Z-bar and retain for warranty purposes.



6. MARK AND PREDRILL TOP HINGE SCREW ON REPLACEMENT HINGE:

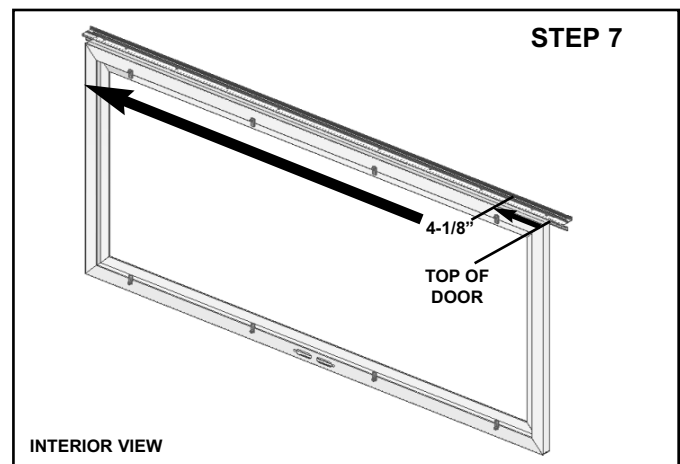
- A. With replacement hinge open, measure in from the edge of hinge 1/2". Draw a line down the entire length of the hinge leaf maintaining this 1/2" dimension.
- B. Place the replacement hinge side Z-bar against the hinge side of the door. Place end of hinge flush with top of the door. Line up the edge of hinge with the previously drawn pencil mark in Step 5-1 or with the groove on the edge of the door if original hinge was a long leg/short leg hinge leaf style.
- C. Measure down from the top of the hinge 1/2" and mark this location on 1/2" line (previously marked in Step A) with a pencil.
- D. Using a center punch, punch the top hole location. Holding the hinge firmly against the edge of the door in proper position, predrill a 3/32" hole through the hinge and into the door. Attach hinge to door with the #8 x 3/8" screw provided.



7. MEASURE AND INSTALL HINGE SCREWS:

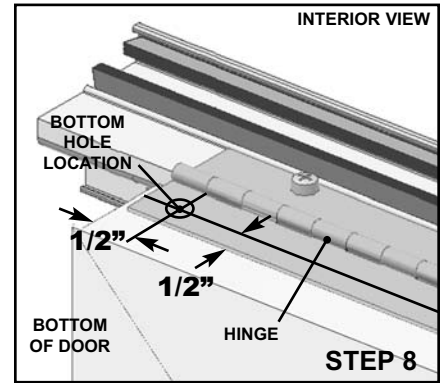
- A. Using the chart provided, proceed to measure and mark the next nine (9) hinge screw locations on the 1/2" line (previously marked in Step 6A) with a pencil. Screw locations 2-10 are measured from the top of the door.
- B. Using a center punch, punch the nine (9) remaining hole locations. Holding the hinge firmly against the edge of the door and in proper position, predrill a 3/32" hole through the hinge and into the door. Attach hinge to door with the #8 x 3/8" screws provided.

Screw Location	Measure from Top of Door
2	4-1/8"
3	14-1/8"
4	22-7/8"
5	31-5/8"
6	40-3/8"
7	49-1/8"
8	58"
9	66-5/8"
10	74"



8. MEASURE AND INSTALL BOTTOM HINGE SCREW:

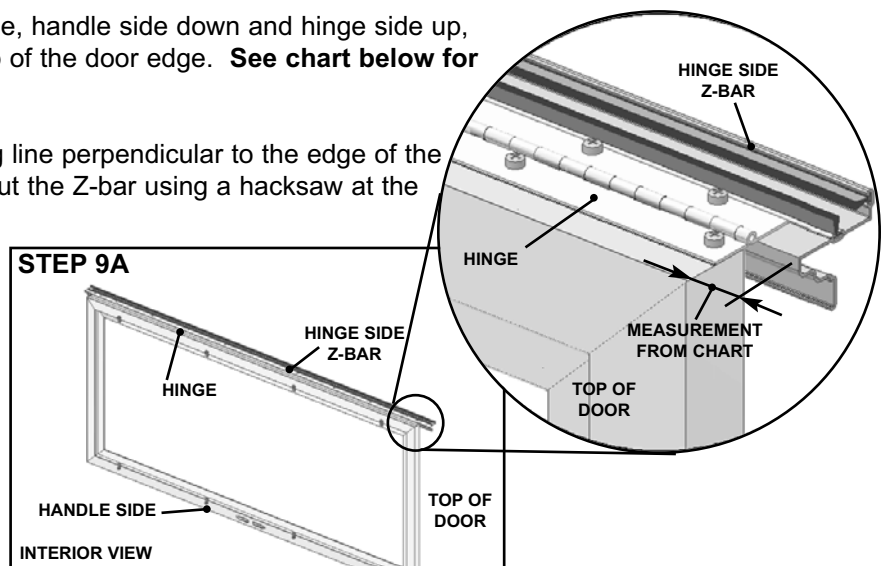
- A. Measure up from the bottom of the door 1/2" and mark this location on the 1/2" line (previously marked in Step 6A) with a pencil on the hinge.
- B. Using a center punch, punch the bottom hole location. Holding the hinge firmly against the edge of the door and in proper position; predrill a 3/32" hole through the hinge and into the door at this bottom hole location. Attach hinge to door with the remaining #8 x 3/8" screw provided.



9. CUT TOP OF HINGE SIDE Z-BAR:

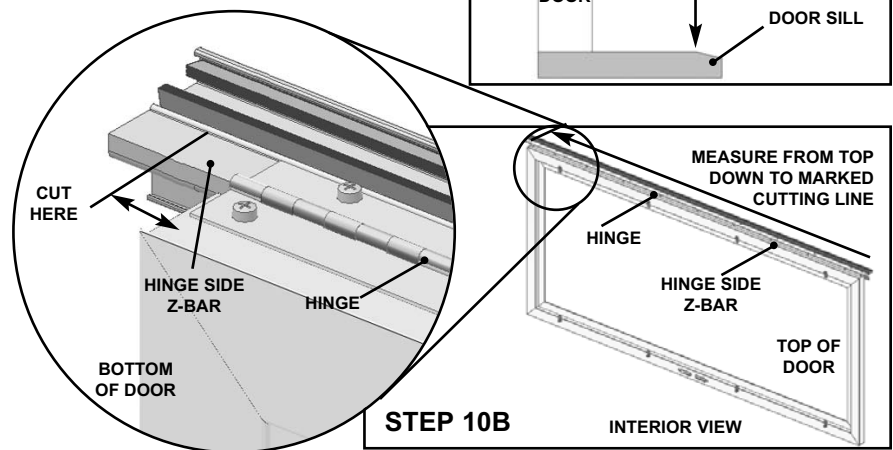
- A. With the door positioned on edge lengthwise, handle side down and hinge side up, measure the required distance from the top of the door edge. **See chart below for required distances.**
- B. Using a square and a pencil, draw a cutting line perpendicular to the edge of the Z-bar and parallel to the top of the door. Cut the Z-bar using a hacksaw at the cutting line.

<p>If the rain cap at the top of your door opening looks like this:</p>	<p>Use this measurement from top of the door:</p>
	<p>1/4"</p>
	<p>3/16"</p>



10. CUT BOTTOM OF HINGE SIDE Z-BAR:

- Measure your door opening height on the hinge side from the underside of the rain cap to the top of the door sill. This is the measurement that you will use to cut hinge side Z-bar to length.
- Using this height, measure down from the top of the hinge side Z-bar. Mark a cutting line at door opening height and cut to length with a hacksaw at bottom of hinge side Z-bar. **If door sill has an angled slope, you may wish to cut the hinge side Z-bar at a slight angle to match.**

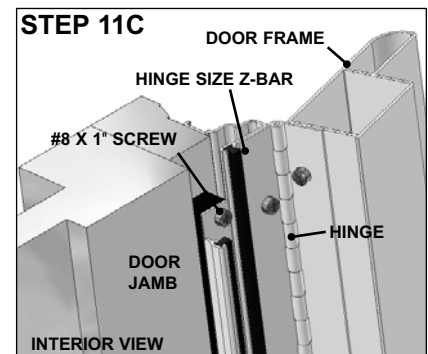
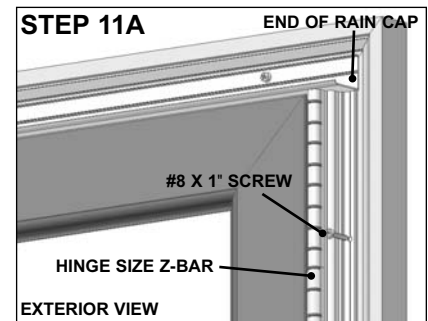


11. PLACE DOOR IN OPENING:

- Set the door in the door opening so that the hinge side Z-bar is flush with the end of the rain cap and is tight against the underside of the rain cap. Install one (1) #8 x 1" screw through the top mounting hole of the Z-bar into the brickmold. If needed, predrill the hole using a 1/8" drill bit.
- Using a level, make sure the hinge side Z-bar runs straight up and down. Install the seven (7) #8 x 1" screws in the remaining holes. (Make sure the door opens and closes freely before proceeding.)
- Open the door and locate three mounting holes on the inside of the Z-bar into the door jamb. Install three (3) #8 x 1" screws.

IMPORTANT

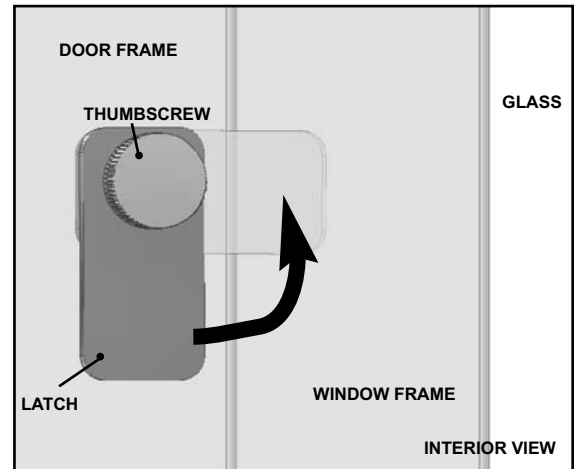
Overtightening may deform the hinge side Z-bar. If the hinge side Z-bar is deformed from overtightening, the screws may be loosened until the hinge side Z-bar is straight.



12-1. RE-INSTALL FULLVIEW WINDOW UNIT:

NOTE: IF YOU HAVE A VENTILATING MODEL DOOR, PROCEED DIRECTLY TO 12-2.

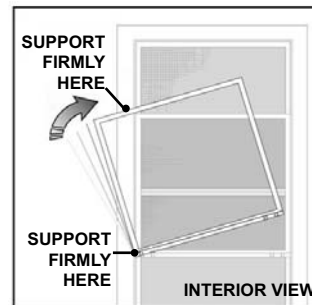
- Make sure the thumbscrews are loosened and latches are in vertical position.
- Center window in bottom of door frame and carefully tilt it forward into frame. Make sure the weather seal bulb on the window faces outward (away from your home).
- Have a helper support window.
- One at a time, move latches to horizontal position and hold.
- Rotate thumbscrew to the right (clockwise) until window latch is secured. Repeat for all thumbscrews.



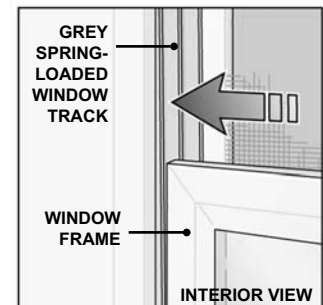
12-2. RE-INSTALL VENTILATING WINDOWS (FOR TRIPLE-TRACK MODELS ONLY):

Install top (taller) window in middle window track.

- Position right edge of window frame into right-side middle window track. Maintain pressure to keep window frame and latch edge in the window track.
- Using one hand, depress left-side grey spring-loaded window track. Using other hand, place upper left corner of window frame into track.



STEP 12-2A



STEP 12-2B

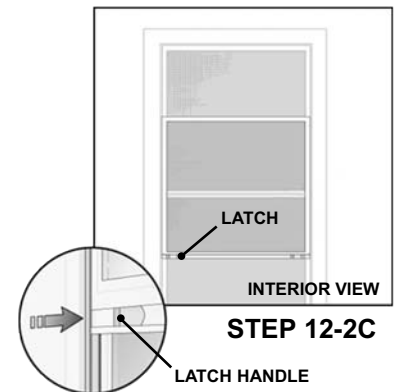
! WARNING

To avoid pinching fingers, be careful to keep fingers sufficiently away from window frame edge and window track. Failure to do so could result in injury.

- Slide left latch inward to allow left side of window to position into left-side track as you push it into place.
- Move window to bottom position.

Install bottom (Shorter) window in window track closest to you/toward the inside of your home.

- Position right edge of window frame in right-side inner window track. Maintain pressure to keep window frame and latch edge in the window track.
- Using one hand, depress left-side spring-loaded track. Using other hand, place upper left corner of window frame in track.
- Slide left latch inward to allow left side of window to position into left-side track as you push it into place.
- Move bottom (shorter) window to the top position at this time.
- Move top (taller) window (middle track) to its top position.
- Move bottom (shorter) window to bottom position.



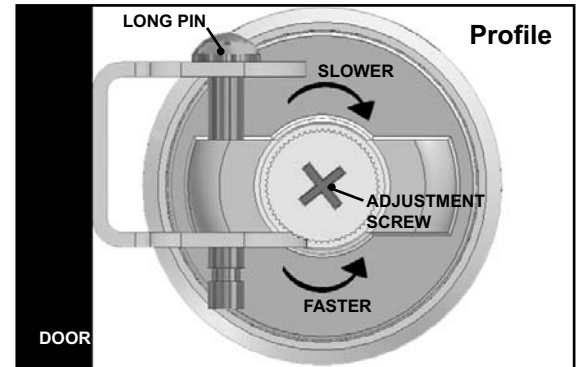
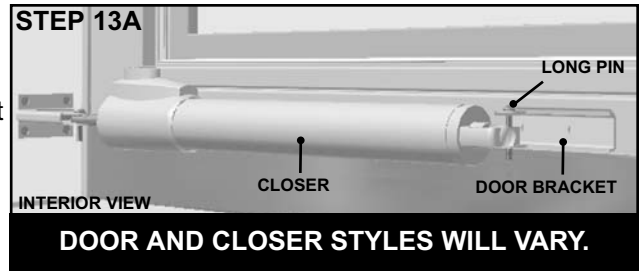
STEP 12-2C

IMPORTANT

The **bottom** (shorter) window should be in the **inside track** (closest to you) in the bottom position, and the **top** (taller) window in the **middle track**, in the top position, for proper unit performance.

13. REATTACH CLOSERS:

- A.** Reattach the top and bottom closers to the door brackets by securing in place with the long pins removed earlier.
- B.** It may be necessary to readjust the closing speed of the door at this time. Use a Phillips screwdriver to adjust the closer to desired speed.
1. For **faster** closing speed, turn adjustment screw to the left (counterclockwise).
 2. For **slower** closing speed, turn adjustment screw to the right (clockwise).
 3. Test door after each adjustment of the screw, by opening it, then let it close, and then adjust screw further (if needed) until desired closing speed is achieved.



14. INSTALL SCREW COVERS:

- A.** Locate the hinge side screw track.
- B.** Lock one leg of screw cover in notch of screw track. Use forefingers to apply pressure to other leg to snap it into the track. Make sure that the screw covers snap into the screw track along the entire length of Z-bar.
- C.** Make sure that the screw cover is pushed all the way up and flush with the top of the Z-bar. Trim off any excess that may remain with a utility knife or sharp scissors.

