

REPLACEMENT (QUAD) HINGE SIDE Z-BAR INSTRUCTIONS

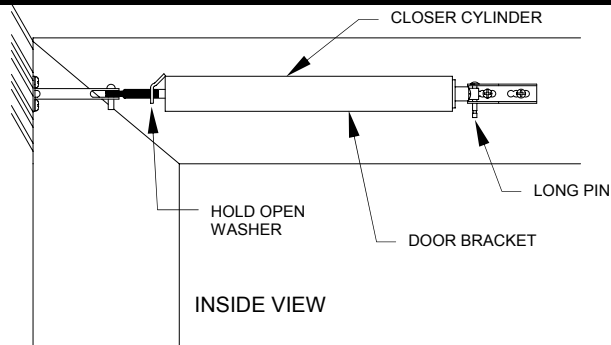
-IF YOU HAVE ANY QUESTIONS REGARDING THE INSTALLATION OF THE REPLACEMENT Z-BAR PLEASE CALL OUR CUSTOMER SERVICE DEPARTMENT AT 1-800-933-3626.

-BECAUSE THE INSTRUCTIONS ARE FOR DIFFERENT DOOR STYLES, PLEASE FOLLOW THE INSTRUCTIONS CAREFULLY.

1. SEPARATE CLOSER:

Open the door a few inches and set the hold open washer on the closer(s) to release tension on the closer. Separate the closer(s) from the door by removing the long pin that holds the closer cylinder to the door bracket as shown.

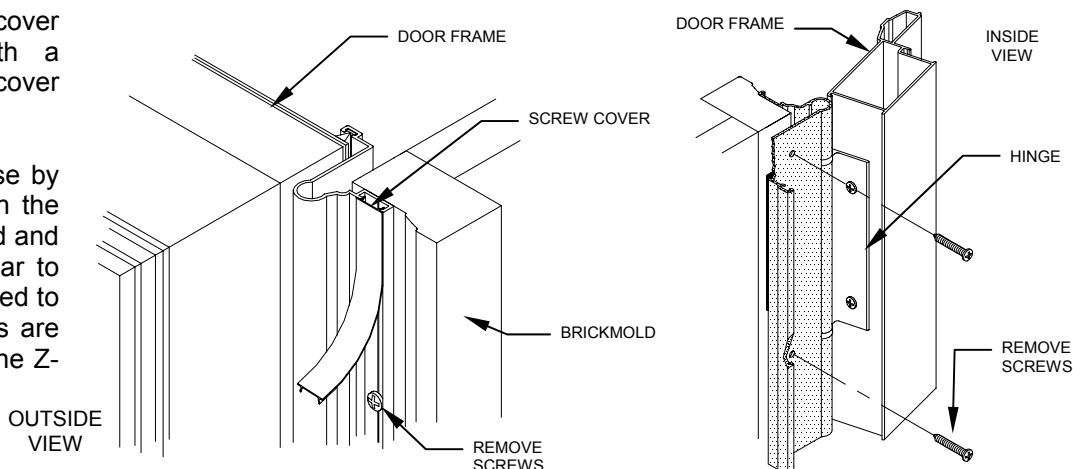
BE SURE TO SAVE THE PIN(S).



2. REMOVE DOOR FROM OPENING:

If applicable, remove the screw cover by prying up the edge with a screwdriver and peeling the cover from the screw cover track.

Remove the door from the house by removing the screws that attach the hinge side Z-bar to the brickmold and the screws that secure the Z-bar to the jamb. The screws do not need to be saved. Replacement screws are provided in the kit to re-attach the Z-bar to the brickmold.

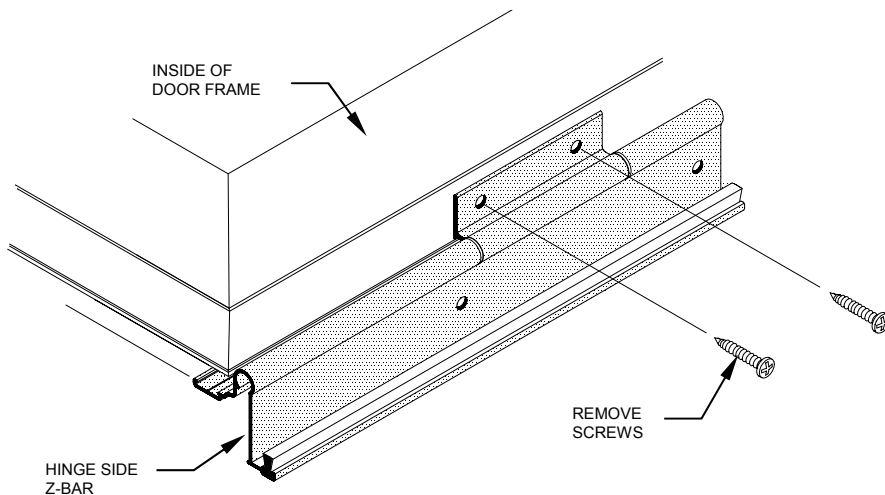


3. REMOVE HINGE SIDE Z-BAR:

Support the door on a flat surface, or saw horses, being careful not to scratch the surface of the door.

Remove the screws holding the hinge side Z-bar to the door.

BE SURE TO SAVE THE SCREWS.



EMCO ENTERPRISES, INC.

P.O. Box 853
Des Moines, Iowa 50304
1-800-933-3626

4. PREPARE REPLACEMENT HINGE SIDE Z-BAR:

Place the replacement hinge side Z-bar against the door so that the holes in the hinges match the existing holes drilled into the door. Attach the hinge side Z-bar to the door with #8 screws removed in Step 3.

Refer to the hinge profiles to ensure that the Z-bar extends beyond the top of the door frame the required distance. If the Z-bar extends more than the required distance beyond the door frame, measure up from the top of the door edge using the required distance. Using a square and a pencil, draw a cutting line perpendicular to the edge of the Z-bar and parallel to the top of the door. Cut the Z-bar using a hacksaw.

**NOTE: HD 75/150 DOORS ONLY HAVE 3 HINGES.
ALL OTHER DOOR MODELS HAVE 4 HINGES.**

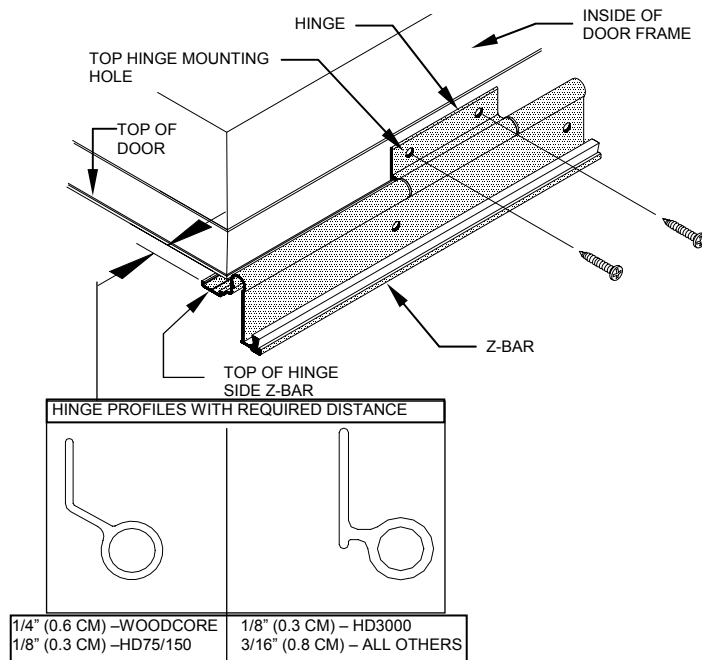
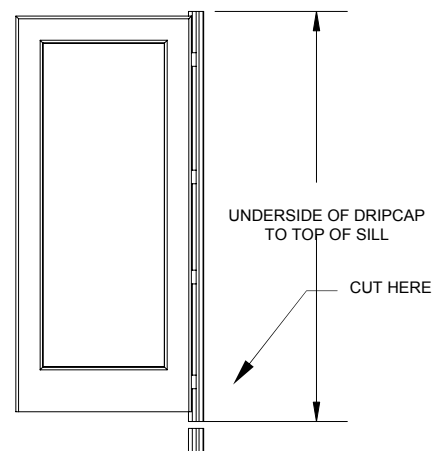


ILLUSTRATION SHOWS VIEW FOR RIGHT HINGED INSTALLATION.

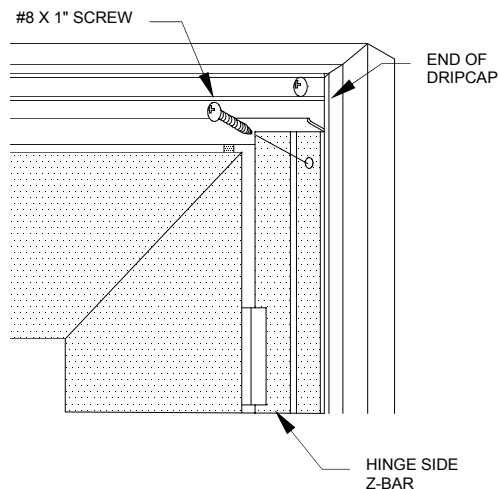
Measure the distance from the underside of the dripcap to the top of the door sill on the hinge side of the door opening. Using this measurement, measure down from the top of the Z-bar and mark a cutting line with a pencil and a square. Cut the Z-bar to length using a hacksaw.



5. RE-INSTALL DOOR IN OPENING:

Position the door in the opening so that the Z-bar is flush with the end of the dripcap and is touching the underside of the dripcap. Holding the Z-bar in place, align the holes in the Z-bar with the existing holes in the brickmold. Install one (1) #8 x 1" screw from the included screw pack in the top mounting hole only.

NOTE: IF THE HOLES IN THE Z-BAR DO NOT LINE UP WITH THE HOLES IN THE BRICKMOLD, DRILL 1/8" PILOT HOLES BEFORE INSTALLING NEW SCREWS.



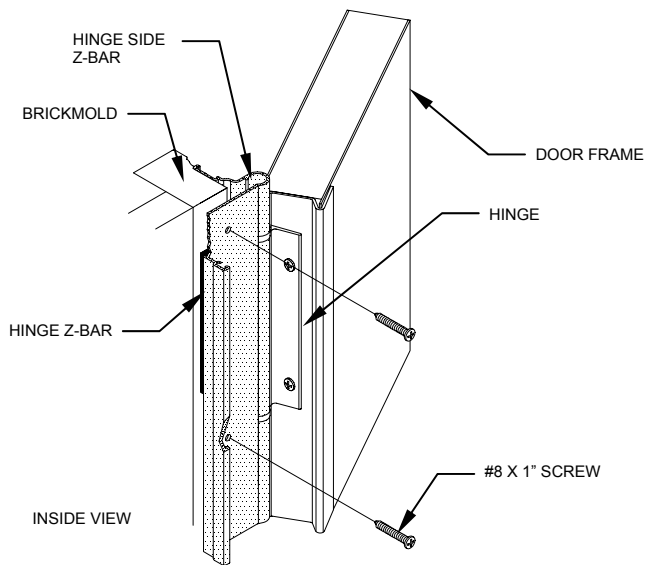
EMCO ENTERPRISES, INC.
P.O. Box 853 Des Moines, Iowa 50304
1-800-933-3626

6. SECURE DOOR TO OPENING:

Using a level, make sure the Z-bar runs straight up and down. Install the remaining #8 x 1" screws from the screw pack in the existing holes to hold the door in place. After the door is mounted to the opening, check to make sure the door opens freely. With the door open, locate the holes on the flat side of the Z-bar and install #8 x 1" screws from the screw pack to secure the Z-bar to the jamb.

DO NOT DEFORM THE Z-BAR BY OVER TIGHTENING THE SCREWS. IF THE Z-BAR IS DEFORMED FROM OVER TIGHTENING, THE SCREWS MAY BE BACKED OUT UNTIL THE Z-BAR IS STRAIGHT.

NOTE: IF HOLES IN Z-BAR DO NOT LINE UP WITH THE HOLES IN THE BRICKMOLD, DRILL 1/8" PILOT HOLES BEFORE INSTALLING NEW SCREWS.

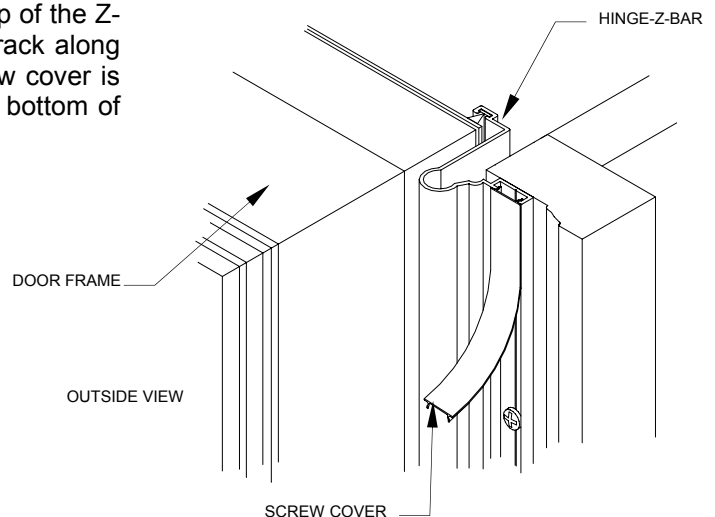


7. RE-ATTACH CLOSER(S):

Re-attach the closer(s) to the door. The door bracket should still be on the door. Join the closer cylinder with the door bracket and secure with the long pin removed in STEP 1.

8. INSTALL SCREW COVER (IF APPLICABLE):

Place the edge of the screw cover over the track at the top of the Z-bar. Using your thumb, press the screw cover into the track along the entire length of the Z-bar. Making sure that the screw cover is flush with the top of the Z-bar, trim off any excess at the bottom of the Z-bar with a razor knife or a sharp pair of scissors.



EMCO ENTERPRISES, INC.

P.O. Box 853 Des Moines, Iowa 50304
1-800-933-3626