

# HANDLE SIDE Z-BAR REPLACEMENT INSTRUCTIONS

IF YOU HAVE ANY QUESTIONS REGARDING THE INSTALLATION OF THE REPLACEMENT Z-BAR PLEASE CALL OUR CUSTOMER SERVICE DEPARTMENT AT 1-800-933-3626.

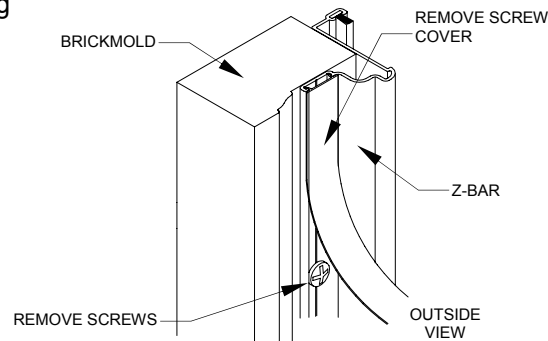
## 1. OPEN DOOR:

Open the door and set the closers to keep the door open. This will aid in removing the Z-bar and striker and installing the replacement Z-bar.

## 2. REMOVE SCREW COVER:

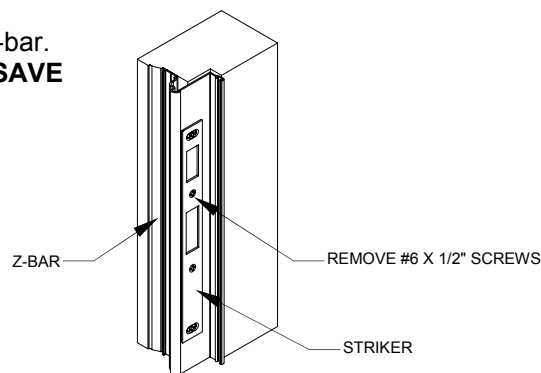
Remove the screw cover by prying up the edge with a screwdriver and peeling the cover from the screw cover track.

HD3500 DOOR PARTS SHOWN FOR ALL ILLUSTRATIONS



## 3. REMOVE STRIKER:

Remove the striker from the Z-bar so it can be reused on the replacement Z-bar. To remove the striker, remove the four (4) #6 x 1/2" screws. **BE SURE TO SAVE THE SCREWS.**



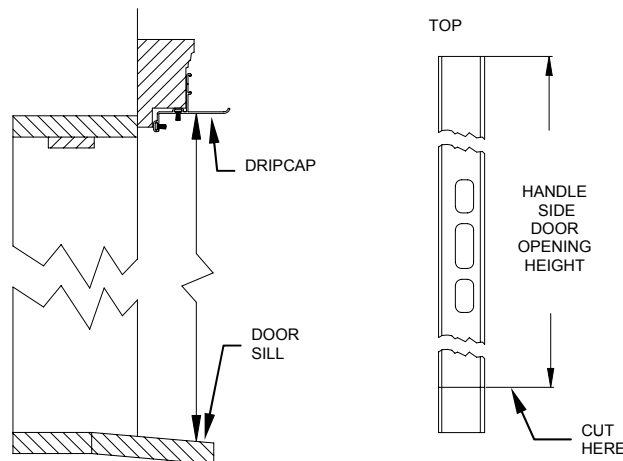
## 4. REMOVE HANDLE SIDE Z-BAR:

Remove the seven (7) screws from the Z-bar. The screws do not need to be saved. Screws are provided in the kit to install the replacement Z-bar.

## 5. CUT HANDLE SIDE Z-BAR TO LENGTH:

To determine which end of the Z-bar is top, hold the handle side Z-bar up to the door opening opposite the hinge Z-bar. The screw track will be on the right side for a right hinge doors and to the left for left hinge doors. Mark the top of the Z-bar with a piece of tape.

Measure your door opening height on the handle side from the underside of the dripcap to the top of the door sill. Using this measurement, measure down from the top of the Z-bar, mark a cutting line and cut to length. **Note: If the sill of your entryway has an angled slope, you may wish to cut the Z-bar at a slight angle to match.**

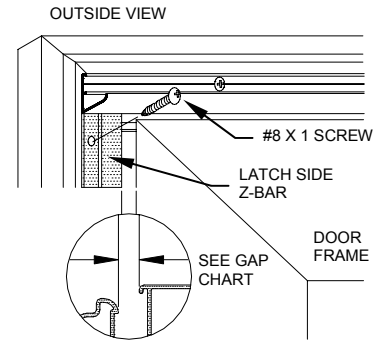


Emco P/n 607004  
Printed 02-01

## 6. INSTALL HANDLE SIDE Z-BAR:

Set the latch side Z-bar in the door opening so that the top is pushed against the underside of the dripcap. Using the gap chart, maintain the necessary gap between the Z-bar and the latch side edge of the door. Drill an 1/8" pilot hole through the top mounting hole and into the brickmold. Secure the top of the Z-bar with one (1) #8 x 1" screw. Recheck to see that you have maintained the necessary gap. Drill and install the six (6) #8 x 1" screws in the remaining holes.

Door Style	Required Gap
All HD2500 Series	3/16" (0.5 cm)
All HD3000 Series	3/16" (0.5 cm)
All HD3500 Series	1/4" (0.6 cm)

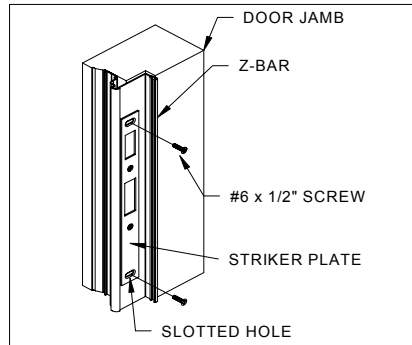


## 7. INSTALL STRIKER:

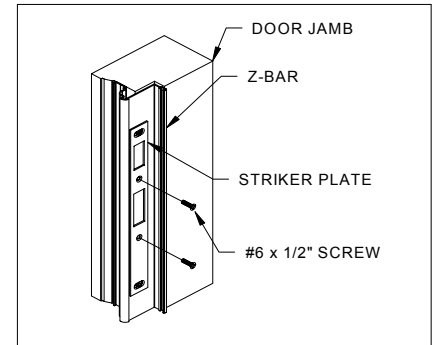
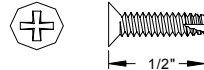
Extend the deadbolt and mark its top and bottom on the z-bar. Open the door and place the striker on the z-bar.

Center the bottom striker opening on the deadbolt marks on the z-bar. Center the openings in the striker horizontally over the openings in the z-bar. Mark the center of the two (2) slotted mounting holes and remove the striker. Center punch and drill 3/32" hole at each location marked.

Place the striker on the z-bar and secure it with two (2) #6 x 1/2" screws.



STRIKER PLATE SCREW - 4 REQUIRED  
#6 x 1/2" PHILLIPS FLAT HEAD SCREW

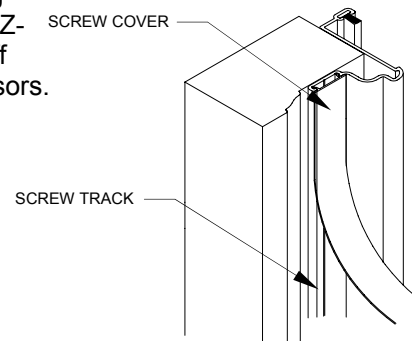


Check the latch and deadbolt for proper function. If necessary, adjust the striker forward or back until the door latches properly. With the striker screws tightened center punch and drill two (2) 3/32" holes through the two (2) center mounting holes in the striker. Secure in place with 2 (2) #6 x 1/2" screws.

Close the door to check for deadbolt clearance. Slowly extend the deadbolt by turning the thumbturn knob. If the deadbolt makes contact with the primary door jamb, even slightly, chisel a recess into the door jamb. Chisel the recess deep and wide enough to provide adequate clearance for the deadbolt. **CAUTION: DO NOT FORCE THE DEADBOLT OPEN IF IT MAKES CONTACT WITH THE DOOR JAMB.**

## 8. INSTALL SCREW COVER:

Place the edge of the screw cover over the track at the top of the Z-bar. Using your thumb, press the screw cover into the track along the entire length of the Z-bar. Making sure that the screw cover is flush with the top of the Z-bar, trim off any excess at the bottom of the Z-bar with a razor knife or a sharp pair of scissors. If desired, the area between the Z-bar and the jamb can be caulked.



**EMCO SPECIALTIES, INC.**  
P.O. Box 853 Des Moines, Iowa 50304  
1-800-933-3626