

Replacement Guide

EMCO®

For Retractable Insect Screen and Insect Screen Retainers on EMCO® Wood Core Self-Storing Door with Retractable Insect Screen

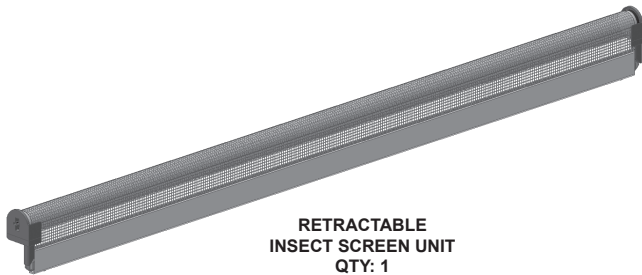
IMPORTANT

READ ENTIRE GUIDE BEFORE BEGINNING INSTALLATION. Please handle your components with care to avoid damage and/or scratches.

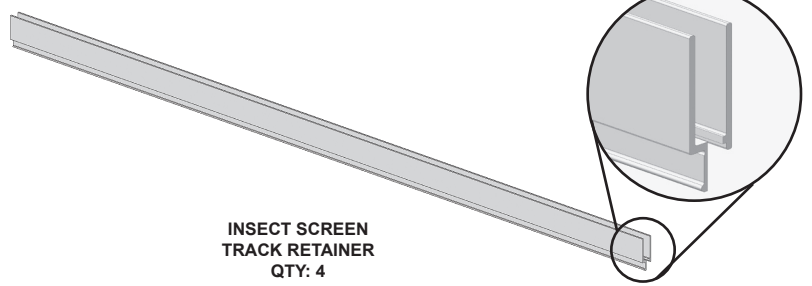
PLEASE NOTE: Proper assembly, installation and maintenance are essential if the benefits of your Andersen® product are to be fully attained. Therefore, please read and follow this guide completely. If your abilities do not match this procedure's requirements, contact an experienced contractor.

You may direct any questions to the Solution Center at 1-800-933-3626.

PARTS LIST



RETRACTABLE
INSECT SCREEN UNIT
QTY: 1



INSECT SCREEN
TRACK RETAINER
QTY: 4

RECOMMENDED TOOLS

WARNING

Improper use of hand or power tools could result in injury and/or product damage. Follow equipment manufacturer's instructions for safe operation. Always wear safety glasses.

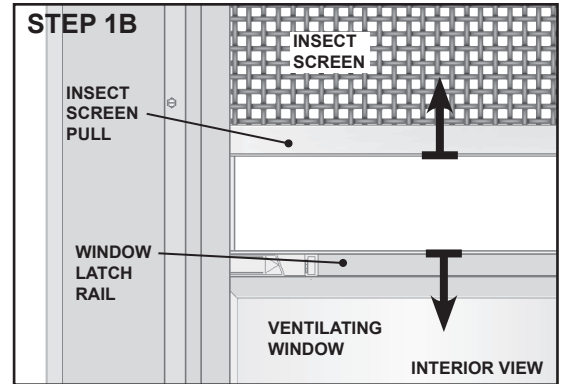
- Safety glasses
- Flat head screwdriver
- Pliers

1. DETACH RETRACTABLE INSECT SCREEN FROM VENTILATING WINDOW

WARNING

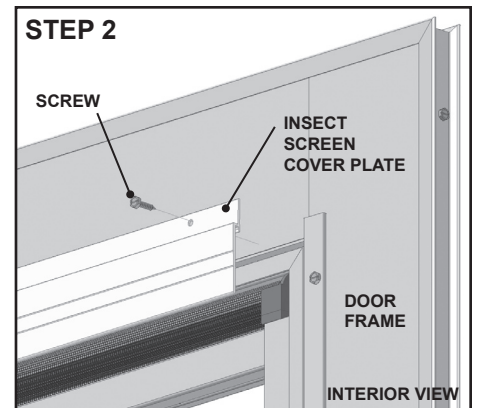
The retractable insect screen is stored inside the door with a highly tightened spring. If released, insect screen may release suddenly causing injury or product damage. Maintain a firm grasp when detaching the insect screen from the window.

- A. A slight pull down and inwards will detach the insect screen pull from the window latch rail. Maintain a firm grasp on the insect screen pull when detaching from the window.
- B. Raise the insect screen slowly until the insect screen pull is at the top of the window opening.
- C. Move the ventilating window to the lowest position.



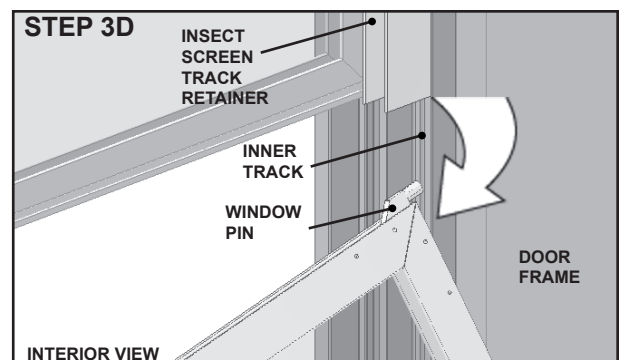
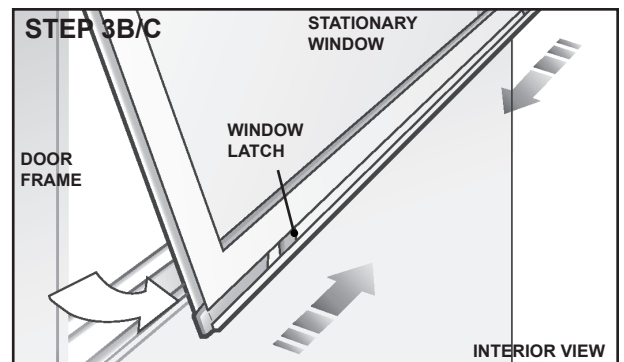
2. REMOVE INSECT SCREEN COVER PLATE

- A. Using a flat head screwdriver, remove screws from the insect screen cover plate.
- B. Once loose, the insect screen cover plate may be removed by lifting up and towards you. If required for removal, hold insect screen cover plate with one hand while lightly tapping up on end.
- C. Place insect screen cover plate and screws aside, to be reinstalled later.



3. REMOVE STATIONARY WINDOW

- A. Raise the stationary "lower" window up slightly until it touches the bottom of the insect screen track retainers.
- B. Slide the window latches on the bottom of the stationary window toward each other.
- C. While holding the latches in, lift the lower portion of the stationary window toward you.
- D. Rotate the stationary window clockwise to remove the pins from the inner tracks.
- E. Place stationary window aside, to be reinstalled later.

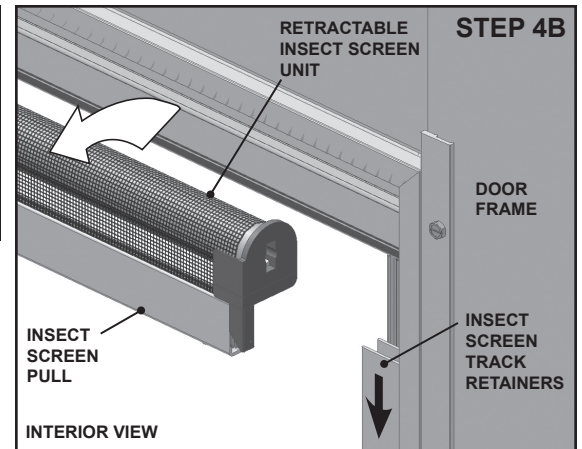


4. REMOVE RETRACTABLE INSECT SCREEN UNIT

WARNING

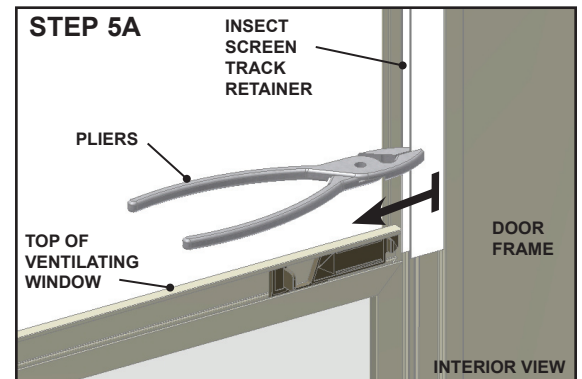
The retractable insect screen is stored behind the insect screen cover plate and is secured in place by the insect screen track retainers. While sliding down the final insect screen track retainer, be sure to hold onto the retractable insect screen unit to avoid the possibility of it falling. Failure to do so may result in injury or product damage.

- A. To remove the retractable insect screen unit, first slide down the right side insect screen track retainer approximately 2". Repeat for the other side, holding retractable insect screen unit in place while sliding down the insect screen track retainer.
- B. Slide fingers up behind insect screen pull of the retractable insect screen unit and behind retractable insect screen unit itself and roll the top of the unit out toward you to remove. Top of retractable insect screen unit must come out first to be removed.
- C. Properly dispose of retractable insect screen unit.



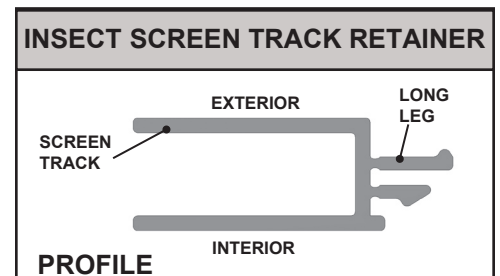
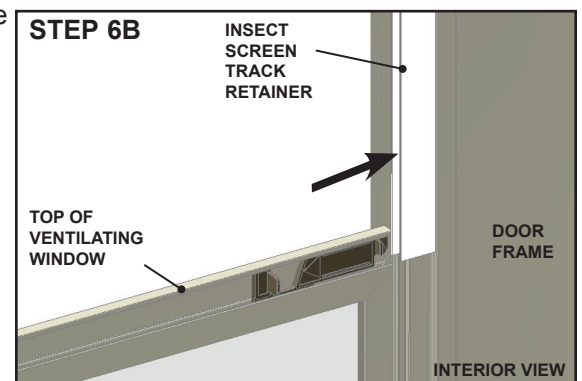
5. REMOVE INSECT SCREEN TRACK RETAINERS

- A. Using pliers and starting at the bottom, pull the right insect screen track retainer out from the door frame. Work your way up the entire insect screen track retainer until completely loosened.
- B. Repeat step 5A to remove the left insect screen track retainer.
- C. Properly dispose of insect screen track retainers.



6. INSTALL REPLACEMENT INSECT SCREEN TRACK RETAINERS

- A. Select the appropriate length insect screen track retainer by comparing the length of the original retainers to the length of the new insect screen track retainers.
- B. Orient the insect screen track retainer with the longer leg towards the exterior side of the door. Position the bottom of the retainer at the top of the ventilating window.
- C. To snap in the insect screen track retainer, start at the bottom and work progressively up. Use your thumbs to press the retainer into the door frame channel. The insect screen track retainer should snap into place.
- D. Repeat steps 6A through 6C to install the other insect screen track retainer.

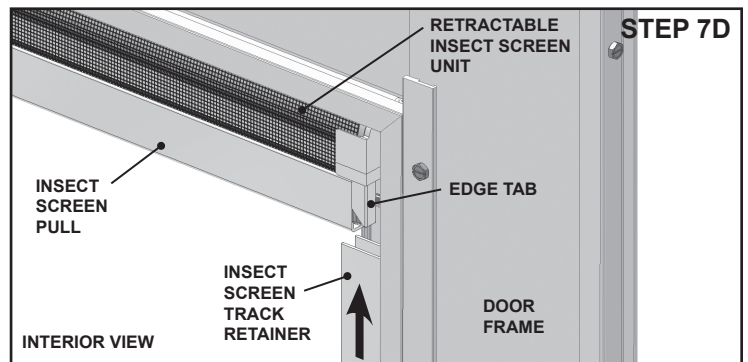
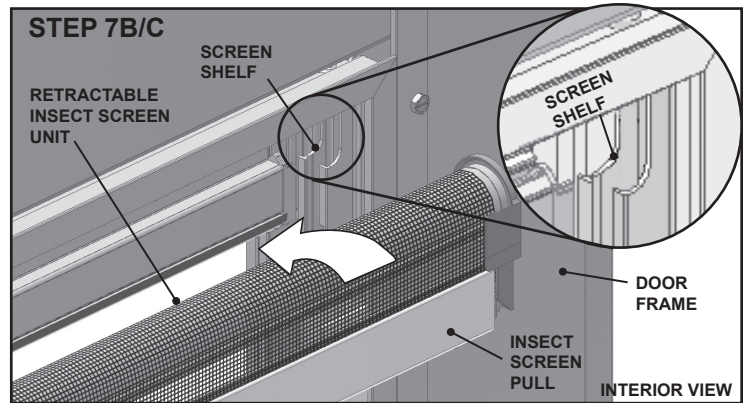


7. INSTALL REPLACEMENT RETRACTABLE INSECT SCREEN UNIT

! WARNING

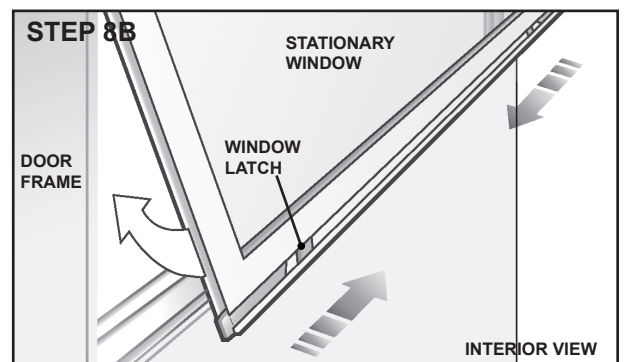
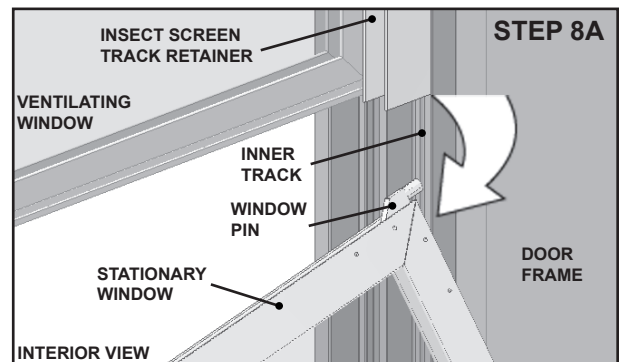
The retractable insect screen is secured in place by the insect screen track retainers. While sliding up the insect screen track retainers, be sure to hold onto the retractable insect screen unit to prevent it from falling. Failure to do so may result in injury or product damage.

- A. Remove and properly dispose of the rubber band from the retractable insect screen unit.
- B. Position replacement retractable insect screen unit with the insect screen pull down and towards the interior of the home.
- C. Place retractable insect screen unit into frame opening with top of retractable insect screen unit tilted slightly toward you and then roll top of retractable insect screen unit away from you, onto screen shelf at each end, to install. Top of retractable insect screen unit must go in last to be installed.
- D. While holding the retractable insect screen unit in place, slide the insect screen track retainer up over the insect screen pull and edge tab of the retractable insect screen unit. Repeat to install other insect screen track retainer on the opposite side.



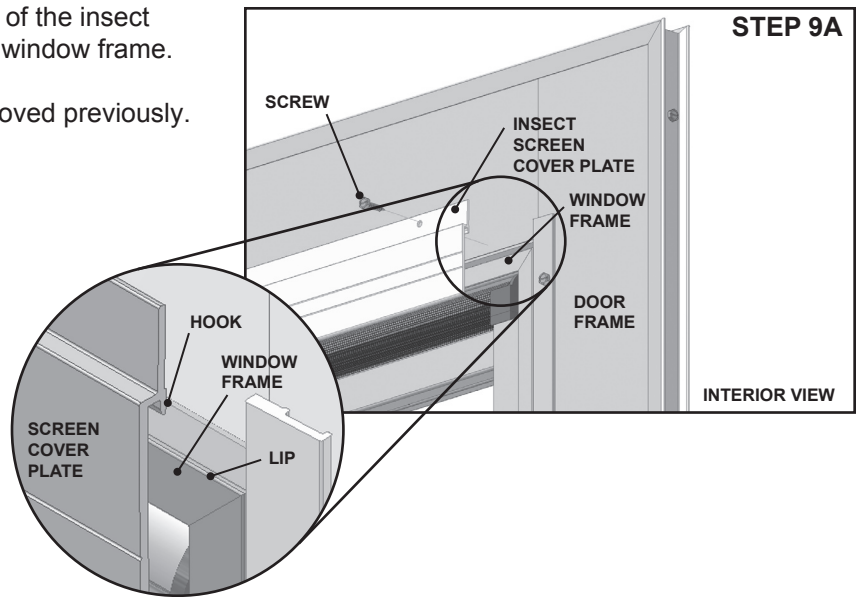
8. REINSTALL STATIONARY WINDOW

- A. Angle stationary window and insert top window pins into inner tracks. Raise stationary window until top of window seats into bottom of insect screen track retainers.
- B. Slide the window latches on the bottom of the stationary window toward each other. Rotate stationary window into place. Release latches to secure stationary window in frame.



9. REINSTALL INSECT SCREEN COVER PLATE

- A. Position insect screen cover plate so that the hook of the insect screen cover plate fits over the lip at the top of the window frame.
- B. Align holes and fasten with the two (2) screws removed previously.



10. REATTACH RETRACTABLE INSECT SCREEN TO VENTILATING WINDOW

WARNING

The retractable insect screen is stored inside the door with a highly tightened spring. If released, insect screen may release suddenly causing injury or product damage. Maintain a firm grasp when attaching the insect screen to the window.

- A. Raise the ventilating window to approximately eye level.
- B. To position the insect screen and window, lower the insect screen pull. Pull the insect screen pull down over the top of the window latch rail. A slight pull towards you will allow the screen pull lip to maneuver around the window latch rail.
- C. A slight push outwards will align the insect screen pull lip and window latch rail. Raise the insect screen slightly. The insect screen will be fully engaged when the window latch rail is interlocked with the insect screen pull lip.

